

# BASIC ENGINE

## 224-3881 CRANKSHAFT GP

S/N: PW31-UP

SMCS - 1202

i05843769

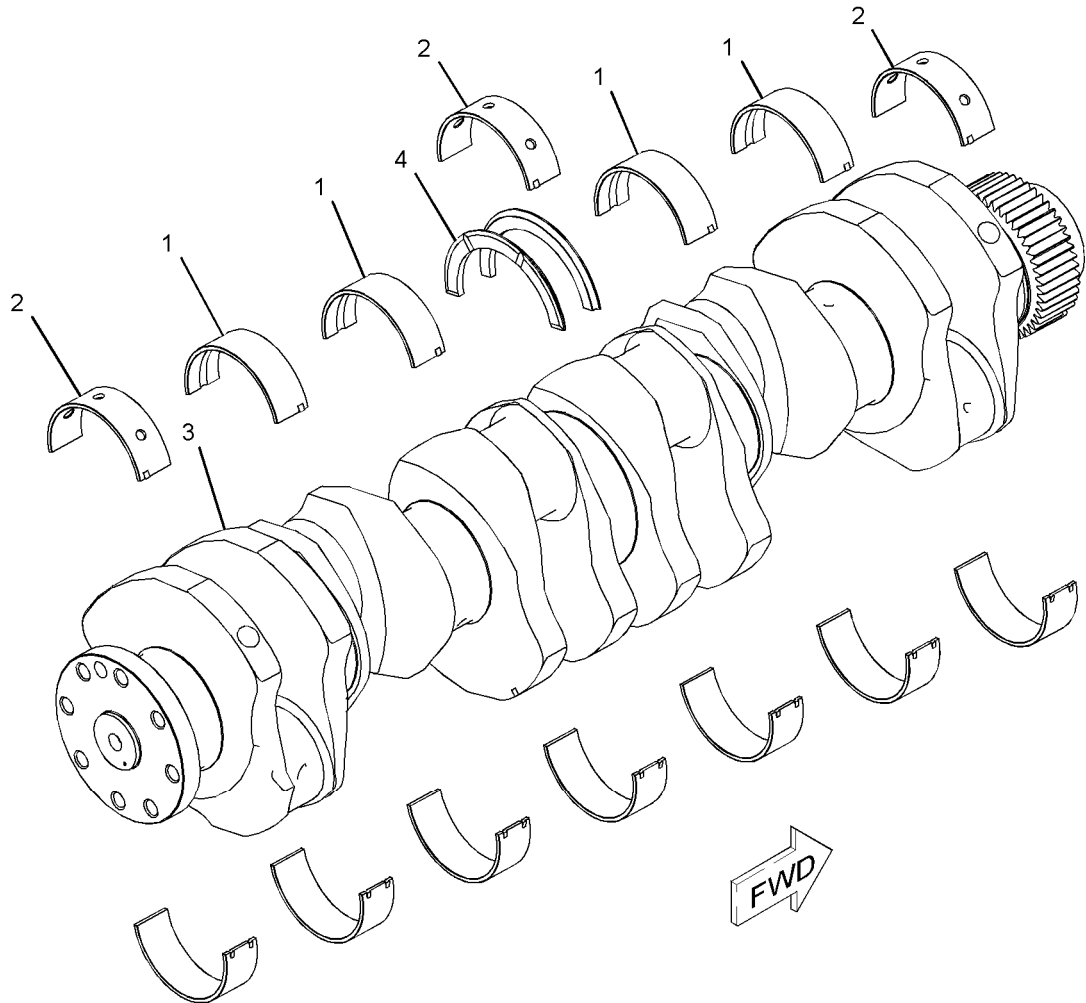
NOTE	REF NO	GRAPHIC REF	PART NUMBER	QTY	PART NAME						SEE PAGE
					1	2	3	4	5	6	
J	1	1	<b>211-0587</b>	4	BEARING-MAIN (STANDARD)						
AB		1	<b>128-0400</b>		BEARING-MAIN (0.51-MM US)						
AB		1	<b>128-0401</b>		BEARING-MAIN (0.76-MM US)						
AB		1	<b>128-0402</b>		BEARING-MAIN (0.51-MM OS)						
AB		1	<b>128-0403</b>		BEARING-MAIN (0.51-MM OS, 0.51-MM US)						
J	2	1	<b>211-0588</b>	3	BEARING-MAIN (STANDARD)						
AB		1	<b>128-0382</b>		BEARING-MAIN (0.51-MM US)						
AB		1	<b>128-0383</b>		BEARING-MAIN (0.76-MM US)						
AB		1	<b>128-0384</b>		BEARING-MAIN (0.51-MM OS)						
AB		1	<b>128-0385</b>		BEARING-MAIN (0.51-MM OS, 0.51-MM US)						
R	3	1	<b>313-3997</b>	1	CRANKSHAFT AS						
		1	<b>6V-3536</b>	1	DOWEL						
		1	<b>9Y-0810</b>	1	SLEEVE-WEAR (REAR)						
		1	<b>9Y-0821</b>	1	SLEEVE (FRONT)						
		1	<b>187-8972</b>	1	GEAR-CRANKSHAFT (48-TEETH)						
J	4	1	<b>246-3144</b>	2	PLATE-THRUST						
					AVAILABLE REPAIR KIT(S):						
J			<b>243-6717</b>	1	KIT-CRANKSHAFT BEARING (STANDARD)						
					(INCLUDES MAIN BEARINGS & THRUST PLATES)						

A - NOT PART OF THIS GROUP  
 B - USE AS REQUIRED  
 J - KIT MARKED J INCLUDES PART(S) MARKED J  
 R - REMANUFACTURED PART MAY BE AVAILABLE

# BASIC ENGINE

224-3881 CRANKSHAFT GP (contd.)

105843769



GRAPHIC #1

<END>

g01101434

# BASIC ENGINE

## 361-4766 CYLINDER BLOCK AS

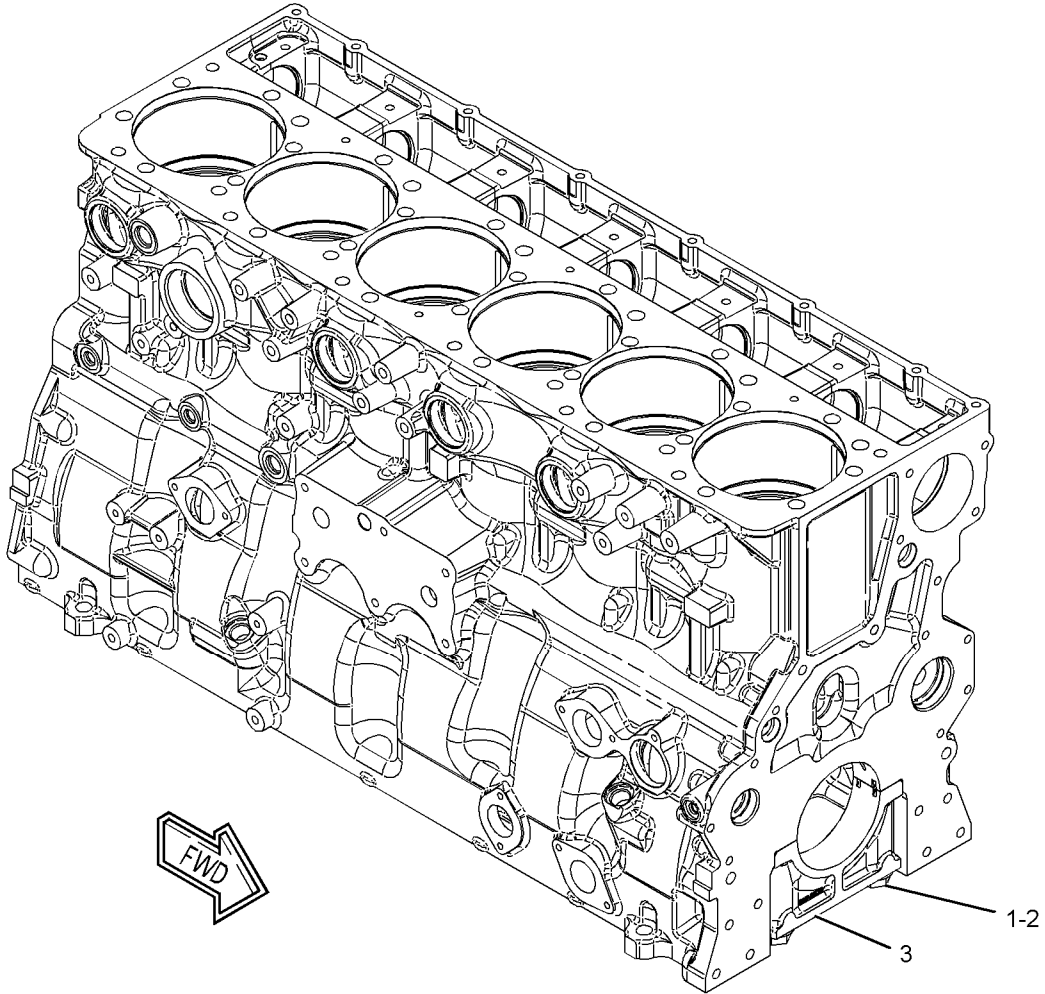
S/N: PW31-UP

PART OF 361-4767 CYLINDER BLOCK AS

SMCS-1201

i04338550

NOTE	REF NO	GRAPHIC REF	PART NUMBER	QTY	PART NAME						SEE PAGE
					1	2	3	4	5	6 (PRODUCT LEVEL)	
	1	1	<b>223-6546</b>	14	BOLT (M18X2.5X170-MM)						
	2	1	<b>293-9397</b>	14	WASHER-HARD (19X34X3.5-MM THK)						
	3	1	<b>207-8572</b>	7	CAP-BEARING						



GRAPHIC #1

<END>

g01338467

# BASIC ENGINE

## 361-4767 CYLINDER BLOCK AS

S/N: PW31-UP

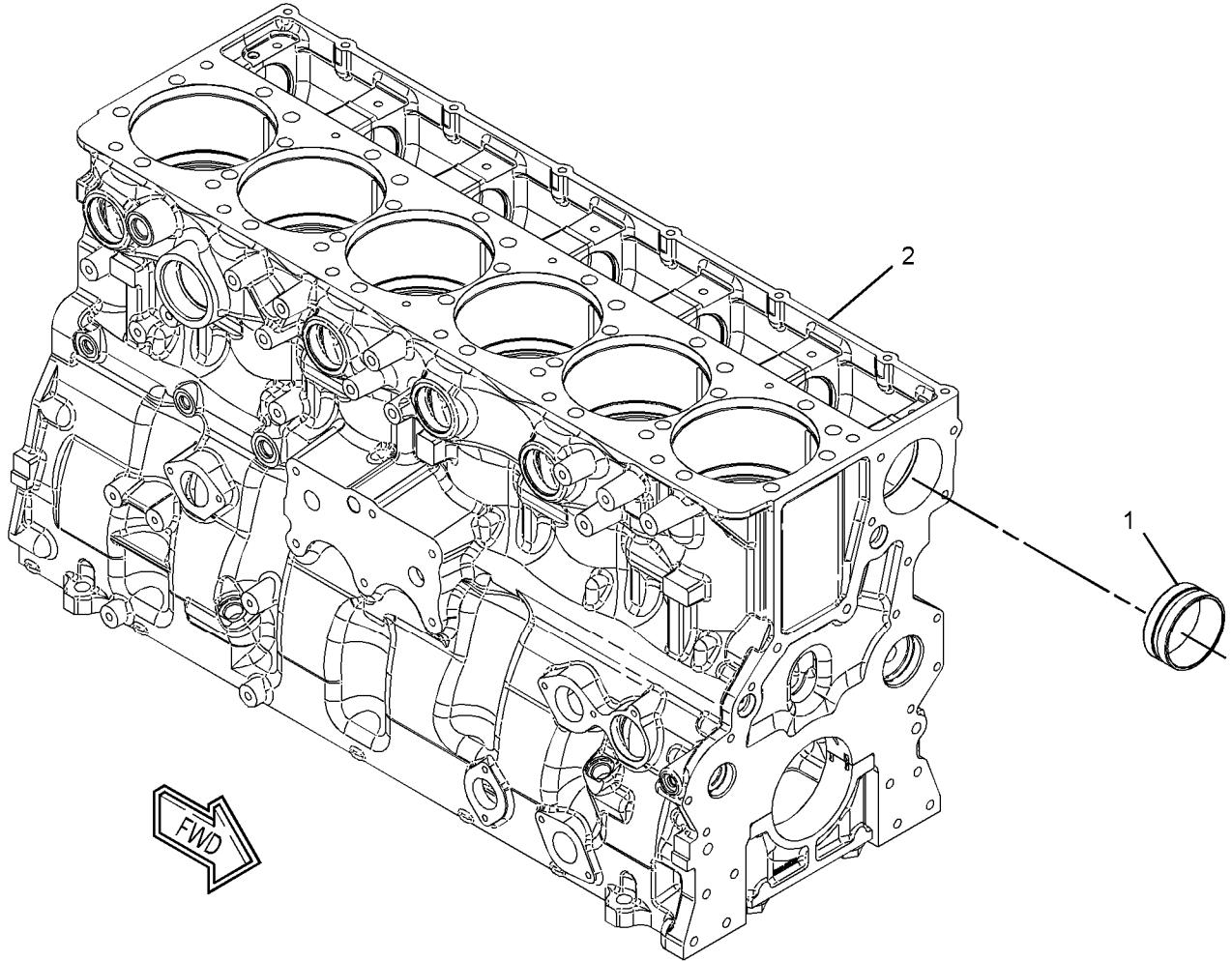
PART OF 517-1983 CYLINDER BLOCK AS

SMCS-1201

i04338255

NOTE	REF NO	GRAPHIC REF	PART NUMBER	QTY	PART NAME						SEE PAGE
					1	2	3	4	5	6 (PRODUCT LEVEL)	
	1	1	<b>187-8969</b>	7	BEARING						
Y	2	1	361-4766	1	CYLINDER BLOCK AS						14

Y - SEPARATE ILLUSTRATION



GRAPHIC #1

<END>

g01338428

# BASIC ENGINE

## 517-1983 CYLINDER BLOCK AS

S/N: PW31-UP

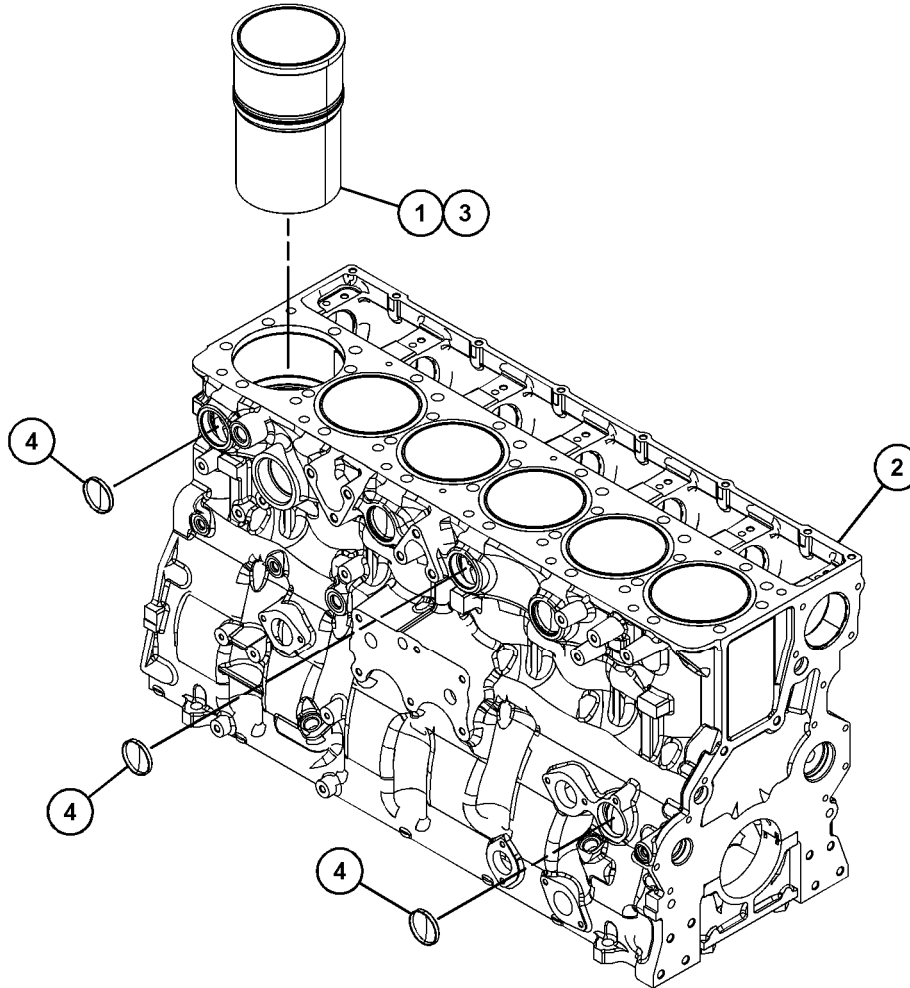
PART OF 240-7271 CYLINDER BLOCK GP

SMCS-1201

i06938108

NOTE	REF NO	GRAPHIC REF	PART NUMBER	QTY	PART NAME						SEE PAGE
					1	2	3	4	5	6 (PRODUCT LEVEL)	
	1	1	<b>469-5315</b>	6	LINER-CYLINDER						
Y	2	1	<b>361-4767</b>	1	CYLINDER BLOCK AS						15
	3	1	<b>437-1409</b>	6	SEAL-LINER						
	4	1	<b>4F-5695</b>	5	PLUG-CUP						

Y - SEPARATE ILLUSTRATION



GRAPHIC #1

<END>

g06185339

# BASIC ENGINE

## 240-7271 CYLINDER BLOCK GP\*R S/N: PW31-UP

**SMCS-1201**

**i07175275**

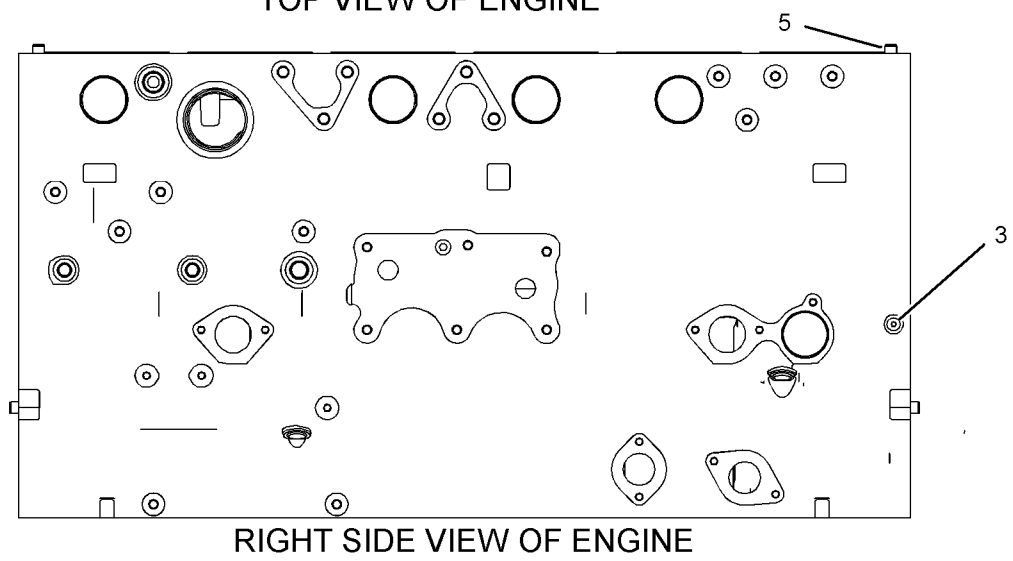
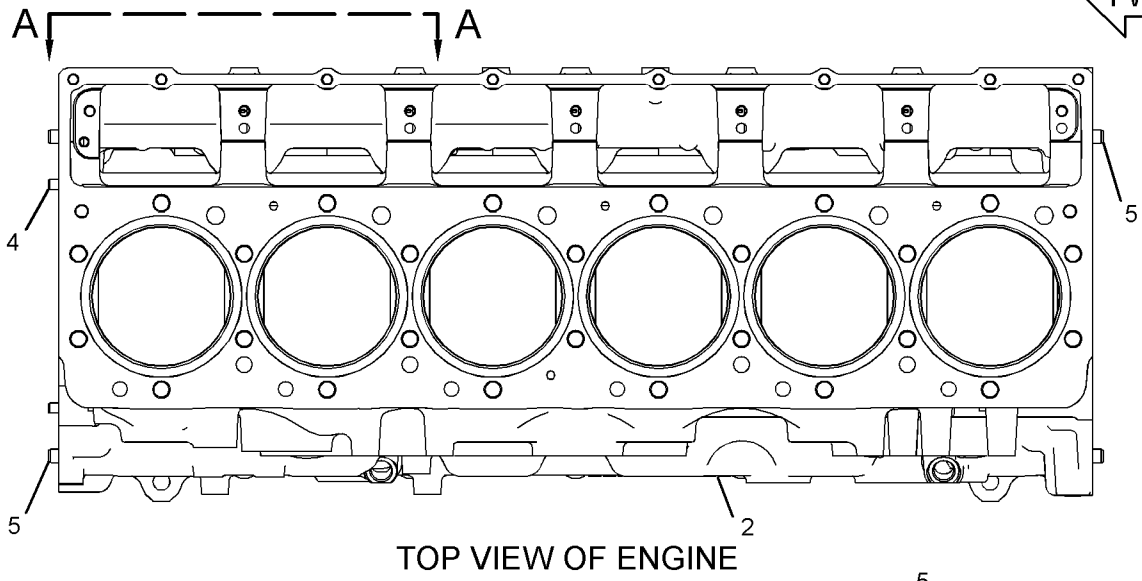
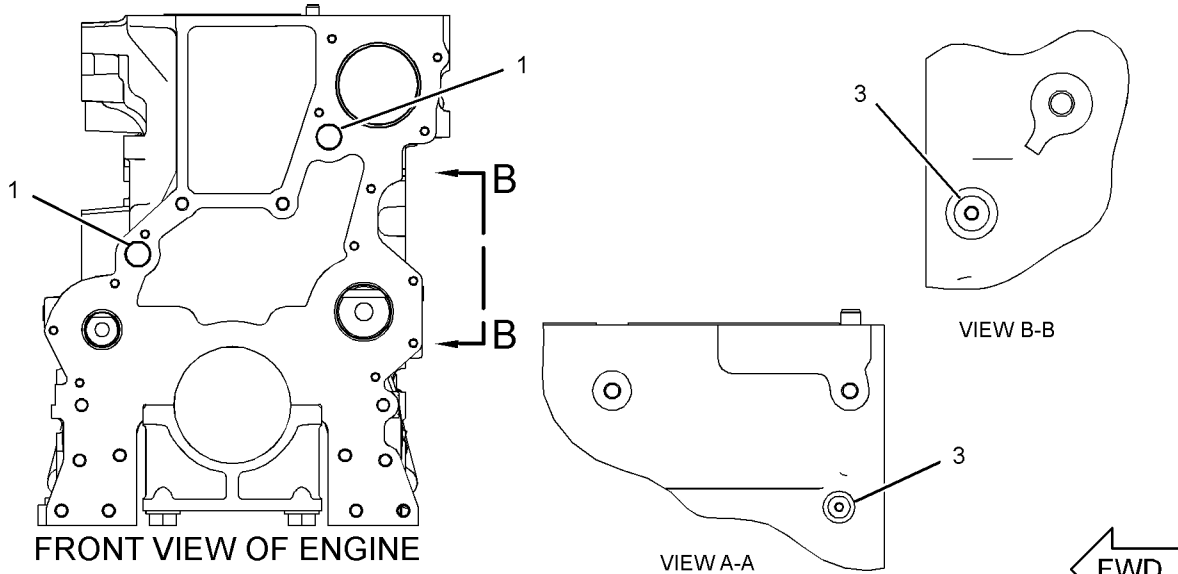
NOTE	REF NO	GRAPHIC REF	PART NUMBER	QTY	PART NAME						SEE PAGE
					1	2	3	4	5	6 (PRODUCT LEVEL)	
	1	1	<b>3B-0623</b>	3	PLUG-CUP						
CY	2	1	<b>517-1983</b>	1	CYLINDER BLOCK AS						16
	3	1	396-0393	3	PLUG AS						
					(EACH INCLUDES)						
		1	<b>214-7566</b>	1	SEAL-O-RING						
		1	<b>360-3677</b>	1	PLUG (7/16-20-THD)						
	4	1	<b>6V-3538</b>	2	DOWEL						
	5	1	<b>7N-5683</b>	6	DOWEL						

C - CHANGE FROM PREVIOUS TYPE  
Y - SEPARATE ILLUSTRATION

# BASIC ENGINE

240-7271 CYLINDER BLOCK GP (contd.)

107175275



GRAPHIC #1

<END>

g03320217

# BASIC ENGINE

## 346-1999 CYLINDER HEAD AS

S/N: PW31-UP

PART OF 302-2202 CYLINDER HEAD GP

SMCS-1100, 1101

i05340373

NOTE	REF NO	GRAPHIC REF	PART NUMBER	QTY	PART NAME						SEE PAGE
					1	2	3	4	5	6 (PRODUCT LEVEL)	
	1	2	<b>224-1270</b>	12	INSERT-VALVE SEAT (EXHAUST) (STANDARD)						
AB		2	<b>254-3944</b>		INSERT-VALVE SEAT (0.51-MM OS)						
AB		2	<b>331-5010</b>		INSERT-VALVE SEAT (0.13-MM OS)						
AB		2	<b>331-5011</b>		INSERT-VALVE SEAT (0.26-MM OS)						
	2	2	<b>224-2410</b>	12	INSERT-VALVE SEAT (INLET) (STANDARD)						
AB		2	<b>254-3943</b>		INSERT-VALVE SEAT (0.51-MM OS, INLET)						
AB		2	<b>314-3055</b>		INSERT-VALVE SEAT (SHORT 0.5-MM)						
AB		2	<b>314-3056</b>		INSERT-VALVE SEAT (0.13-MM OS)						
AB		2	<b>314-3057</b>		INSERT-VALVE SEAT (0.13-MM OS)						
AB		2	<b>314-3058</b>		INSERT-VALVE SEAT (0.26-MM OS)						
AB		2	<b>314-3060</b>		INSERT-VALVE SEAT (1.26-MM OS, INLET)						
AB		2	<b>314-3061</b>		INSERT-VALVE SEAT (0.51-MM OS, INLET)						
	3	2	<b>263-4920</b>	6	SLEEVE-INJECTOR (INLET)						
	4	2	<b>277-9775</b>	24	GUIDE-VALVE						
	5	2	<b>9X-7430</b>	6	SEAL-O-RING						
	6	2	<b>166-2904</b>	12	SEAL-O-RING						
	7	1,2	<b>183-3407</b>	7	PLUG AS						
					(EACH INCLUDES)						
		1,2	<b>9S-8004</b>	1	PLUG (9/16-18-THD)						
		1,2	<b>214-7568</b>	1	SEAL-O-RING						
	8	1,2	<b>3B-0623</b>	35	PLUG-CUP						
	9	2	<b>353-5140</b>	1	PLUG AS						
		2	<b>6V-5063</b>	1	SEAL-O-RING						
		2	<b>9S-8008</b>	1	PLUG (1-1/16-12-THD)						

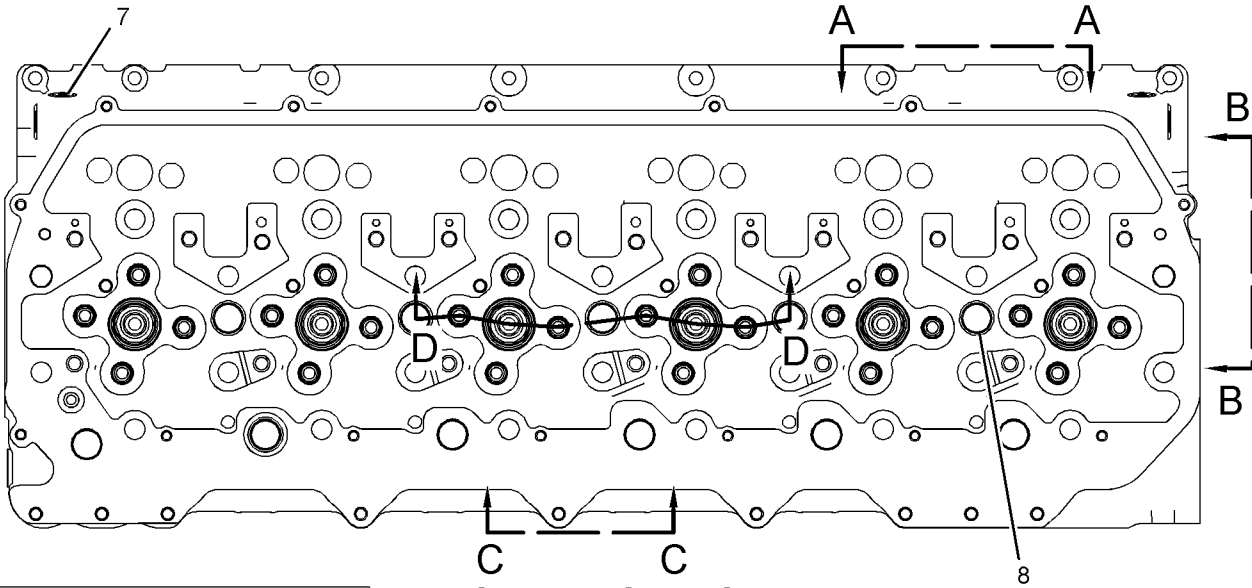
A - NOT PART OF THIS GROUP  
 B - USE AS REQUIRED



# BASIC ENGINE

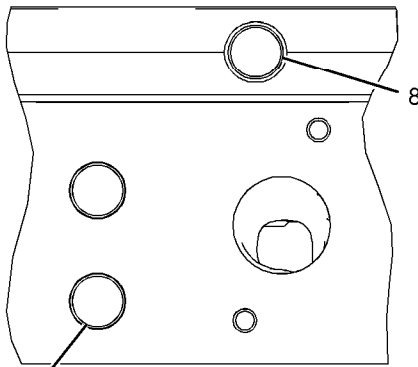
346-1999 CYLINDER HEAD AS (contd.)

105340373

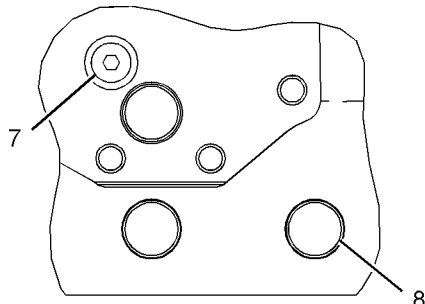


TOP VIEW OF ENGINE

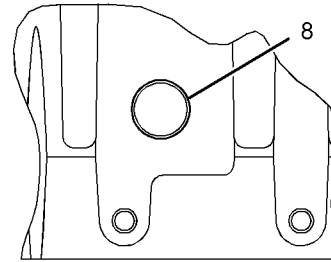
REFER TO ALL ILLUSTRATIONS OF THIS GROUP FOR AUXILIARY VIEWS



VIEW C-C



VIEW B-B



VIEW A-A

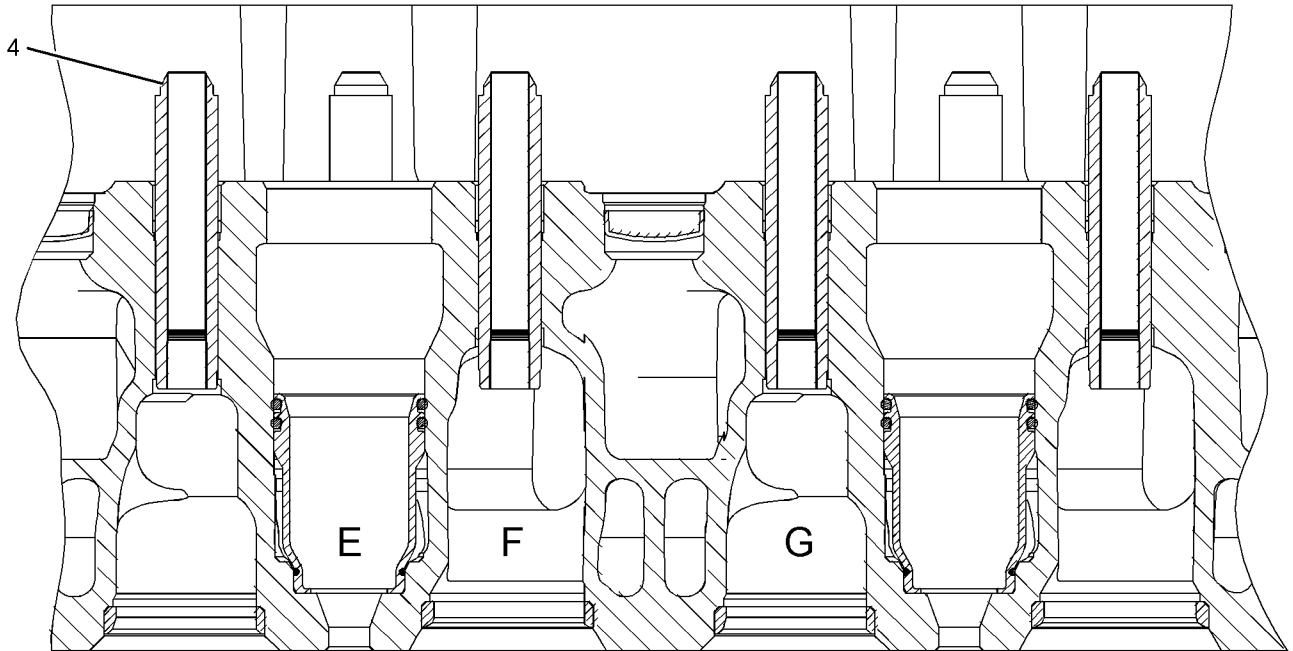
GRAPHIC #1

g03392643

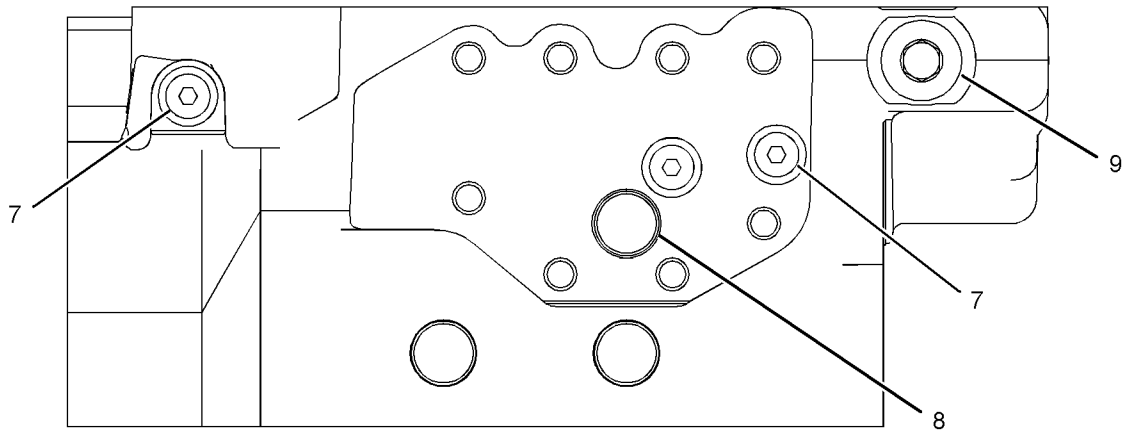
# BASIC ENGINE

346-1999 CYLINDER HEAD AS (contd.)

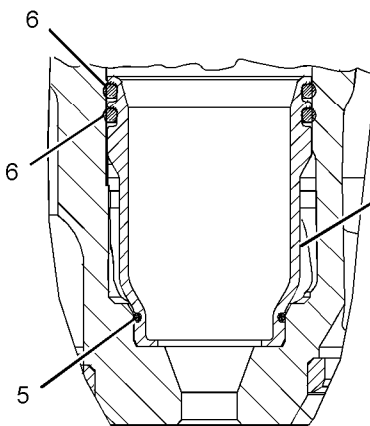
105340373



SECTION D-D

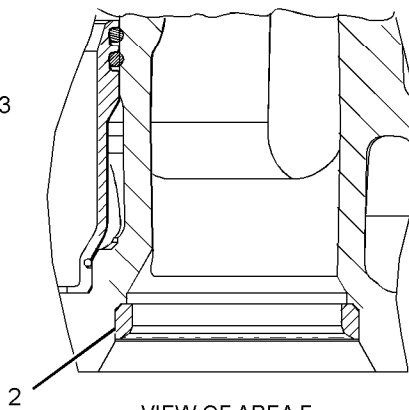


REAR VIEW OF ENGINE



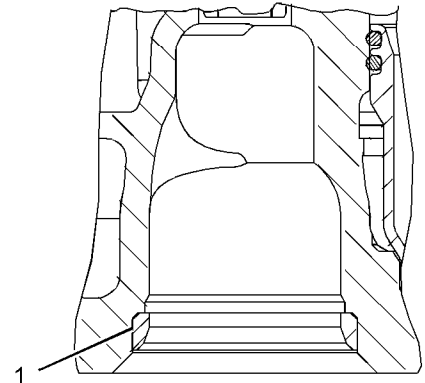
VIEW OF AREA E

GRAPHIC #2



VIEW OF AREA F

<END>



VIEW OF AREA G

g03392644

# BASIC ENGINE

## 302-2202 CYLINDER HEAD GP

S/N: PW31-UP

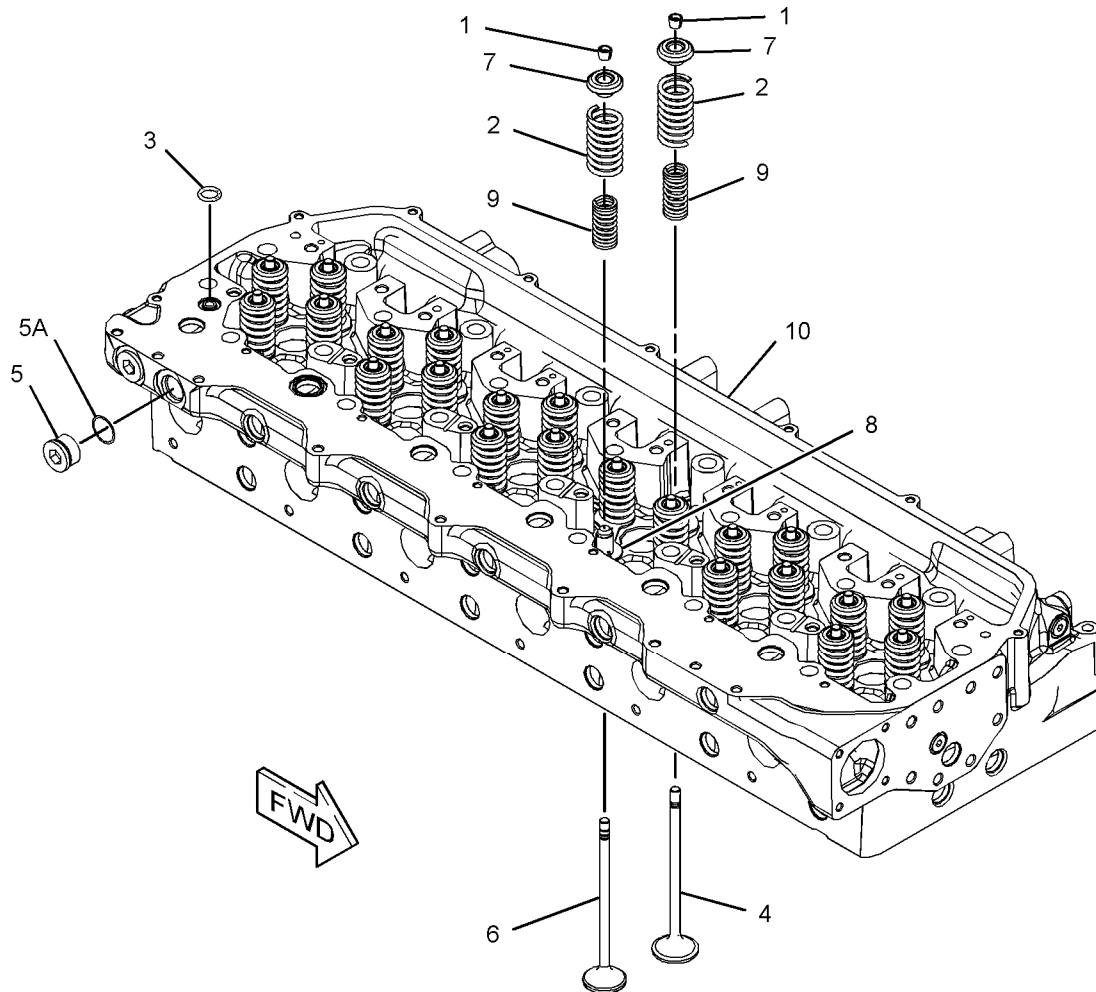
PART OF 302-2224 CYLINDER HEAD GP

SMCS-1100

i07684879

NOTE	REF NO	GRAPHIC REF	PART NUMBER	QTY	PART NAME						SEE PAGE
					1	2	3	4	5	6	
	1	1	<b>2A-4429</b>	48	LOCK-RETAINER						
	2	1	<b>332-2152</b>	24	SPRING-VALVE						
	3	1	<b>5P-5598</b>	1	SEAL-O-RING						
	4	1	<b>252-7802</b>	12	VALVE-INLET						
	5	1	<b>353-5140</b>	2	PLUG AS						
					(EACH INCLUDES)						
		1	<b>9S-8008</b>	1	PLUG (1-1/16-12-THD)						
	5A	1	<b>6V-5063</b>	1	SEAL-O-RING						
	6	1	<b>248-1467</b>	12	VALVE-EXHAUST						
	7	1	<b>7E-7977</b>	24	ROTOCOIL AS						
					(EACH INCLUDES)						
		1	<b>7E-7978</b>	1	SHIELD						
		1	<b>7C-8581</b>	1	ROTOCOIL AS						
	8	1	<b>224-3125</b>	12	BASE						
	9	1	<b>224-4441</b>	24	SPRING (VALVE)						
CY	10	1	<b>346-1999</b>	1	CYLINDER HEAD AS						19

C - CHANGE FROM PREVIOUS TYPE  
Y - SEPARATE ILLUSTRATION



GRAPHIC #1

<END>

g02121554

# BASIC ENGINE

## 302-2224 CYLINDER HEAD GP

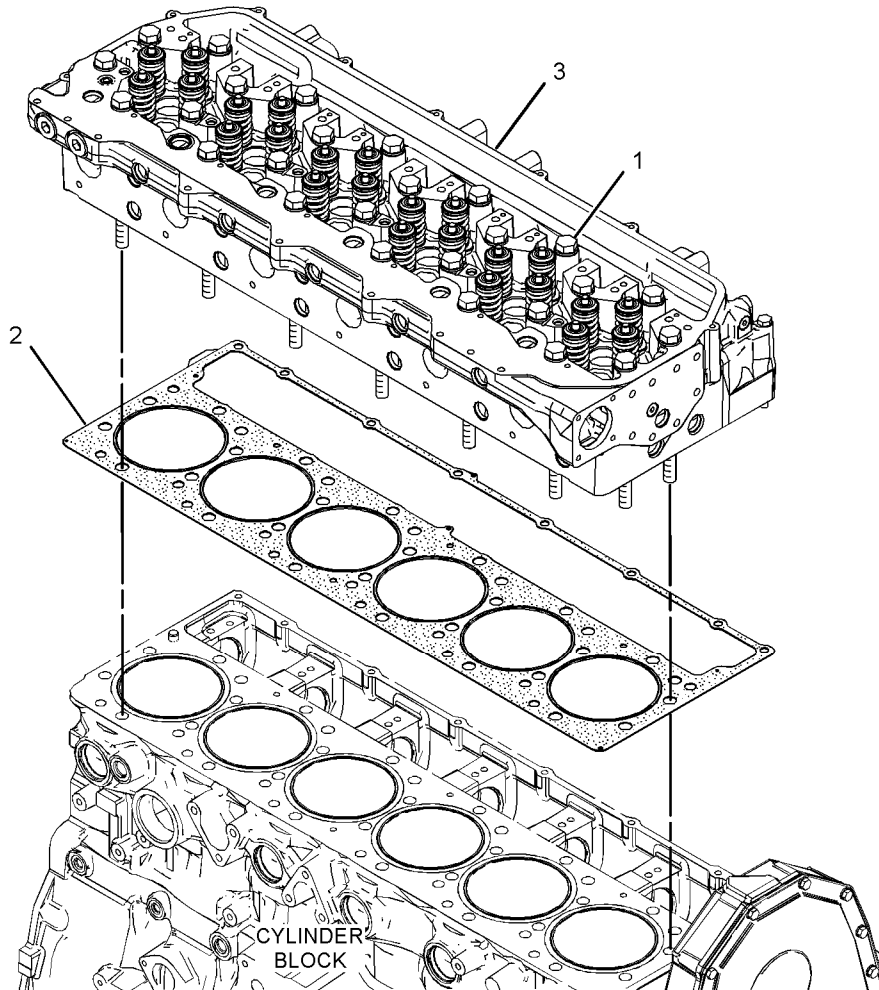
S/N: PW31-UP

SMCS-1100

i03569316

NOTE	REF NO	GRAPHIC REF	PART NUMBER	QTY	PART NAME						SEE PAGE
					1	2	3	4	5	6 (PRODUCT LEVEL)	
Y	1	1	198-4963	1	FASTENER GP-CYLINDER HEAD						28
	2	1	221-9392	1	GASKET						
Y	3	1	302-2202	1	CYLINDER HEAD GP						22

Y - SEPARATE ILLUSTRATION



GRAPHIC #1

<END>

g01914645

# BASIC ENGINE

## 288-4548 DAMPER & PULLEY GP

S/N: PW31-UP

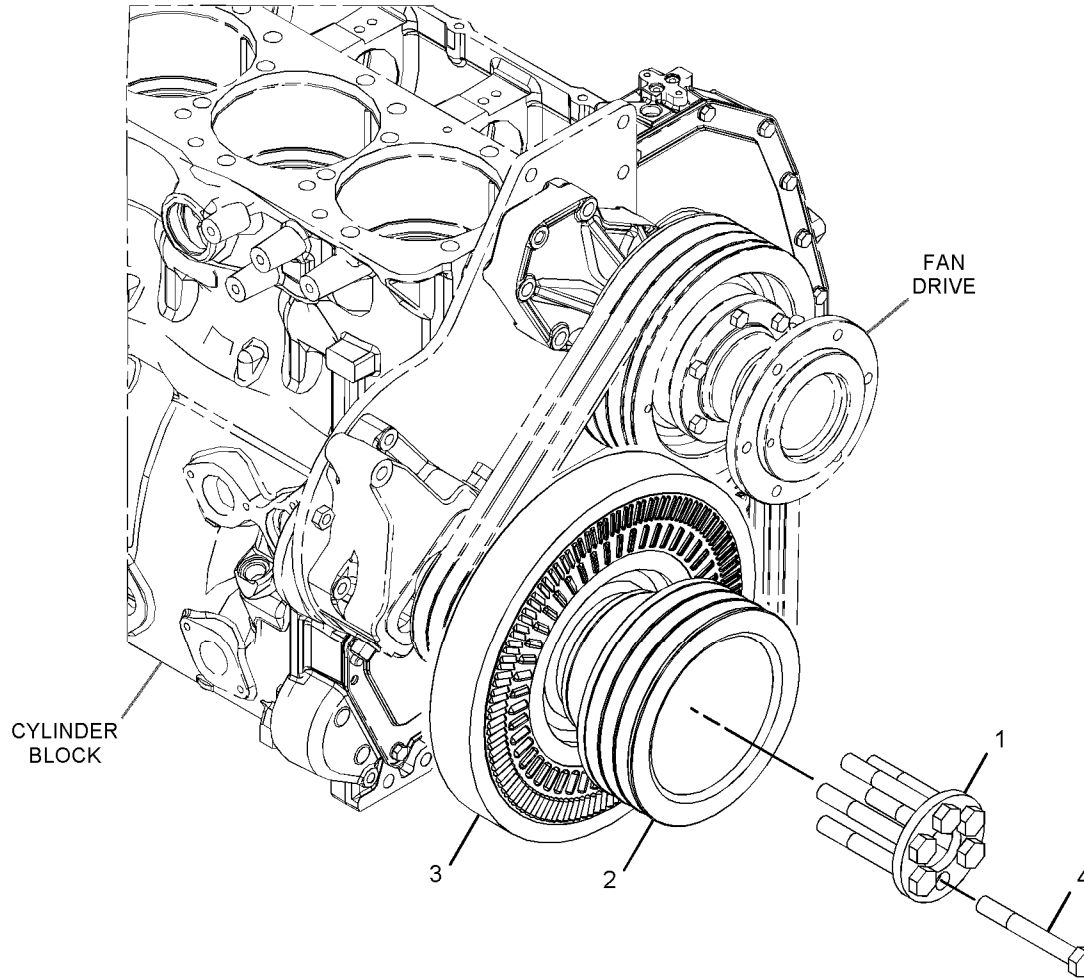
PART OF 434-3726 ENGINE AR-COMplete

SMCS-1205

i05751681

NOTE	REF NO	GRAPHIC REF	PART NUMBER	QTY	PART NAME						SEE PAGE
					1	2	3	4	5	6 (PRODUCT LEVEL)	
	1	1	<b>213-1585</b>	1	SPACER (10.5-MM THK)						
	2	1	<b>299-3112</b>	1	PULLEY						
	3	1	<b>380-6681</b>	1	DAMPER AS						
M	4	1	<b>8T-4174</b>	6	BOLT (M16X2X120-MM)						

M - METRIC PART



GRAPHIC #1

<END>

g02949638

# BASIC ENGINE

## 306-9751 DRIVE GP-FAN

S/N: PW31-UP

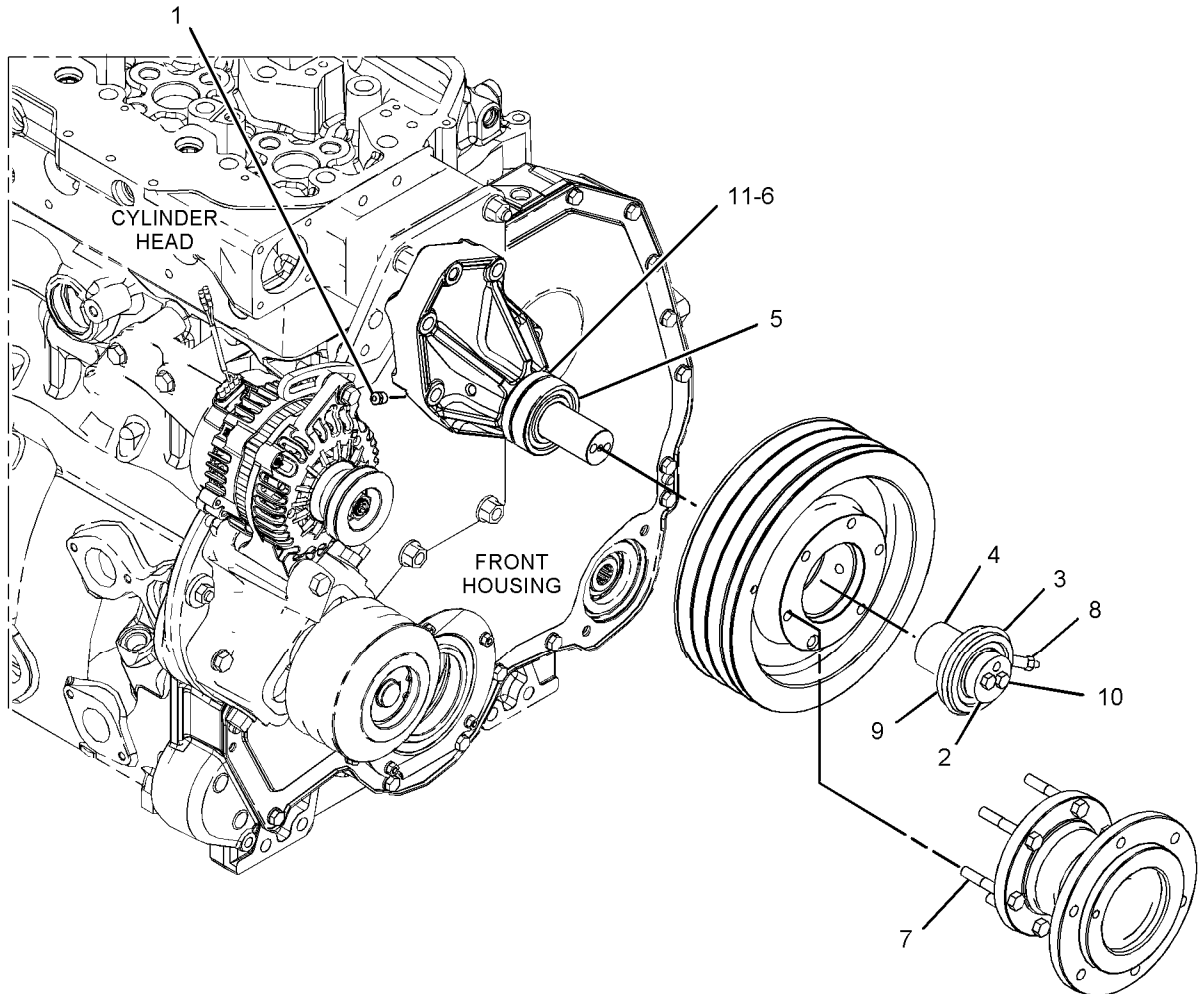
PART OF 502-6975 DRIVE GP-FAN

SMCS-1359

i05373234

NOTE	REF NO	GRAPHIC REF	PART NUMBER	QTY	PART NAME						SEE PAGE
					1	2	3	4	5	6 (PRODUCT LEVEL)	
	1	1	<b>6U-1989</b>	1	VALVE-RELIEF						
	2	1	<b>7N-2900</b>	1	RETAINER						
	3	1	<b>9F-4446</b>	1	SEAL-O-RING						
	4	1	<b>8N-5305</b>	1	SPACER (35.6X47.62X43.74-MM THK)						
	5	1	<b>8H-9789</b>	1	BALL BEARING						
	6	1	<b>5S-9062</b>	1	SPACER (35.032X50.8X15.88-MM THK)						
	7	1	<b>0L-1143</b>	6	BOLT (3/8-16X2.5-IN)						
	8	1	<b>2D-4867</b>	1	FITTING-GREASE (1/8-27 PTF)						
	9	1	<b>3L-1425</b>	1	BALL BEARING						
	10	1	<b>5P-7979</b>	2	BOLT-LOCKING (5/16-24X2.25-IN)						
	11	1	<b>5S-2106</b>	1	SEAL-LIP TYPE						

PARTS SHOWN IN GRAPHIC(S) WITHOUT A REFERENCE NUMBER ARE NOT SERVICED SEPARATELY



GRAPHIC #1

<END>

g03402875

# BASIC ENGINE

## 502-6975 DRIVE GP-FAN

S/N: PW31-UP

PART OF 434-3726 ENGINE AR-COMPLETE

SMCS-1359

i07426707

NOTE	REF NO	GRAPHIC REF	PART NUMBER	QTY	PART NAME						SEE PAGE
					1	2	3	4	5	6 (PRODUCT LEVEL)	
	1	1	<b>289-2498</b>	1	BRACKET						
Y	2	1	<b>306-9751</b>	1	DRIVE GP-FAN						25
	3	1	<b>392-5072</b>	1	PLATE AS						
	4	1	<b>399-0332</b>	1	SPACER						
	5	1	<b>417-0485</b>	1	CLAMP						
	6	1	<b>419-8702</b>	1	BELT-DRIVE						
	7	1	<b>419-8706</b>	1	BRACKET						
Y	8	1	<b>420-9602</b>	1	BELT TENSIONER GP (FAN)						6
	9	1	<b>503-7993</b>	1	ALTERNATOR GP-CHARGING						
M	10	1	<b>160-8750</b>	4	BOLT (M12X1.75X65-MM)						
	11	1	<b>198-4767</b>	4	WASHER-HARD (13.5X30X12-MM THK)						
	12	1	<b>2K-4973</b>	1	LOCKNUT (3/8-16-THD)						
	13	1	<b>4L-6459</b>	1	BOLT (3/8-16X2.5-IN)						
	14	1	<b>5P-8245</b>	6	WASHER-HARD (13.5X25.5X3-MM THK)						
	15	1	<b>6V-5729</b>	1	LOCKNUT (7/16-14-THD)						
M	16	1	<b>8T-5041</b>	4	BOLT (M12X1.75X120-MM)						
M	17	1	<b>6V-8149</b>	2	NUT (M12X1.75-THD)						
	18	1	<b>7X-0321</b>	1	BOLT (7/16-14X5.5-IN)						
M	19	1	<b>8T-0643</b>	2	BOLT (M10X1.5X80-MM)						
	20	1	<b>8T-4121</b>	12	WASHER-HARD (11X21X2.5-MM THK)						
M	21	1	<b>8T-4133</b>	4	NUT (M10X1.5-THD)						
M	22	1	<b>8T-4186</b>	3	BOLT (M10X1.5X40-MM)						
M	23	1	<b>8T-4195</b>	6	BOLT (M10X1.5X30-MM)						
M	24	1	<b>8T-4196</b>	2	BOLT (M10X1.5X35-MM)						
	25	1	<b>8T-4222</b>	1	WASHER-PLATED (11X32X2.5-MM THK)						
	26	1	<b>8T-4223</b>	1	WASHER-HARD (13.5X25.5X3-MM THK)						
	27	1	<b>8T-4896</b>	1	WASHER-HARD (10.2X18.5X2.5-MM THK)						
M	28	1	<b>8T-6466</b>	2	BOLT (M10X1.5X60-MM)						
	29	1	<b>8T-8917</b>	1	BOLT (1/2-13X1.25-IN)						
	30	1	<b>9F-8759</b>	1	SPACER (0.531X1.125X0.5-IN THK)						
	31	1	<b>417-4106</b>	1	COVER						

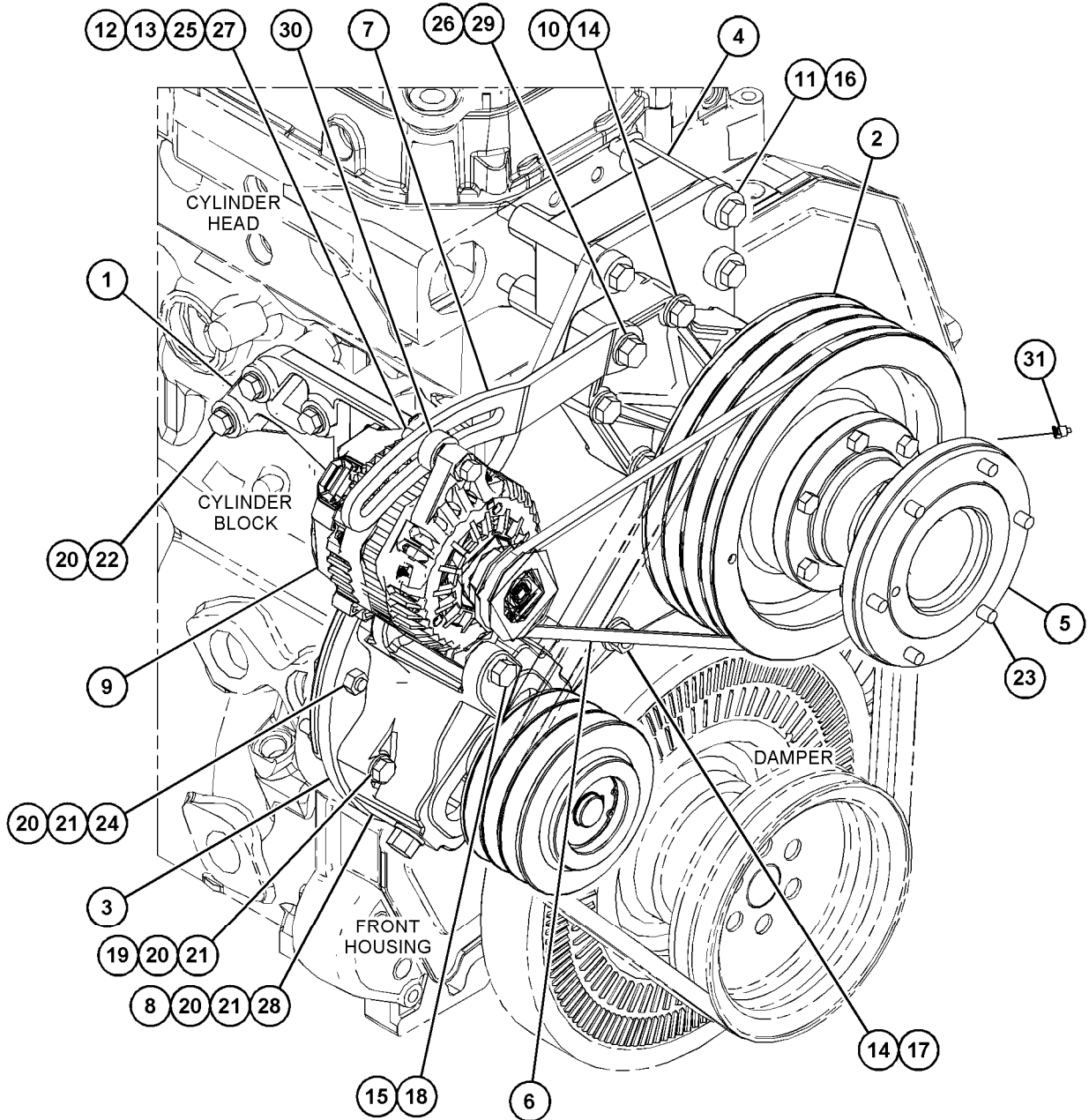
M - METRIC PART

Y - SEPARATE ILLUSTRATION

# BASIC ENGINE

502-6975 DRIVE GP-FAN (contd.)

107426707



GRAPHIC #1

<END>

g06320274



# BASIC ENGINE

## 198-4963 FASTENER GP-CYLINDER HEAD

S/N: PW31-UP

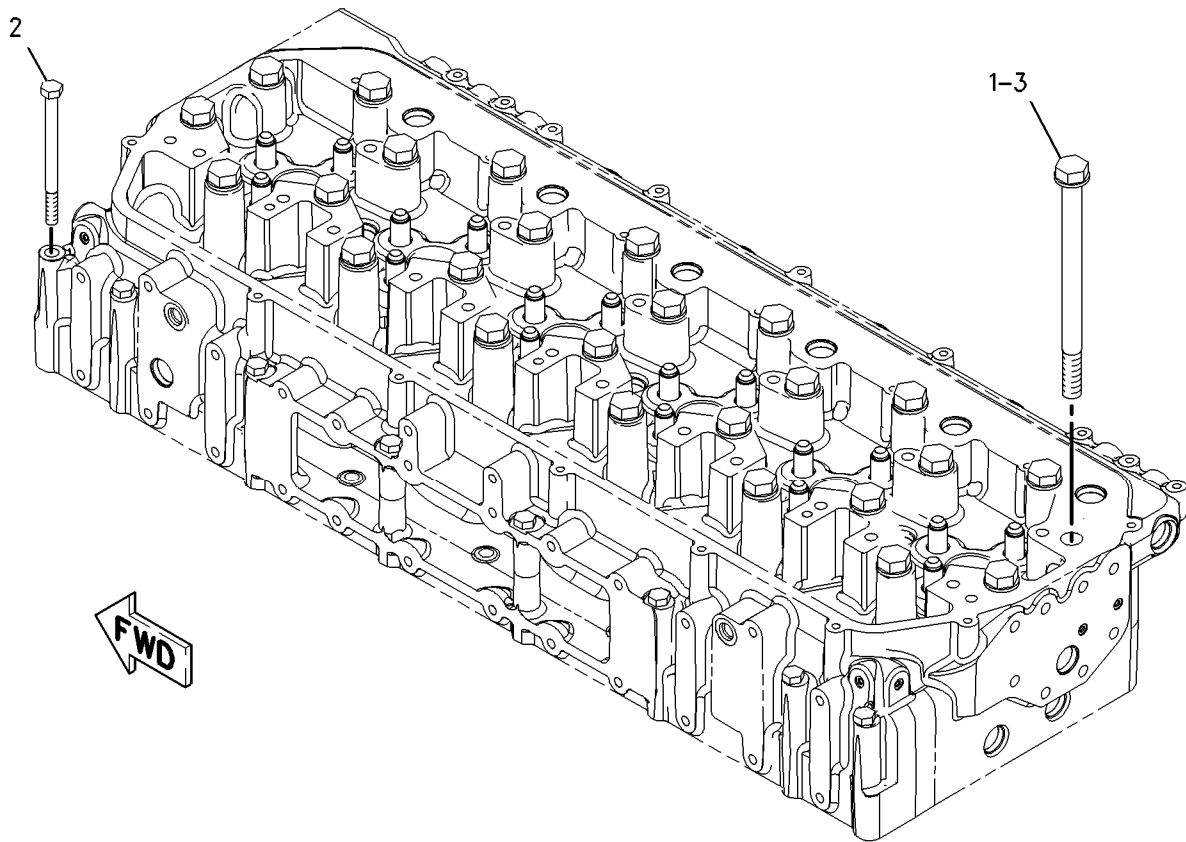
PART OF 302-2224 CYLINDER HEAD GP

SMCS-1100

i04756519

NOTE	REF NO	GRAPHIC REF	PART NUMBER	QTY	PART NAME						SEE PAGE
					1	2	3	4	5	6 (PRODUCT LEVEL)	
M	1	1	<b>242-1811</b>	26	BOLT-CYLINDER HEAD (M16X2X220-MM)						
M	2	1	<b>210-4460</b>	8	BOLT (M10X1.5X130-MM)						
	3	1	<b>2S-5658</b>	26	WASHER-HARD (17X29X3-MM THK)						

M - METRIC PART



GRAPHIC #1

<END>

g00949755

# BASIC ENGINE

## 155-4313 FASTENER GP-FLYWHEEL

S/N: PW31-UP

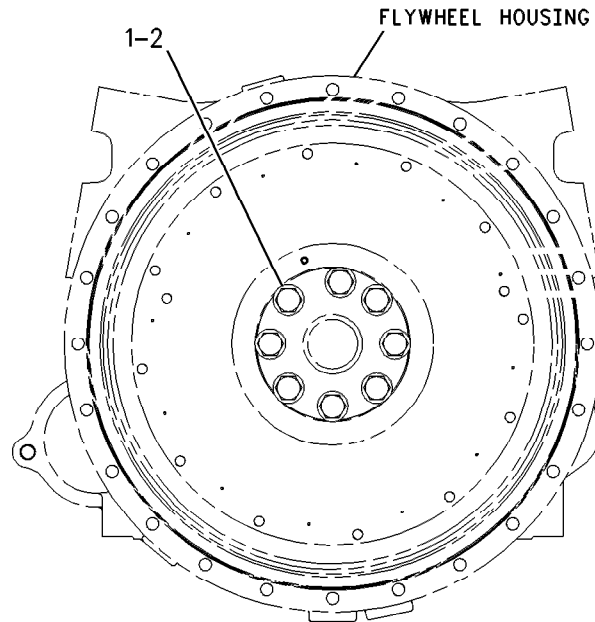
FOR USE WITH SAE NO. 1 FLYWHEEL, 155-6615—PAGE: 30  
PART OF 434-3726 ENGINE AR-COMPLETE

SMCS-1156

i05781465

NOTE	REF NO	GRAPHIC REF	PART NUMBER	QTY	PART NAME						SEE PAGE
					1	2	3	4	5	6 (PRODUCT LEVEL)	
	1	1	<b>5P-8247</b>	8	WASHER-HARD (17X32X3.5-MM THK)						
M	2	1	<b>103-6169</b>	8	BOLT-SELF-LOCKING (M16X2X60-MM)						

M - METRIC PART



GRAPHIC #1

<END>

g00349025

# BASIC ENGINE

## 155-6615 FLYWHEEL GP

S/N: PW31-UP

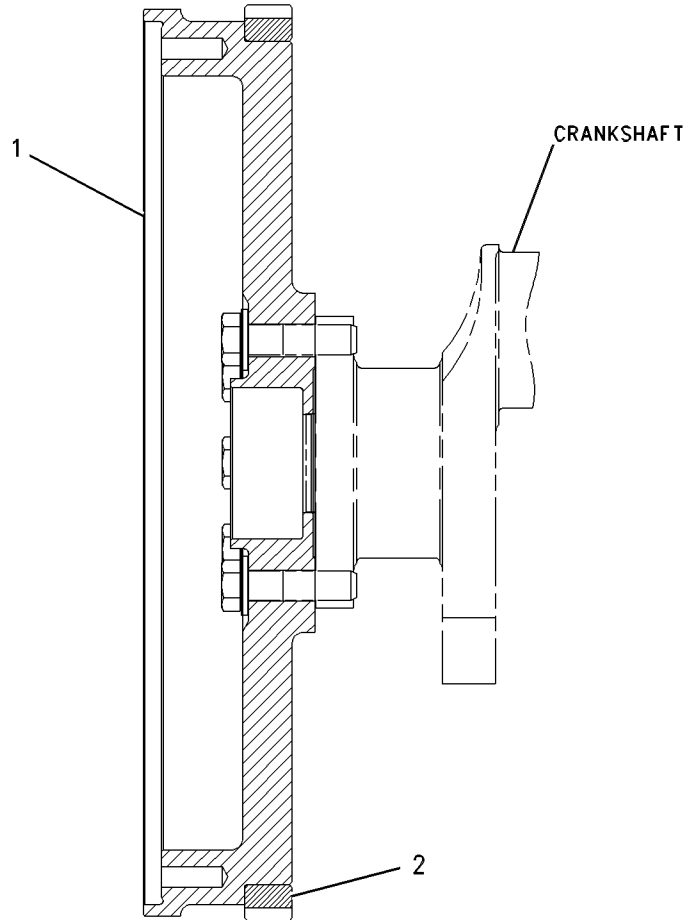
SAE NO. 1

FOR USE WITH 155-4313-PAGE: 29  
PART OF 434-3726 ENGINE AR-COMPLETE

SMCS-1156

i07349098

NOTE	REF NO	GRAPHIC REF	PART NUMBER	QTY	PART NAME						SEE PAGE
					1	2	3	4	5	6 (PRODUCT LEVEL)	
1	1	1	<b>491-3151</b>	1	FLYWHEEL AS						
2	1	1	<b>4N-2514</b>	1	GEAR (113-TEETH)						



GRAPHIC #1

<END>

g00354693

# BASIC ENGINE

## 222-3088 GEAR GP-FRONT

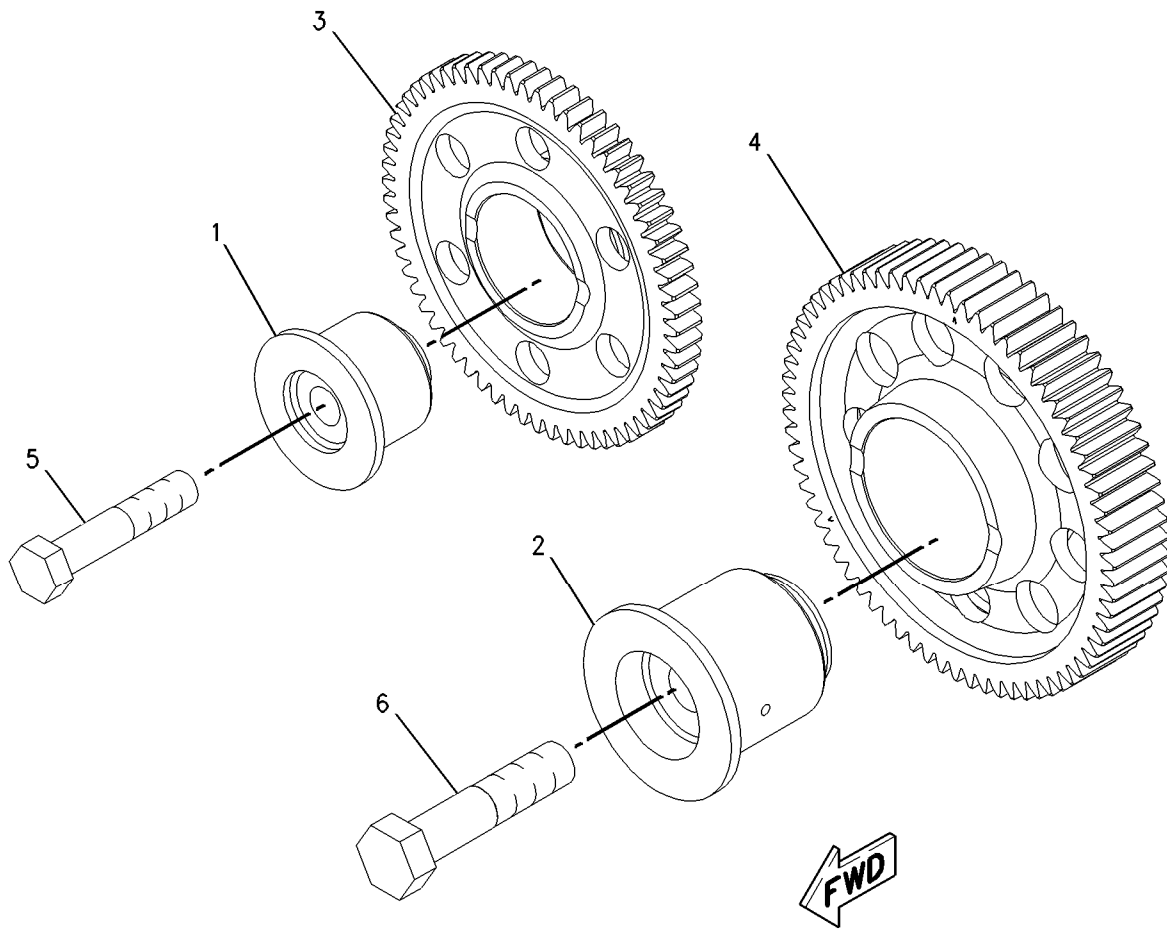
S/N: PW31-UP

SMCS-1151, 1162, 1206

i06737143

NOTE	REF NO	GRAPHIC REF	PART NUMBER	QTY	PART NAME						SEE PAGE
					1	2	3	4	5	6	
	1	1	<b>7C-7851</b>	1	SHAFT						
	2	1	<b>218-7270</b>	1	SHAFT						
	3	1	<b>222-3902</b>	1	GEAR AS (64-TEETH)						
		1	<b>7C-7852</b>	1	BEARING						
	4	1	<b>222-3905</b>	1	GEAR AS (CAMSHAFT IDLER, 71-TEETH)						
		1	<b>133-7084</b>	1	BUSHING						
M	5	1	<b>8T-0281</b>	1	BOLT (M16X2X80-MM)						
M	6	1	<b>8T-0360</b>	1	BOLT (M20X2.5X90-MM)						

M - METRIC PART



GRAPHIC #1

<END>

g00939640

# BASIC ENGINE

## 230-1103 HOUSING GP-FLYWHEEL

S/N: PW31-UP

PART OF 434-3726 ENGINE AR-COMPLETE

SMCS-1157

i04016170

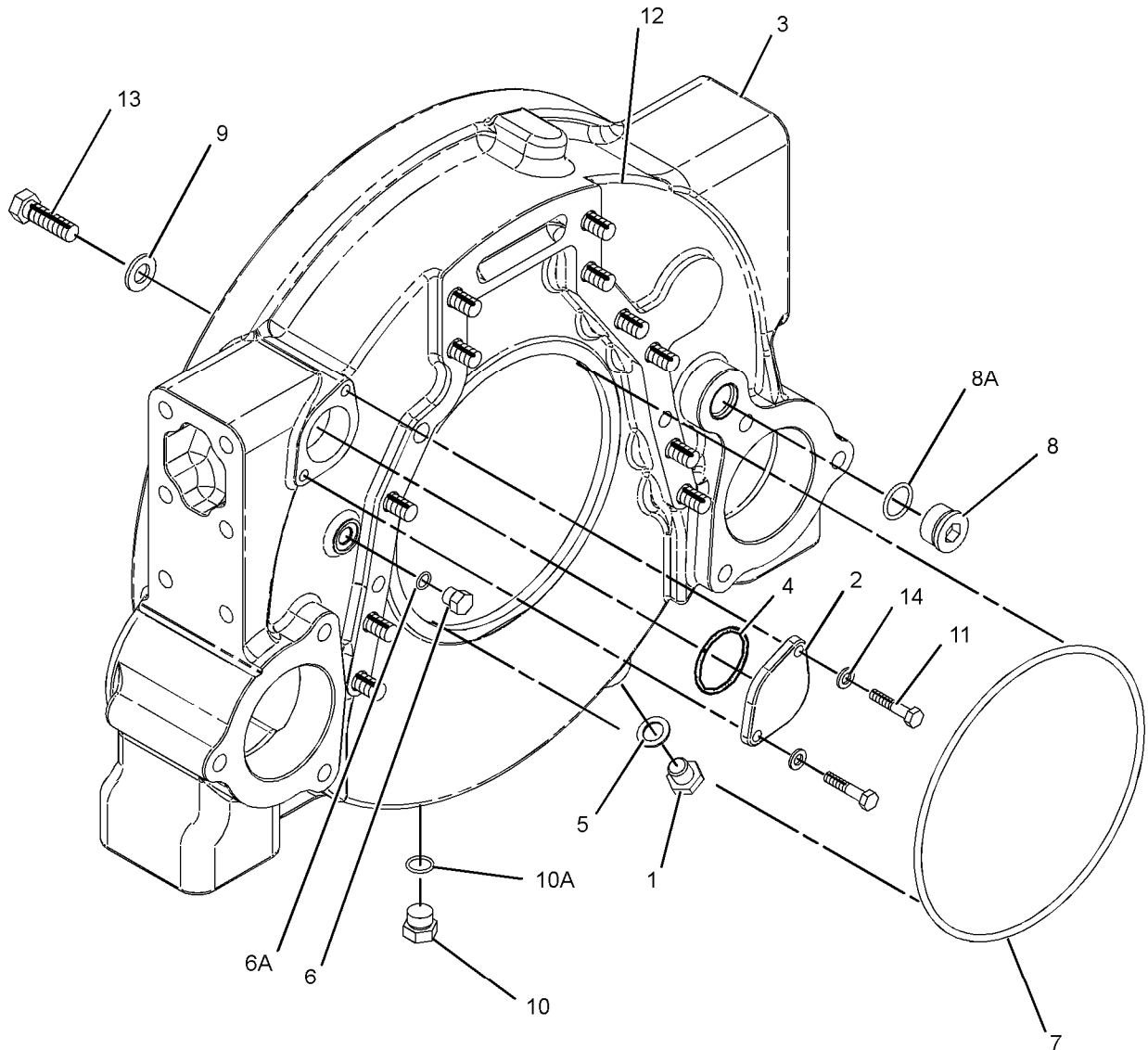
NOTE	REF NO	GRAPHIC REF	PART NUMBER	QTY	PART NAME						SEE PAGE
					1	2	3	4	5	6 (PRODUCT LEVEL)	
	1	1	<b>5F-0304</b>	1	PLUG (FLYWHEEL HOUSING)						
	2	1	<b>7C-1445</b>	1	COVER						
	3	1	<b>231-4543</b>	1	HOUSING-FLYWHEEL						
	4	1	<b>061-9455</b>	1	SEAL-O-RING						
	5	1	<b>2A-1162</b>	1	GASKET						
	6	1	<b>321-8642</b>	1	PLUG AS						
		1	<b>9S-8003</b>	1	PLUG (1/2-20-THD)						
	6A	1	<b>214-7567</b>	1	SEAL-O-RING						
	7	1	<b>5D-9344</b>	1	SEAL-O-RING						
	8	1	<b>315-9859</b>	1	PLUG AS						
		1	<b>9S-8008</b>	1	PLUG (1-1/16-12-THD)						
	8A	1	<b>238-5082</b>	1	SEAL-O-RING						
	9	1	<b>5P-8246</b>	12	WASHER-HARD (15.5X29X3-MM THK)						
	10	1	<b>307-2673</b>	1	PLUG AS						
		1	<b>9S-8005</b>	1	PLUG (3/4-16-THD)						
	10A	1	<b>238-5080</b>	1	SEAL-O-RING						
M	11	1	<b>6V-5219</b>	2	BOLT (M8X1.25X40-MM)						
B	12	1	<b>1U-8846</b>		SEALANT-GASKET						
M	13	1	<b>8T-0226</b>	12	BOLT (M14X2X45-MM)						
	14	1	<b>9M-1974</b>	2	WASHER-HARD (8.8X16X2-MM THK)						

B - USE AS REQUIRED  
M - METRIC PART

# BASIC ENGINE

230-1103 HOUSING GP-FLYWHEEL (contd.)

104016170



GRAPHIC #1

<END>

g02185613

# BASIC ENGINE

## 218-7272 HOUSING GP-FRONT

S/N: PW31-UP

PART OF 434-3726 ENGINE AR-COMPLETE

SMCS-1151, 1162, 1206

i05468542

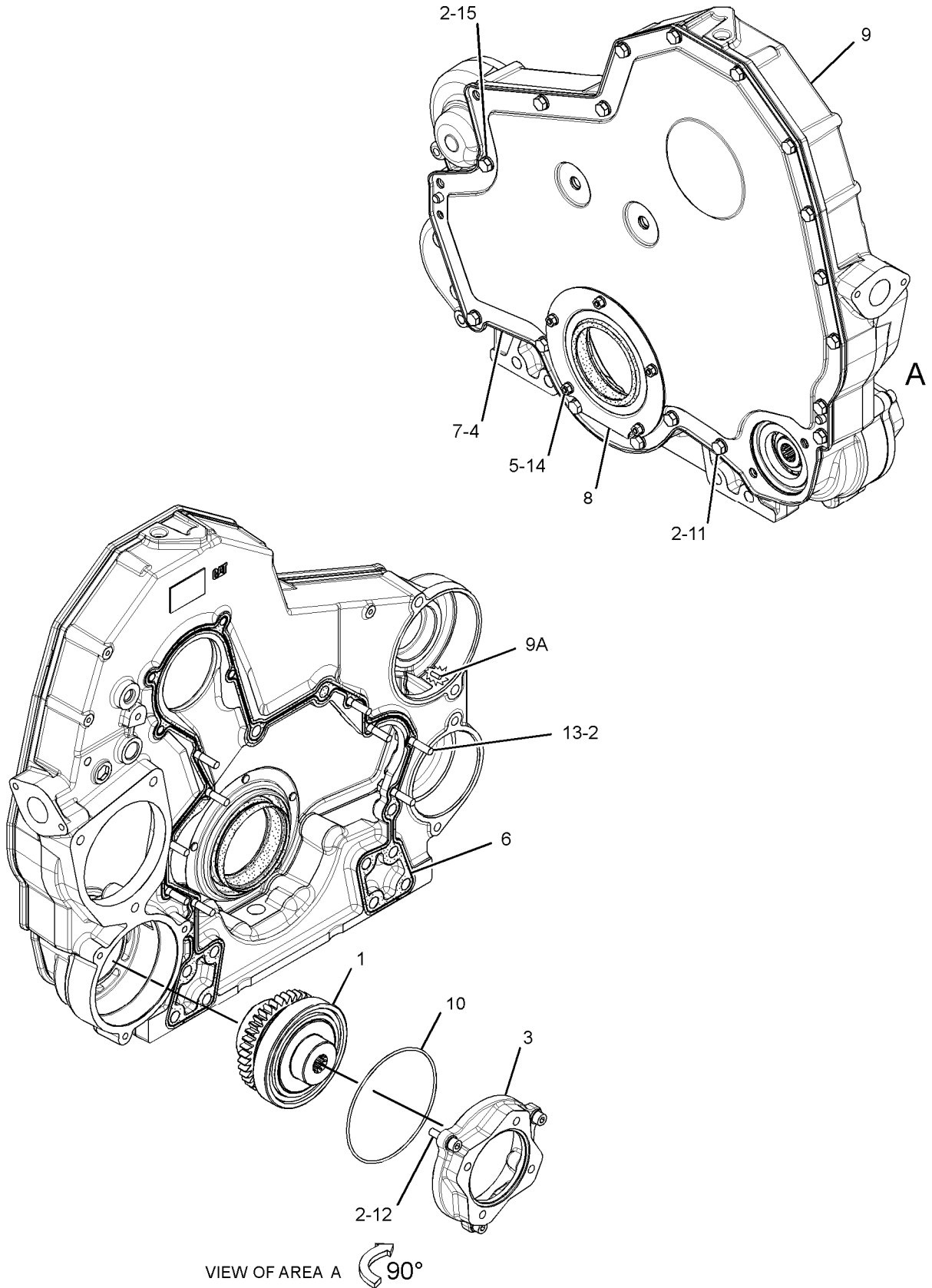
NOTE	REF NO	GRAPHIC REF	PART NUMBER	QTY	PART NAME						SEE PAGE
					1	2	3	4	5	6 (PRODUCT LEVEL)	
	1	1	356-0955	1	GEAR AS-DRIVE						
		1	5P-6727	1	BALL BEARING						
		1	8H-9789	1	BALL BEARING						
		1	221-9357	1	GEAR-AUXILIARY DRIVE (40-TEETH)						
	2	1	9M-1974	30	WASHER-HARD (8.8X16X2-MM THK)						
	3	1	251-4314	1	ADAPTER						
	4	1	439-4636	1	COVER AS						
	5	1	9X-8256	5	WASHER (6.6X12X2-MM THK)						
	6	1	257-2015	1	GASKET						
	7	1	223-7852	1	SEAL-INTEGRAL						
	8	1	226-4755	1	SEAL GP-CRANKSHAFT (FRONT)						
		1	169-4166	1	SEAL GP-CRANKSHAFT (FRONT)						
		1	220-3373	1	SEAL-RING						
	9	1	329-3061	1	HOUSING AS-FRONT						
	9A	1	6V-3535	2	DOWEL						
	10	1	117-8801	1	SEAL-O-RING						
M	11	1	6V-2317	17	BOLT (M8X1.25X30-MM)						
M	12	1	6V-5192	3	BOLT-SOCKET HEAD (M8X1.25X30-MM)						
M	13	1	6V-5219	9	BOLT (M8X1.25X40-MM)						
M	14	1	6V-8225	5	NUT (M6X1-THD)						
M	15	1	3E-8016	1	BOLT-SELF-LOCKING (M8X1.25X25-MM)						

M - METRIC PART

# BASIC ENGINE

218-7272 HOUSING GP-FRONT (contd.)

105468542



GRAPHIC #1

<END>

g02218914



# BASIC ENGINE

## 237-4376 LIFTER GP-VALVE-MECHANISM

S/N: PW31-UP

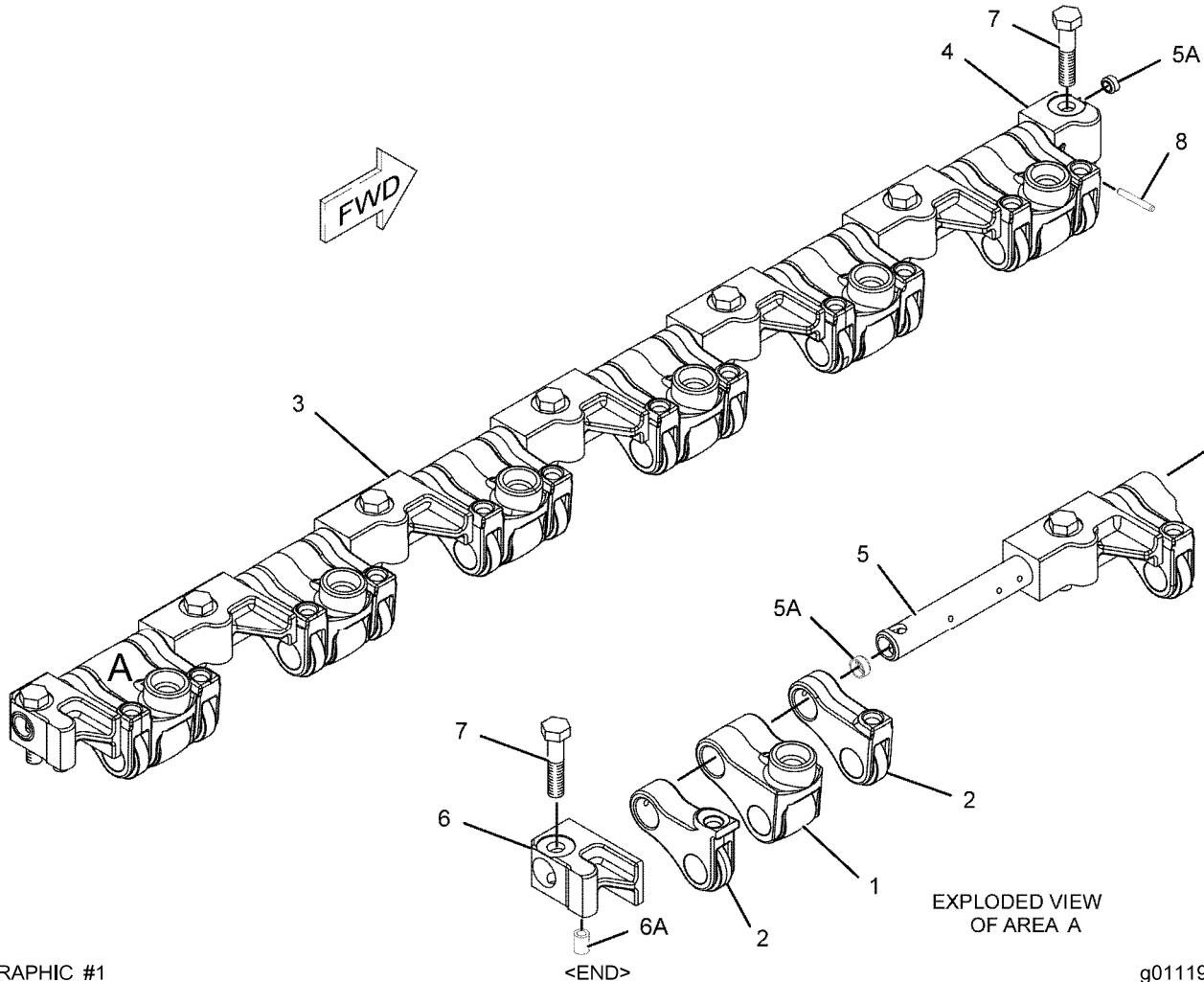
PART OF 240-7272 VALVE MECHANISM GP

SMCS-1209

i03596460

NOTE	REF NO	GRAPHIC REF	PART NUMBER	QTY	PART NAME						SEE PAGE
					1	2	3	4	5	6	
	1	1	<b>202-7475</b>	6	LIFTER AS-UNIT INJECTOR						
	2	1	<b>251-1005</b>	12	LIFTER AS-VALVE						
	3	1	<b>269-2862</b>	5	BRACKET AS (INTERMEDIATE)						
					(EACH INCLUDES)						
		1	<b>129-2893</b>	1	DOWEL						
	4	1	<b>269-2860</b>	1	BRACKET AS (FRONT)						
		1	<b>129-2893</b>	1	DOWEL						
	5	1	<b>240-2636</b>	1	SHAFT AS						
	5A	1	<b>0L-1026</b>	2	PLUG-CUP						
	6	1	<b>269-2864</b>	1	BRACKET AS (REAR)						
	6A	1	<b>5L-4763</b>	1	PIN-SPRING						
M	7	1	<b>6V-5843</b>	7	BOLT (M10X1.5X45-MM)						
	8	1	<b>8E-8439</b>	1	DOWEL						

M - METRIC PART



GRAPHIC #1

g01119838

# BASIC ENGINE

## 324-6776 LIFTING GP-ENGINE

S/N: PW31-UP

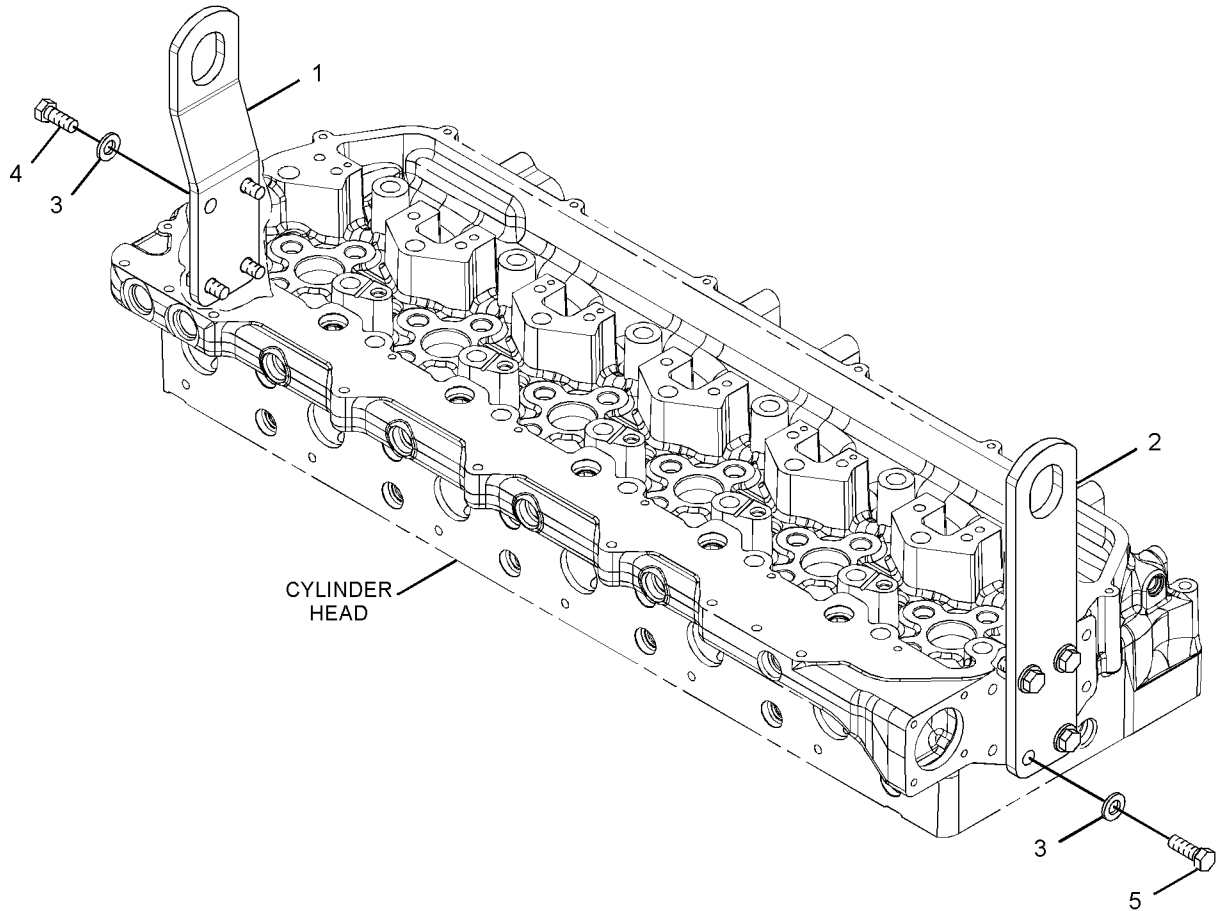
PART OF 434-3726 ENGINE AR-COMplete

SMCS-1122

i05324114

NOTE	REF NO	GRAPHIC REF	PART NUMBER	QTY	PART NAME						SEE PAGE
					1	2	3	4	5	6 (PRODUCT LEVEL)	
	1	1	<b>224-4140</b>	1	EYE-LIFTING						
	2	1	<b>234-0879</b>	1	EYE-LIFTING						
	3	1	<b>5P-8245</b>	8	WASHER-HARD (13.5X25.5X3-MM THK)						
M	4	1	<b>6V-3668</b>	4	BOLT (M12X1.75X30-MM)						
M	5	1	<b>6V-8675</b>	4	BOLT (M12X1.75X35-MM)						

M - METRIC PART



GRAPHIC #1

<END>

g01563160

# BASIC ENGINE

## 583-4816 MOUNTING GP-ENGINE

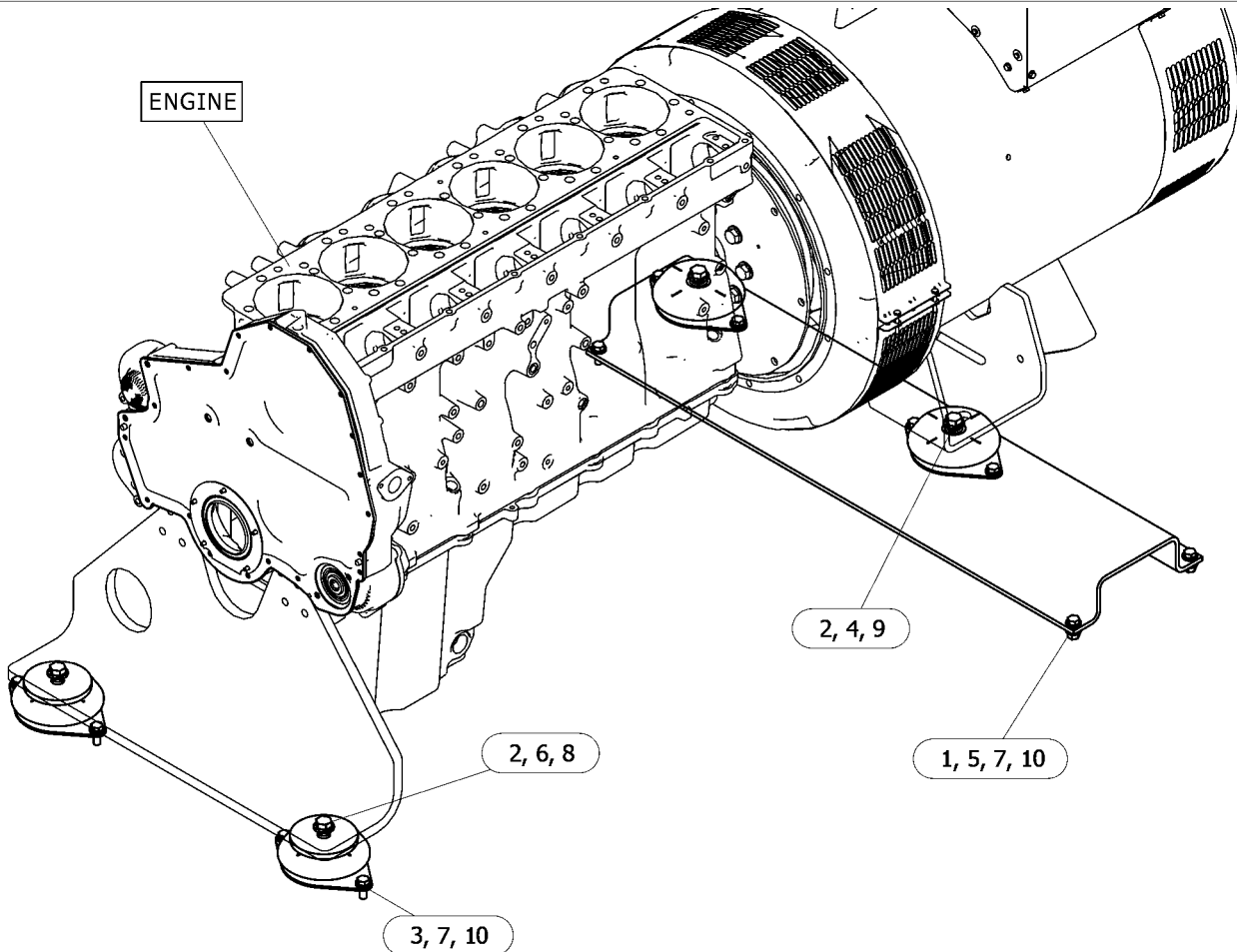
S/N: S341-UP  
AN ATTACHMENT

SMCS-1152, 1153, 1154

i07868697

NOTE	REF NO	GRAPHIC REF	PART NUMBER	QTY	PART NAME						SEE PAGE
					1	2	3	4	5	6 (PRODUCT LEVEL)	
M	1	1	<b>329-3356</b>	2	NUT (M12X1.75-THD)						
	2	1	<b>354-2561</b>	4	WASHER-SHOULDER						
	3	1	<b>354-6226</b>	2	MOUNT						
	4	1	<b>354-6228</b>	2	MOUNT						
	5	1	<b>573-8986</b>	1	BEAM AS						
M		1	<b>8T-3597</b>	4	NUT-WELD (M12X1.75-THD)						
	6	1	<b>7X-2622</b>	2	WASHER (22X115X10-MM THK)						
M	7	1	<b>8T-4139</b>	12	BOLT (M12X1.75X30-MM)						
M	8	1	<b>8T-4140</b>	2	BOLT (M16X2X60-MM)						
M	9	1	<b>8T-4193</b>	2	BOLT (M16X2X50-MM)						
	10	1	<b>8T-4223</b>	14	WASHER-HARD (13.5X25.5X3-MM THK)						

M - METRIC PART



GRAPHIC #1

<END>

g06466532

# BASIC ENGINE

## 568-2460 MOUNTING GP-ENGINE & GENERATOR

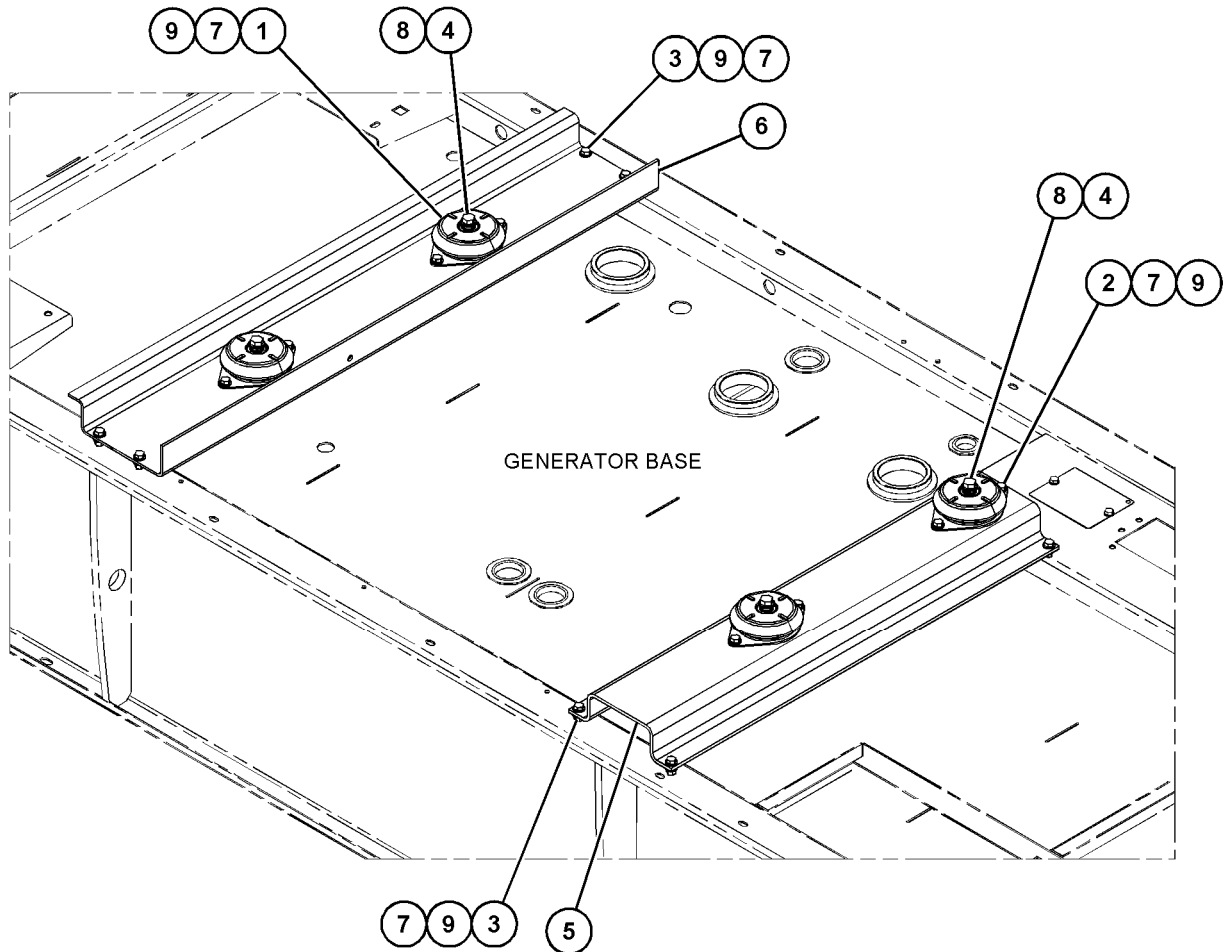
S/N: S341-UP  
AN ATTACHMENT

SMCS-1021, 1152

i07868110

NOTE	REF NO	GRAPHIC REF	PART NUMBER	QTY	PART NAME						SEE PAGE
					1	2	3	4	5	6 (PRODUCT LEVEL)	
	1	1	<b>354-6226</b>	2	MOUNT						
	2	1	<b>354-6228</b>	2	MOUNT						
M	3	1	<b>329-3356</b>	6	NUT (M12X1.75-THD)						
	4	1	<b>354-2561</b>	4	WASHER-SHOULDER						
	5	1	<b>573-8986</b>	1	BEAM AS						
M		1	<b>8T-3597</b>	4	NUT-WELD (M12X1.75-THD)						
	6	1	<b>574-3646</b>	1	BEAM AS						
M		1	<b>8T-3597</b>	4	NUT-WELD (M12X1.75-THD)						
M		1	<b>308-2902</b>	1	NUT-WELD (M10X1.5-THD)						
M	7	1	<b>8T-4139</b>	16	BOLT (M12X1.75X30-MM)						
M	8	1	<b>8T-4193</b>	4	BOLT (M16X2X50-MM)						
	9	1	<b>8T-4223</b>	22	WASHER-HARD (13.5X25.5X3-MM THK)						

M - METRIC PART



GRAPHIC #1

<END>

g06464918

# BASIC ENGINE

## 138-2550 MOUNTING GP-FAN DRIVE

S/N: PW31-UP

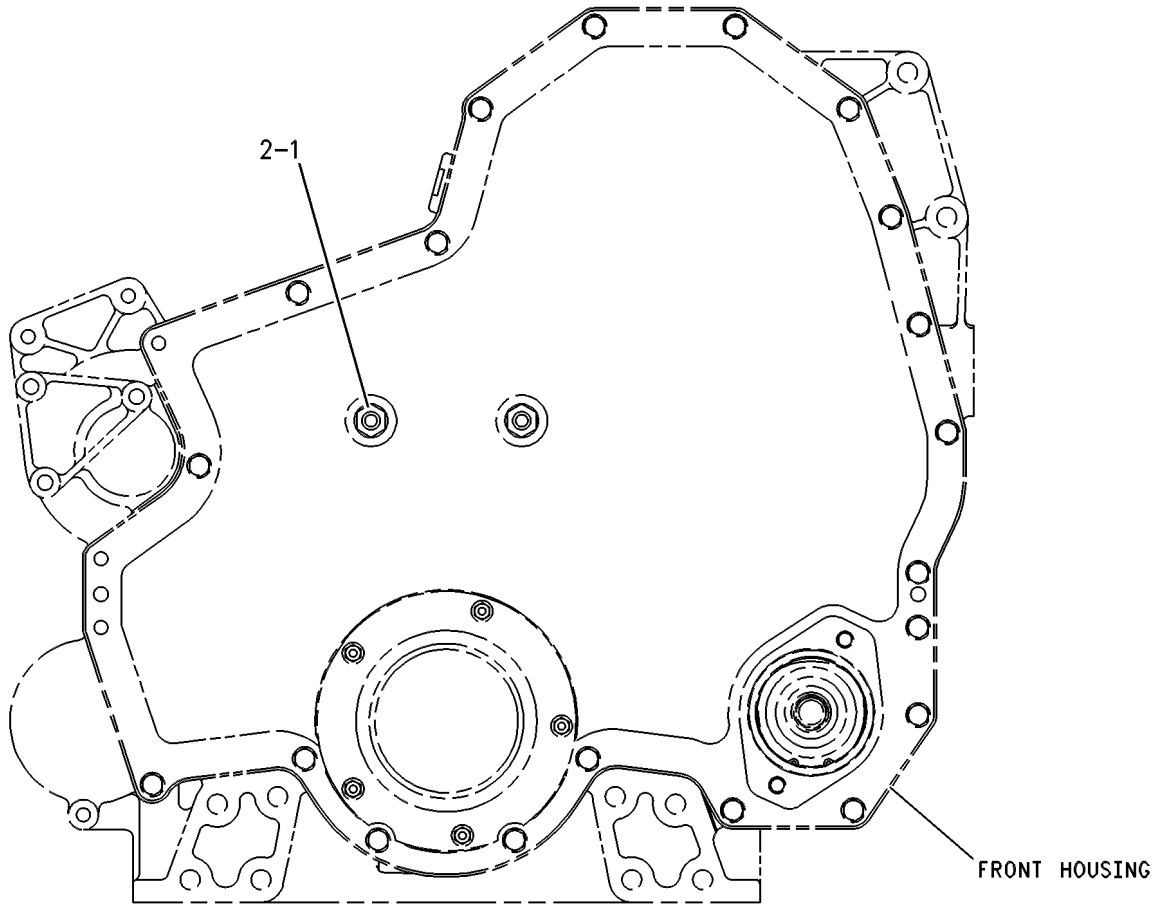
PART OF 434-3726 ENGINE AR-COMPLETE

SMCS-1359

i07560278

NOTE	REF NO	GRAPHIC REF	PART NUMBER	QTY	PART NAME						SEE PAGE
					1	2	3	4	5	6 (PRODUCT LEVEL)	
	1	1	<b>6V-0405</b>	2	SEAL-BONDED						
M	2	1	<b>123-0764</b>	2	STUD-TAPERLOCK (M12X1.75X138.7-MM)						

M - METRIC PART



FRONT VIEW

GRAPHIC #1

<END>

g00262300

# BASIC ENGINE

## 229-8084 MOUNTING GP-VALVE MECHANISM

S/N: PW31-UP

NON-VARIABLE VALVE ACTUATOR

FOR USE WITH NON-VARIABLE VALVE ACTUATOR ENGINES

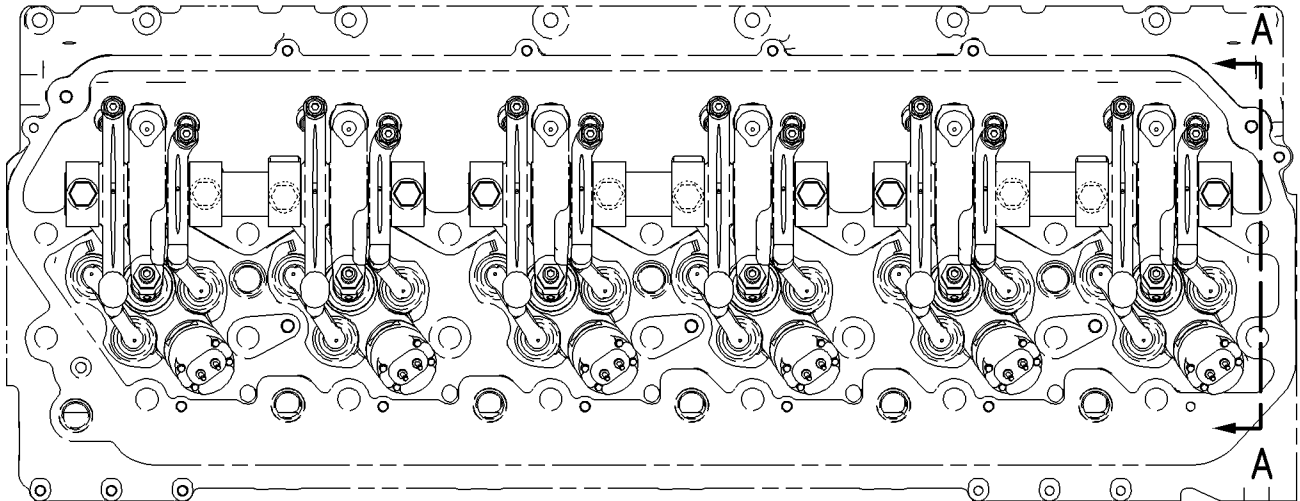
PART OF 434-3726 ENGINE AR-COMplete

SMCS-1102

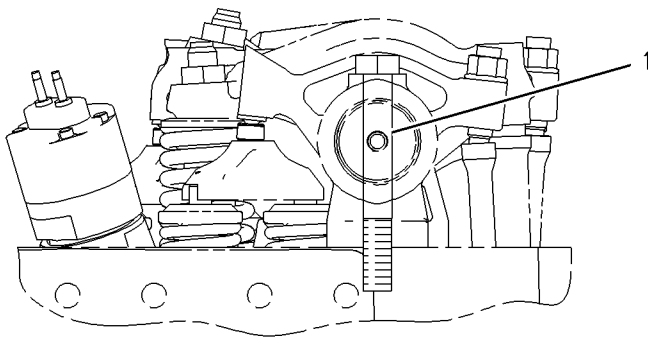
i05856583

NOTE	REF NO	GRAPHIC REF	PART NUMBER	QTY	PART NAME						SEE PAGE
					1	2	3	4	5	6 (PRODUCT LEVEL)	
M	1	1	241-0847	6	BOLT (M12X1.75X93-MM)						

M - METRIC PART



TOP VIEW



VIEW A-A

GRAPHIC #1

<END>

g00950829

# BASIC ENGINE

## 215-9005 PAN GP-OIL-ENGINE

S/N: PW31-UP

PROVIDES A FRONT, DEEP SUMP CONFIGURATION  
PART OF 434-3726 ENGINE AR-COMPLETE

SMCS-1302

i06679318

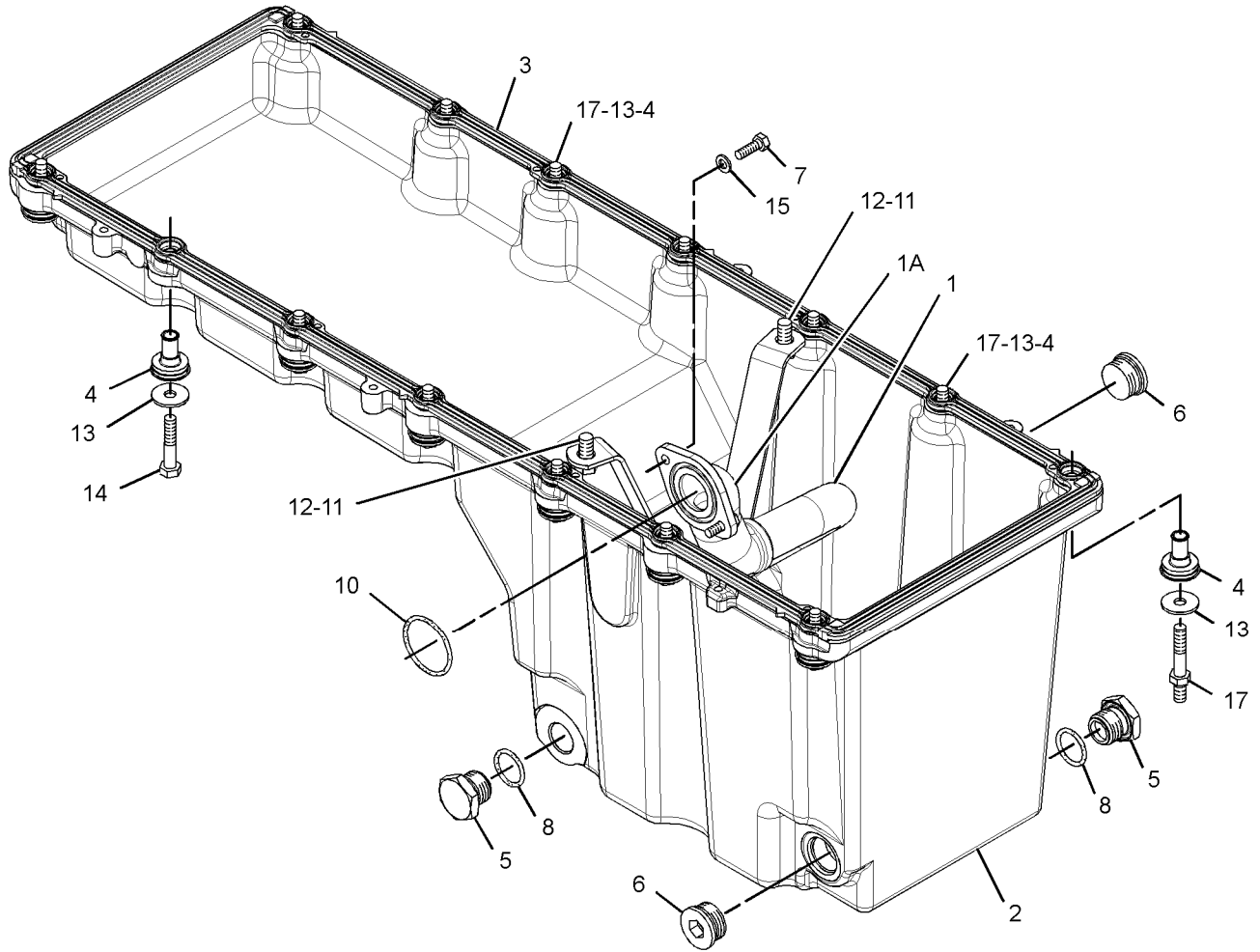
NOTE	REF NO	GRAPHIC REF	PART NUMBER	QTY	PART NAME						SEE PAGE
					1	2	3	4	5	6 (PRODUCT LEVEL)	
	1	1	<b>336-7231</b>	1	BELL AS-SUCTION						
	1A	1	<b>210-1743</b>	1	ELBOW						
	2	1	<b>210-1745</b>	1	PAN-OIL						
	3	1	<b>217-3673</b>	1	SEAL-ISOLATION						
	4	1	<b>217-3674</b>	14	FASTENER AS						
	5	1	<b>9X-6451</b>	2	PLUG-DRAIN (MAGNETIC) (ENGINE OIL PAN)						
	6	1	<b>389-3728</b>	2	PLUG AS						
					(EACH INCLUDES)						
		1	<b>360-3684</b>	1	PLUG						
		1	<b>238-5084</b>	1	SEAL-O-RING						
M	7	1	<b>3E-8016</b>	2	BOLT-SELF-LOCKING (M8X1.25X25-MM)						
	8	1	<b>061-9458</b>	2	SEAL-O-RING						
	10	1	<b>5P-8211</b>	1	SEAL-O-RING						
	11	1	<b>5P-8245</b>	2	WASHER-HARD (13.5X25.5X3-MM THK)						
M	12	1	<b>6A-5591</b>	2	BOLT (M12X1.75X25-MM)						
	13	1	<b>6N-8863</b>	14	WASHER (10.2X32X2.5-MM THK)						
M	14	1	<b>6V-4249</b>	11	BOLT (M10X1.5X50-MM)						
	15	1	<b>9M-1974</b>	2	WASHER-HARD (8.8X16X2-MM THK)						
M	17	1	<b>287-3049</b>	3	STUD (M10X1.5X50-MM)						

M - METRIC PART

# BASIC ENGINE

215-9005 PAN GP-OIL (contd.)

106679318



GRAPHIC #1

<END>

g02106213



# BASIC ENGINE

## 453-6655 PISTON & ROD GP

S/N: PW31-UP

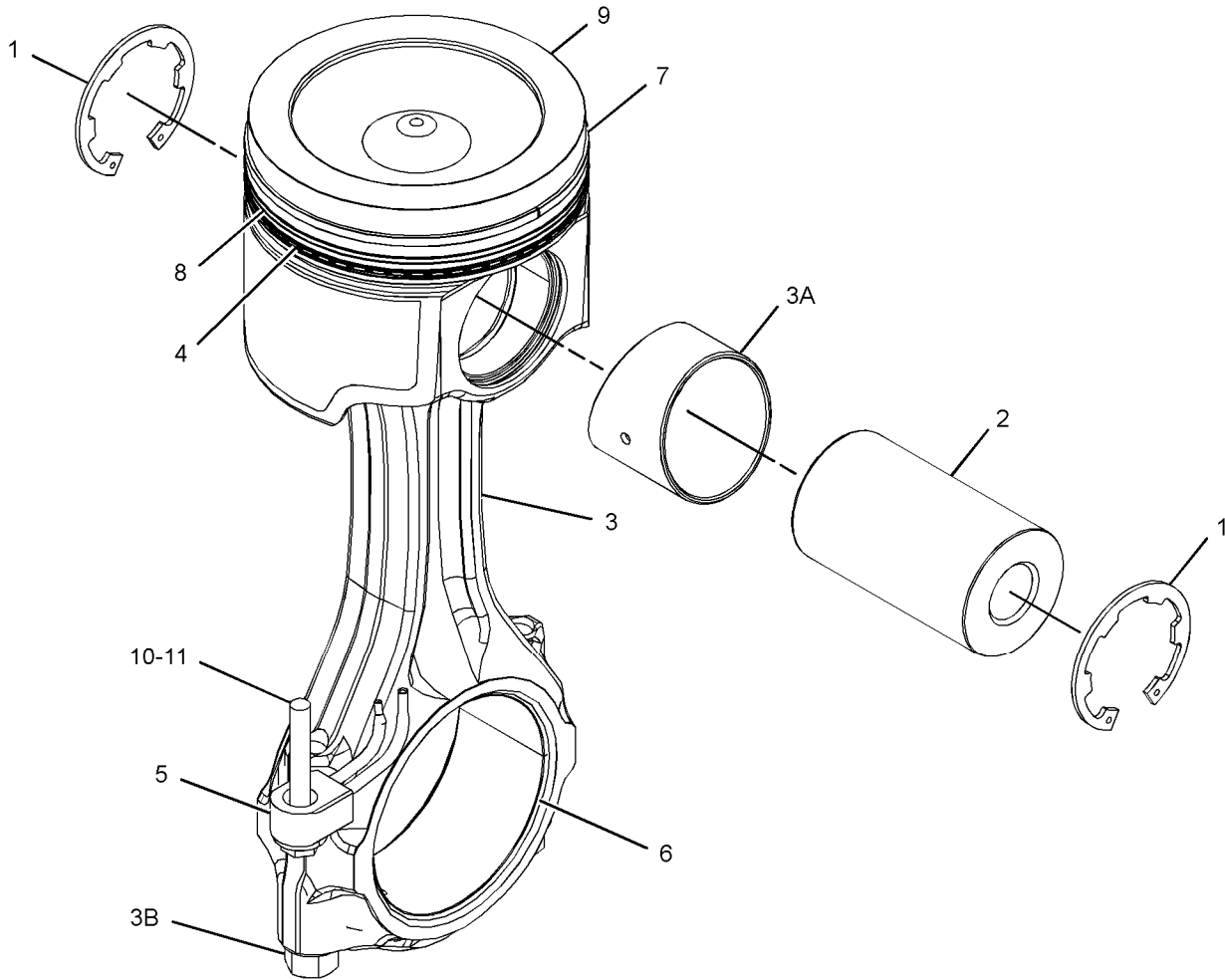
SMCS - 1225

i07489244

NOTE	REF NO	GRAPHIC REF	PART NUMBER	QTY	PART NAME						SEE PAGE
					1	2	3	4	5	6	
	1	1	<b>197-9326</b>	2	RETAINER						
	2	1	<b>524-6478</b>	1	PIN-PISTON						
R	3	1	<b>223-9150</b>	1	ROD AS-CONNECTING						
	3A	1	<b>115-2972</b>	1	BEARING-CONNECTING ROD						
M	3B	1	<b>115-2973</b>	2	BOLT-CONNECTING ROD						
	4	1	<b>265-1113</b>	1	RING-PISTON (OIL CONTROL)						
	5	1	<b>276-7222</b>	1	TUBE AS-OIL JET						
	6	1	<b>292-0484</b>	1	BEARING-CONNECTING ROD (STANDARD)						
	7	1	<b>415-7459</b>	1	RING-PISTON (TOP)						
	8	1	<b>300-3086</b>	1	RING-PISTON (INTERMEDIATE)						
	9	1	<b>388-9356</b>	1	BODY AS-PISTON						
	10	1	<b>3E-4352</b>	1	WASHER-HARD (8.8X20.5X2.5-MM THK)						
M	11	1	<b>8T-0100</b>	1	BOLT (M8X1.25X60-MM)						

M - METRIC PART

R - REMANUFACTURED PART MAY BE AVAILABLE



GRAPHIC #1

<END>

g03391131

# BASIC ENGINE

## 509-5661 PLUG GP-COVER

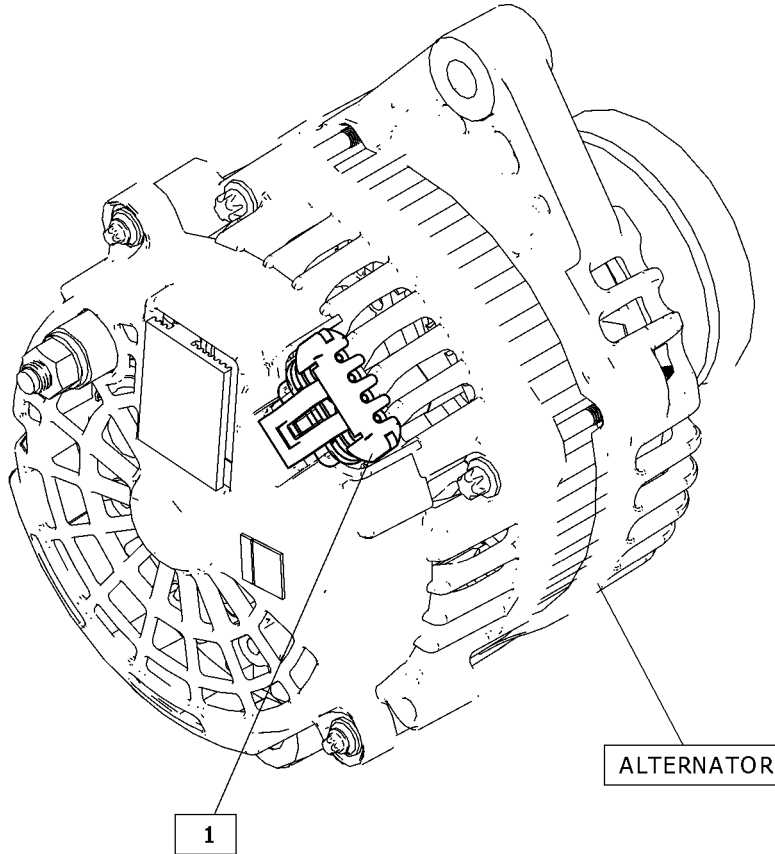
S/N: PW31-UP

**FOR USE WITH 13SI ALTERNATOR WHEN A WIRE ASSEMBLY IS NOT REQUIRED  
PART OF 434-3726 ENGINE AR-COMplete**

**SMCS-7553**

**i07627203**

NOTE	REF NO	GRAPHIC REF	PART NUMBER	QTY	PART NAME						SEE PAGE
					1	2	3	4	5	6 (PRODUCT LEVEL)	
	1	1	<b>508-9467</b>	1	PLUG AS-CONNECTOR						
		1	<b>273-7623</b>	1	PLUG AS-CONNECTOR						



GRAPHIC #1

<END>

g06381136

# BASIC ENGINE

## 117-0165 PLUG GP-CYLINDER BLOCK-OIL GALLERY, END

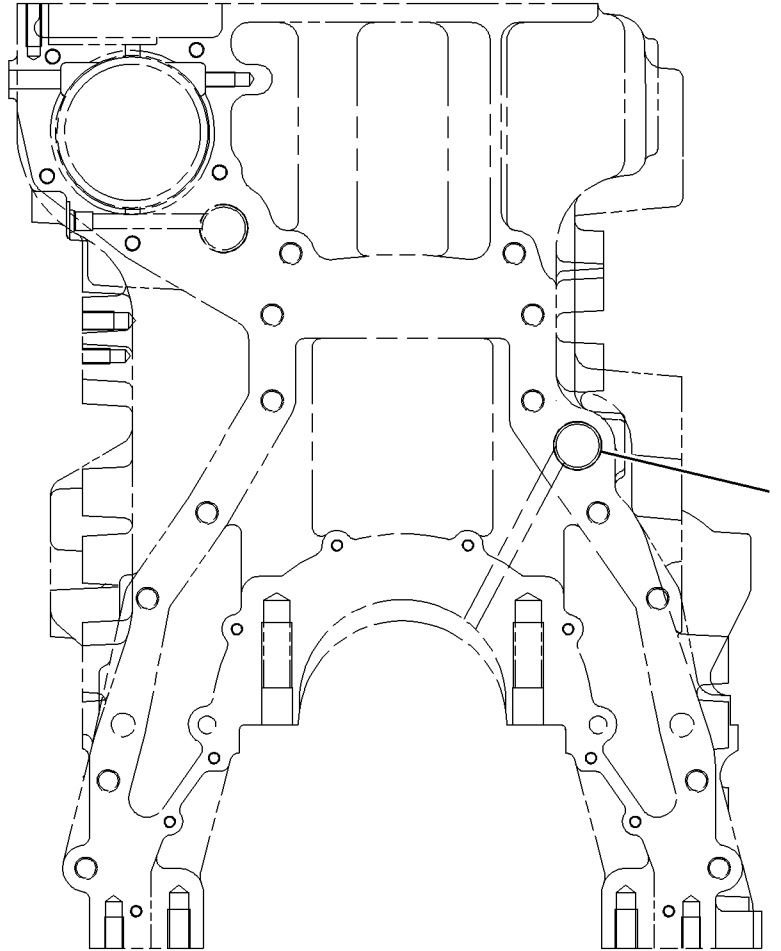
S/N: PW31-UP

PART OF 434-3726 ENGINE AR-COMplete

SMCS-1201

i01534512

NOTE	REF NO	GRAPHIC REF	PART NUMBER	QTY	PART NAME						SEE PAGE
					1	2	3	4	5	6 (PRODUCT LEVEL)	
	1	1	<b>3B-0623</b>	1	PLUG-CUP						



REAR VIEW

GRAPHIC #1

<END>

g00796766

# BASIC ENGINE

## 223-3875 PLUG GP-CYLINDER BLOCK

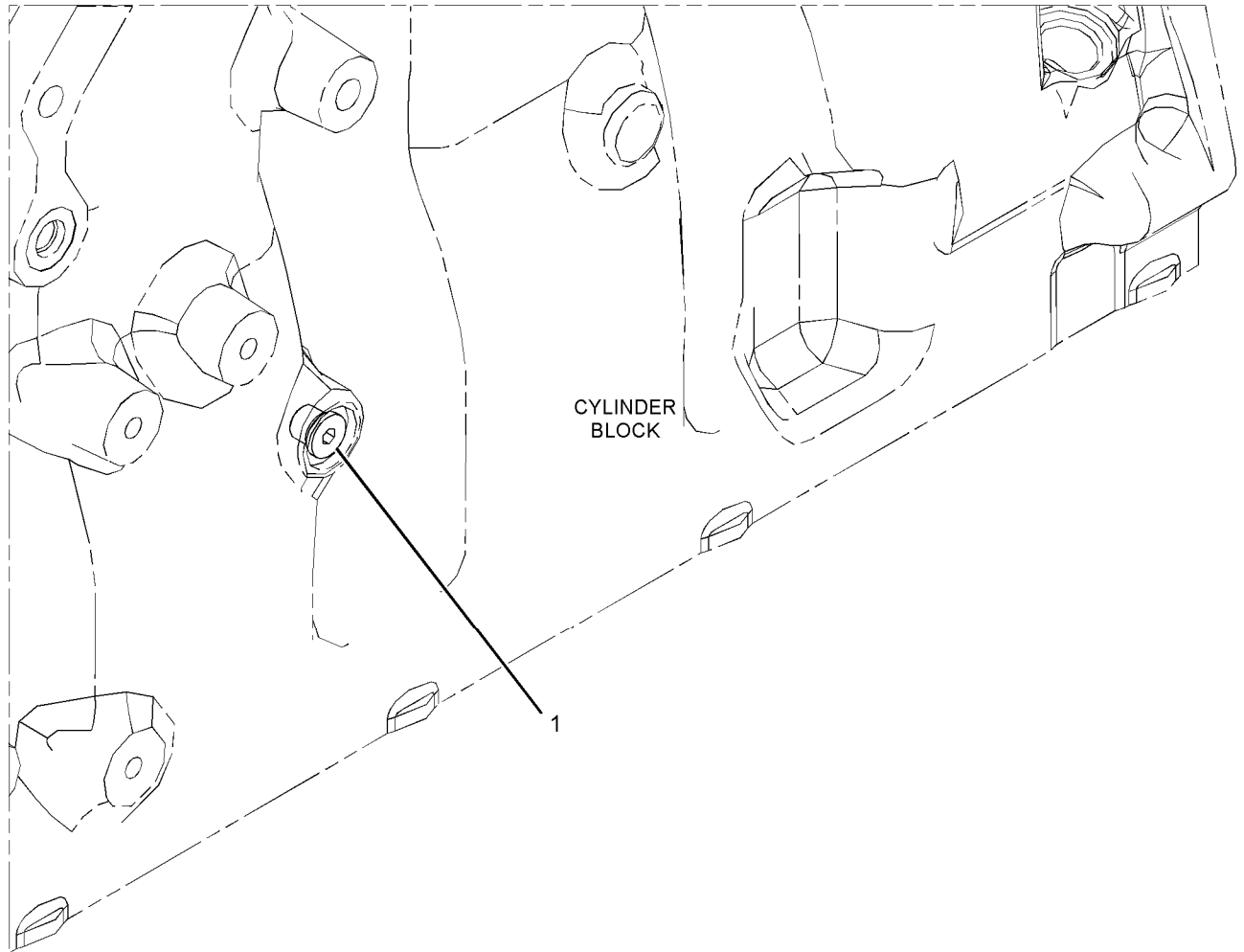
S/N: PW31-UP

PART OF 434-3726 ENGINE AR-COMPLETE

SMCS-1201

i05863984

NOTE	REF NO	GRAPHIC REF	PART NUMBER	QTY	PART NAME						SEE PAGE
					1	2	3	4	5	6 (PRODUCT LEVEL)	
	1	1	307-2671	1	PLUG AS						
		1	9S-8002	1	PLUG (7/16-20-THD)						
		1	214-7566	1	SEAL-O-RING						



GRAPHIC #1

<END>

g02218974

# BASIC ENGINE

## 227-9545 PLUG GP-CYLINDER BLOCK-OIL GALLERY, RH

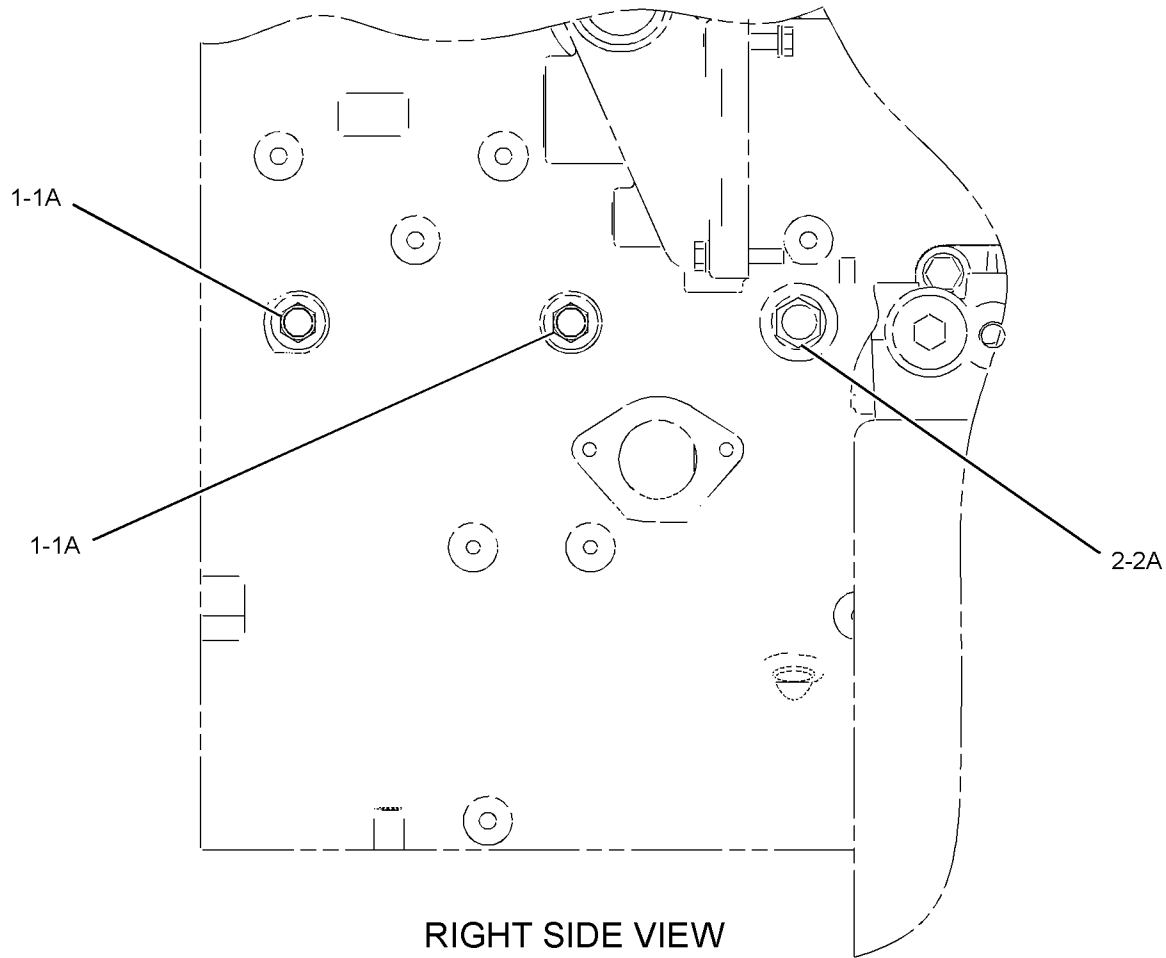
S/N: PW31-UP

PART OF 434-3726 ENGINE AR-COMPLETE

SMCS-1201

i05922015

NOTE	REF NO	GRAPHIC REF	PART NUMBER	QTY	PART NAME						SEE PAGE
					1	2	3	4	5	6 (PRODUCT LEVEL)	
	1	1	183-3407	2	PLUG AS						
					(EACH INCLUDES)						
		1	9S-8004	1	PLUG (9/16-18-THD)						
	1A	1	214-7568	1	SEAL-O-RING						
	2	1	307-2673	1	PLUG AS						
		1	9S-8005	1	PLUG (3/4-16-THD)						
	2A	1	238-5080	1	SEAL-O-RING						



GRAPHIC #1

<END>

g02083373

# BASIC ENGINE

## 262-4166 PLUG GP-ENGINE

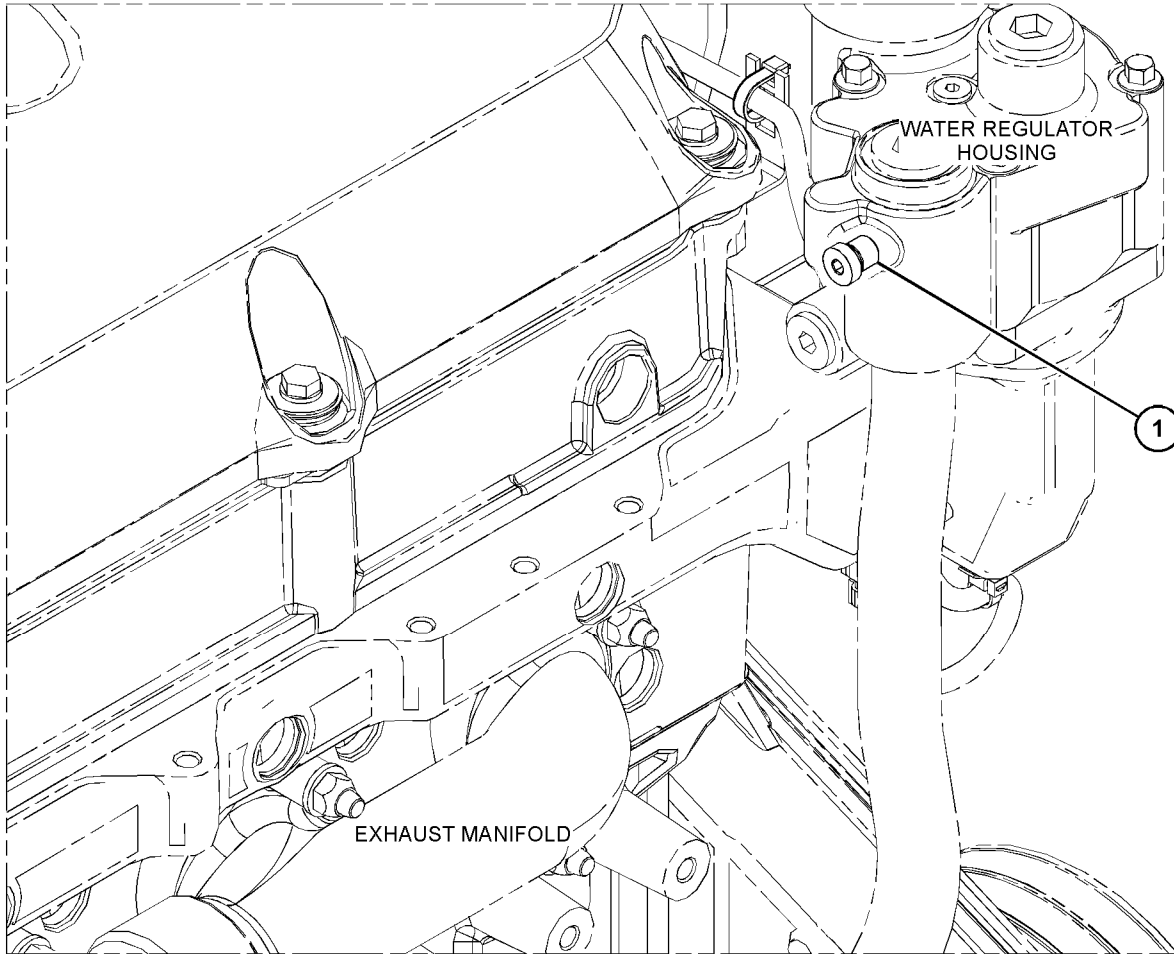
S/N: PW31-UP

PART OF 434-3726 ENGINE AR-COMplete

SMCS-1100, 1201

i06146892

NOTE	REF NO	GRAPHIC REF	PART NUMBER	QTY	PART NAME						SEE PAGE
					1	2	3	4	5	6 (PRODUCT LEVEL)	
	1	1	398-5598	1	PLUG AS						
		1	6V-9027	1	SEAL-O-RING						
		1	360-3677	1	PLUG (7/16-20-THD)						



GRAPHIC #1

<END>

g03830664

# BASIC ENGINE

## 301-0222 PLUG GP-ENGINE

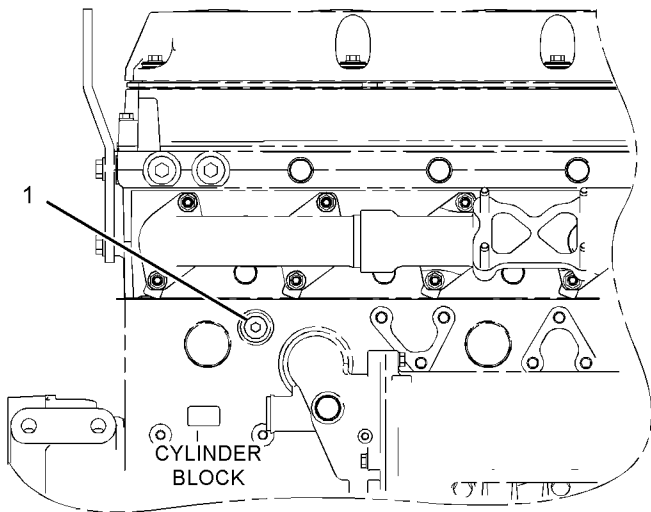
S/N: PW31-UP

PART OF 434-3726 ENGINE AR-COMplete

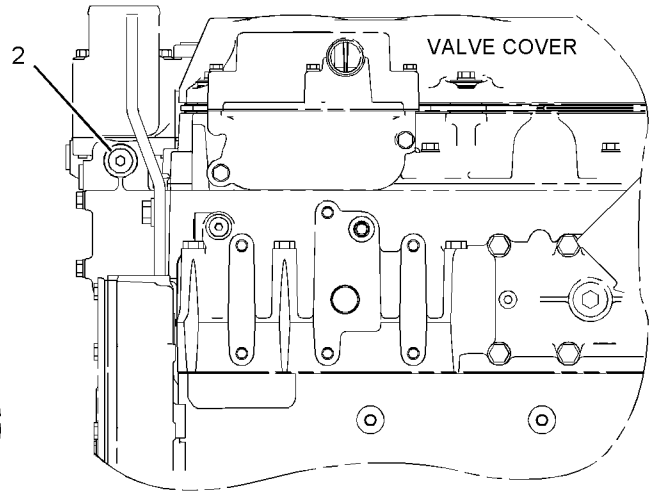
SMCS-1100, 1201

i05269917

NOTE	REF NO	GRAPHIC REF	PART NUMBER	QTY	PART NAME						SEE PAGE
					1	2	3	4	5	6 (PRODUCT LEVEL)	
1	1	1	353-5125	1	PLUG AS						
			6V-3251	1	SEAL-O-RING						
			9S-8006	1	PLUG (7/8-14-THD)						
2	1	1	353-5126	1	PLUG AS						
			6V-6609	1	SEAL-O-RING						
			9S-8005	1	PLUG (3/4-16-THD)						



RIGHT SIDE VIEW OF ENGINE



LEFT SIDE VIEW OF ENGINE

GRAPHIC #1

<END>

g03401975

# BASIC ENGINE

## 260-0251 ROCKER ARM GP-UNIT INJECTOR

S/N: PW31-UP

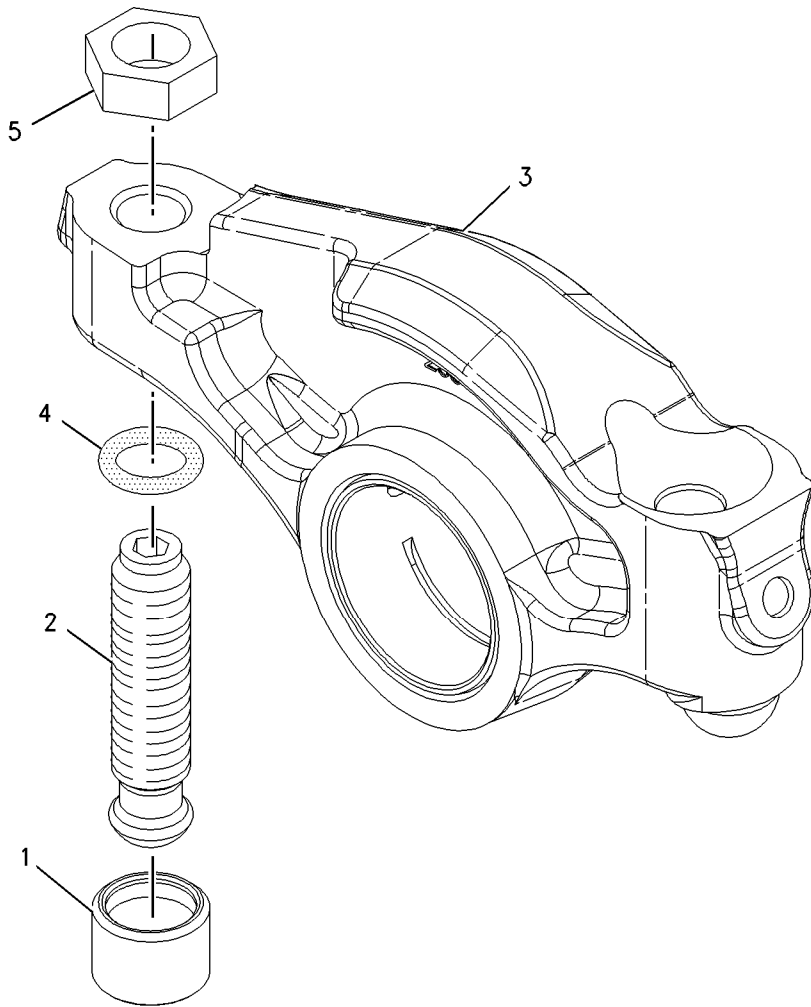
PART OF 396-4102 ROCKER ARM GP

SMCS-1123

i02343172

NOTE	REF NO	GRAPHIC REF	PART NUMBER	QTY	PART NAME						SEE PAGE
					1	2	3	4	5	6 (PRODUCT LEVEL)	
	1	1	<b>258-8721</b>	1	BUTTON						
	2	1	<b>274-4490</b>	1	SCREW-ADJUSTMENT						
R	3	1	<b>260-0915</b>	1	ROCKER ARM AS (UNIT INJECTOR)						
		1	<b>2D-6642</b>	1	BALL						
	4	1	<b>8L-2777</b>	1	SEAL-O-RING						
	5	1	<b>245-6095</b>	1	NUT-HEX THIN (M12X1.5-THD)						

R - REMANUFACTURED PART MAY BE AVAILABLE



GRAPHIC #1

<END>

g01007579



# BASIC ENGINE

## 261-2294 ROCKER ARM GP-EXHAUST

S/N: PW31-UP

PART OF 396-4102 ROCKER ARM GP

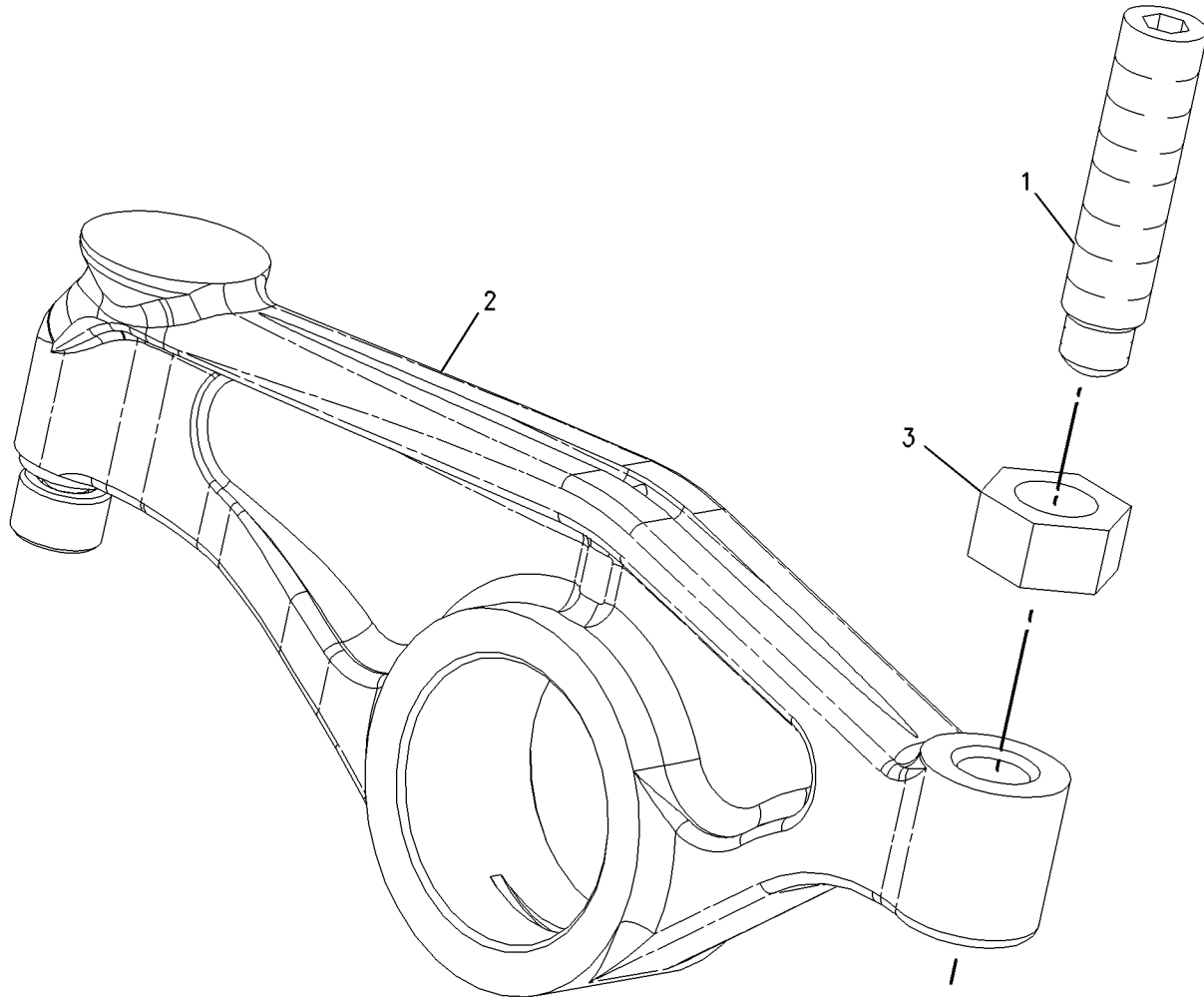
SMCS-1123

i02663356

NOTE	REF NO	GRAPHIC REF	PART NUMBER	QTY	PART NAME						SEE PAGE
					1	2	3	4	5	6	
M	1	1	<b>260-7524</b>	1	SCREW-VALVE ADJUSTMENT (M10X1.5-THD)						
R	2	1	<b>261-2293</b>	1	ROCKER ARM AS (EXHAUST)						
M	3	1	<b>2Y-5829</b>	1	NUT (M10X1.5-THD)						

M - METRIC PART

R - REMANUFACTURED PART MAY BE AVAILABLE



GRAPHIC #1

<END>

g00956228

# BASIC ENGINE

## 385-4639 ROCKER ARM GP-INLET

S/N: PW31-UP

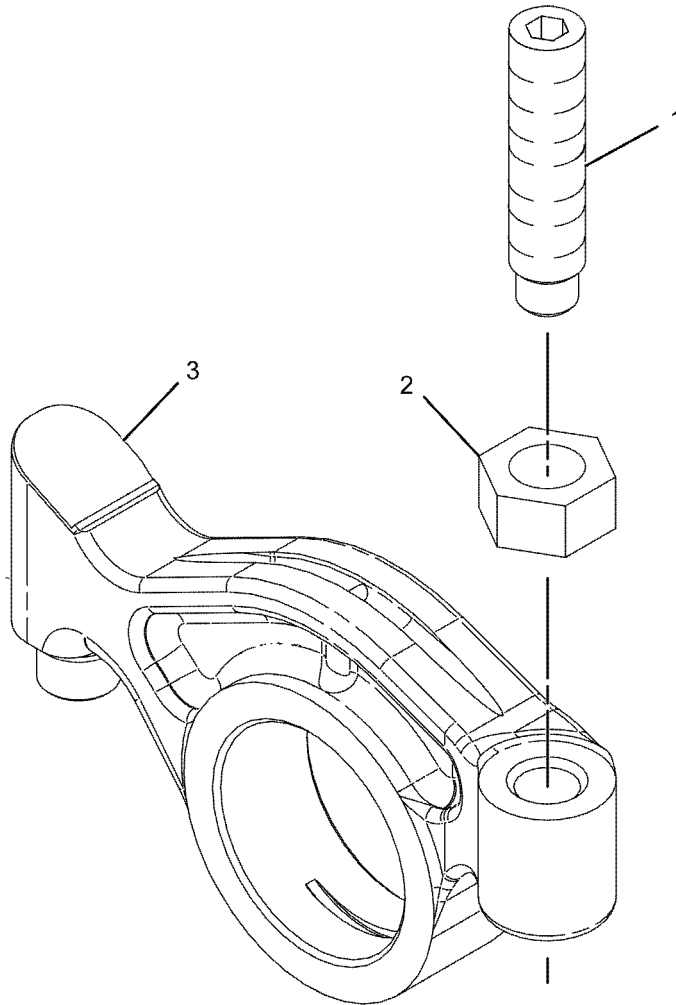
PART OF 396-4102 ROCKER ARM GP

SMCS-1123

i04930151

NOTE	REF NO	GRAPHIC REF	PART NUMBER	QTY	PART NAME						SEE PAGE
					1	2	3	4	5	6 (PRODUCT LEVEL)	
M	1	1	<b>260-7524</b>	1	SCREW-VALVE ADJUSTMENT (M10X1.5-THD)						
M	2	1	<b>2Y-5829</b>	1	NUT (M10X1.5-THD)						
R	3	1	<b>385-5474</b>	1	ROCKER ARM AS						

M - METRIC PART  
R - REMANUFACTURED PART MAY BE AVAILABLE



GRAPHIC #1

<END>

g01030820

# BASIC ENGINE

## 396-4102 ROCKER ARM GP

S/N: PW31-UP

PART OF 240-7272 VALVE MECHANISM GP

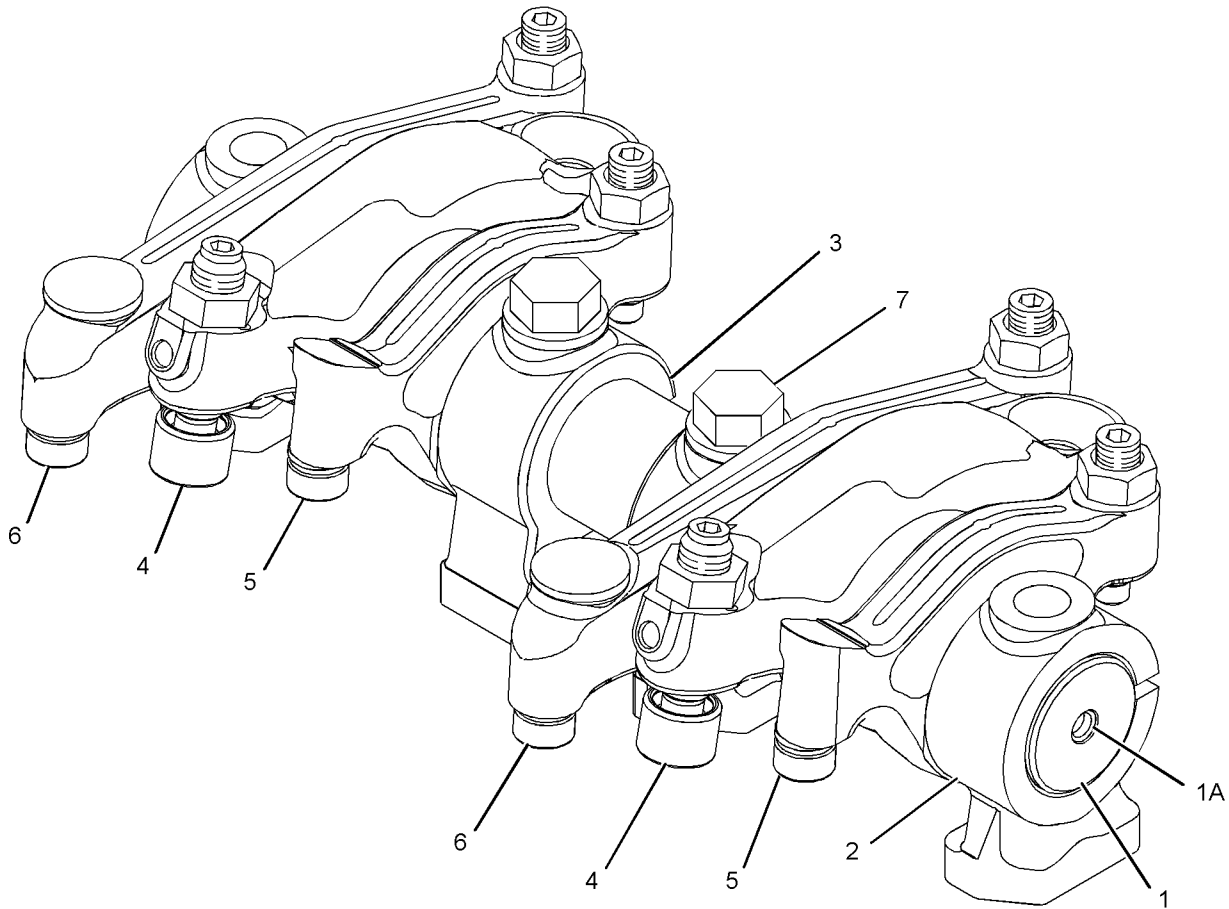
SMCS-1123

i07132946

NOTE	REF NO	GRAPHIC REF	PART NUMBER	QTY	PART NAME						SEE PAGE
					1	2	3	4	5	6 (PRODUCT LEVEL)	
	1	1	<b>224-4418</b>	1	SHAFT AS						
	1A	1	<b>3S-6605</b>	2	PLUG-CUP						
	2	1	<b>242-1401</b>	2	BASE AS						
	3	1	<b>242-7418</b>	1	BASE						
Y	4	1	260-0251	2	ROCKER ARM GP (UNIT INJECTOR)						51
Y	5	1	385-4639	2	ROCKER ARM GP (INLET)						53
Y	6	1	261-2294	2	ROCKER ARM GP (EXHAUST)						52
M	7	1	<b>241-0847</b>	2	BOLT (M12X1.75X93-MM)						

M - METRIC PART

Y - SEPARATE ILLUSTRATION



GRAPHIC #1

<END>

g01207508

# BASIC ENGINE

## 116-1091 SEAL GP-CRANKSHAFT

S/N: PW31-UP

REAR

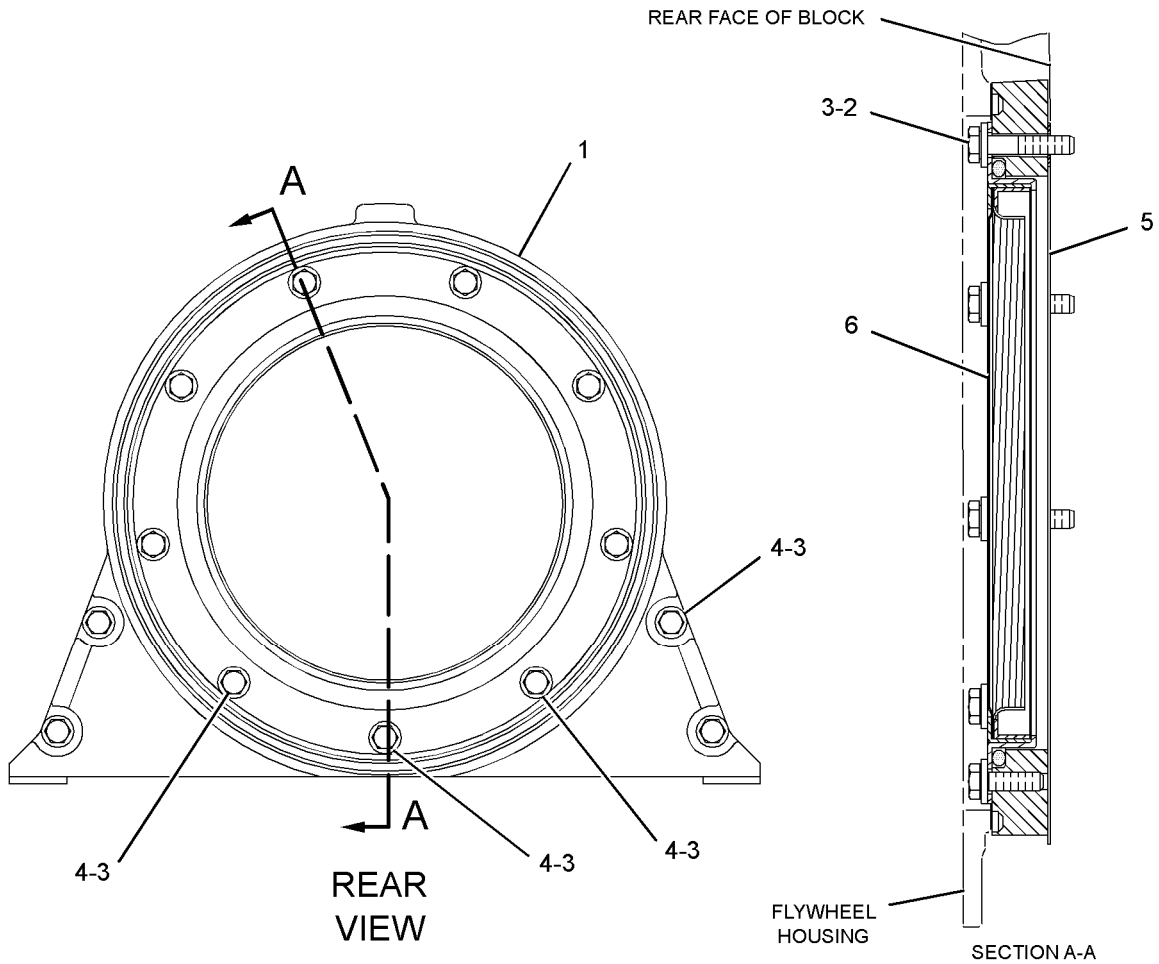
PART OF 434-3726 ENGINE AR-COMPLETE

SMCS-1160, 1161

i06866902

NOTE	REF NO	GRAPHIC REF	PART NUMBER	QTY	PART NAME						SEE PAGE
					1	2	3	4	5	6 (PRODUCT LEVEL)	
	1	1	<b>160-2323</b>	1	COVER						
M	2	1	<b>8T-0640</b>	6	BOLT (M6X1X30-MM)						
	3	1	<b>5P-0537</b>	13	WASHER-HARD (7.2X14.5X2-MM THK)						
R	4	1	<b>294-6007</b>	7	BOLT-HEAD LOCKING (M6X1X18-MM)						
	5	1	<b>7C-1583</b>	1	GASKET						
	6	1	<b>226-4757</b>	1	SEAL GP-CRANKSHAFT						

M - METRIC PART  
R - REMANUFACTURED PART MAY BE AVAILABLE



GRAPHIC #1

<END>

g06146858

# BASIC ENGINE

## 293-9276 SUPPORT GP-ENGINE

S/N: PW31-UP

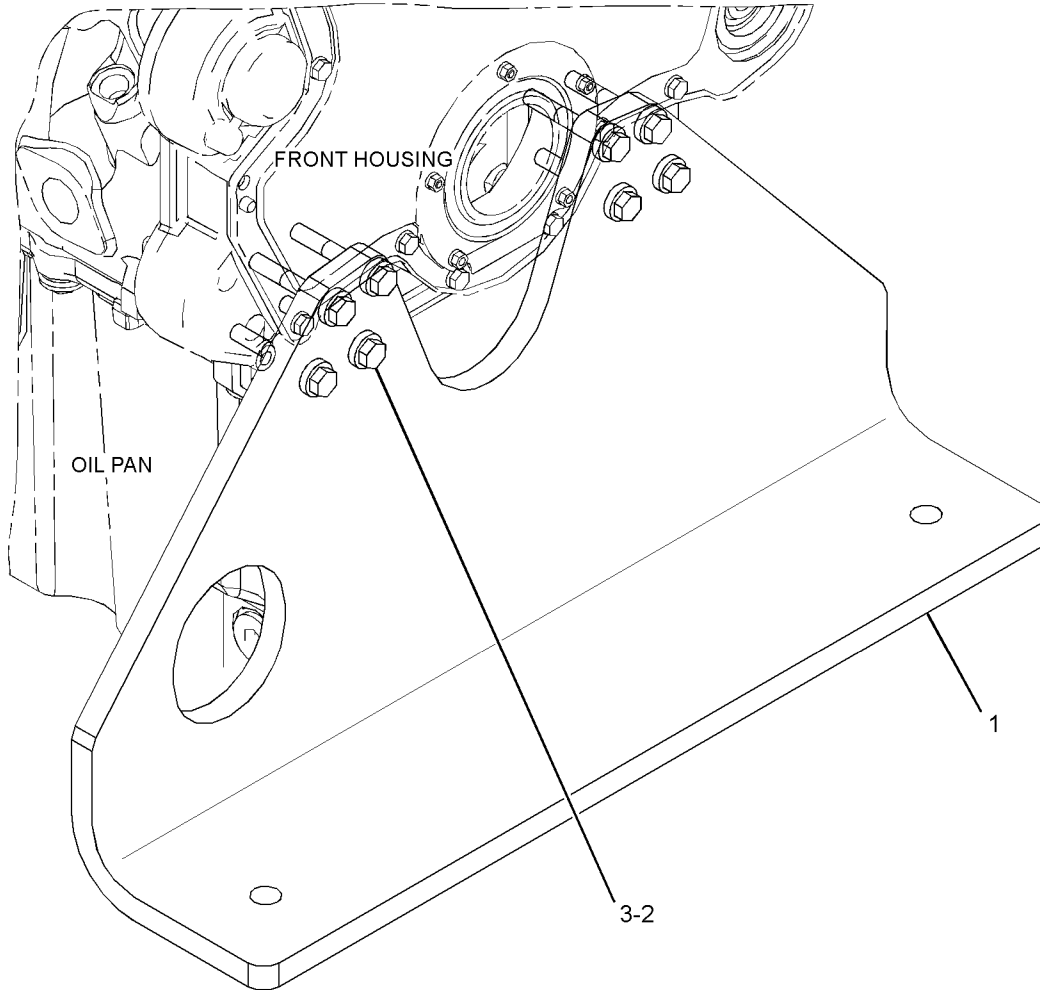
PART OF 434-3726 ENGINE AR-COMplete

SMCS-1152, 1153, 1154

i05751682

NOTE	REF NO	GRAPHIC REF	PART NUMBER	QTY	PART NAME						SEE PAGE
					1	2	3	4	5	6 (PRODUCT LEVEL)	
	1	1	<b>379-8552</b>	1	SUPPORT-ENGINE						
	2	1	<b>039-8557</b>	8	WASHER (13X26X6-MM THK)						
M	3	1	<b>6V-5696</b>	8	BOLT (M12X1.75X80-MM)						

M - METRIC PART



GRAPHIC #1

<END>

g02942878

# BASIC ENGINE

## 240-7272 VALVE MECHANISM GP

S/N: PW31-UP

SMCS-1102, 1121, 1123, 1209

i05327555

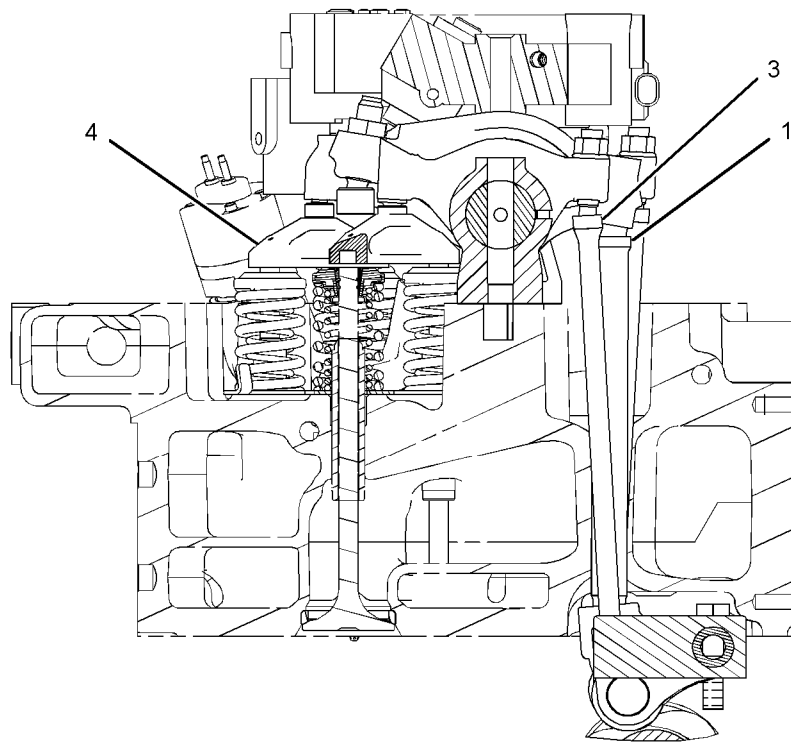
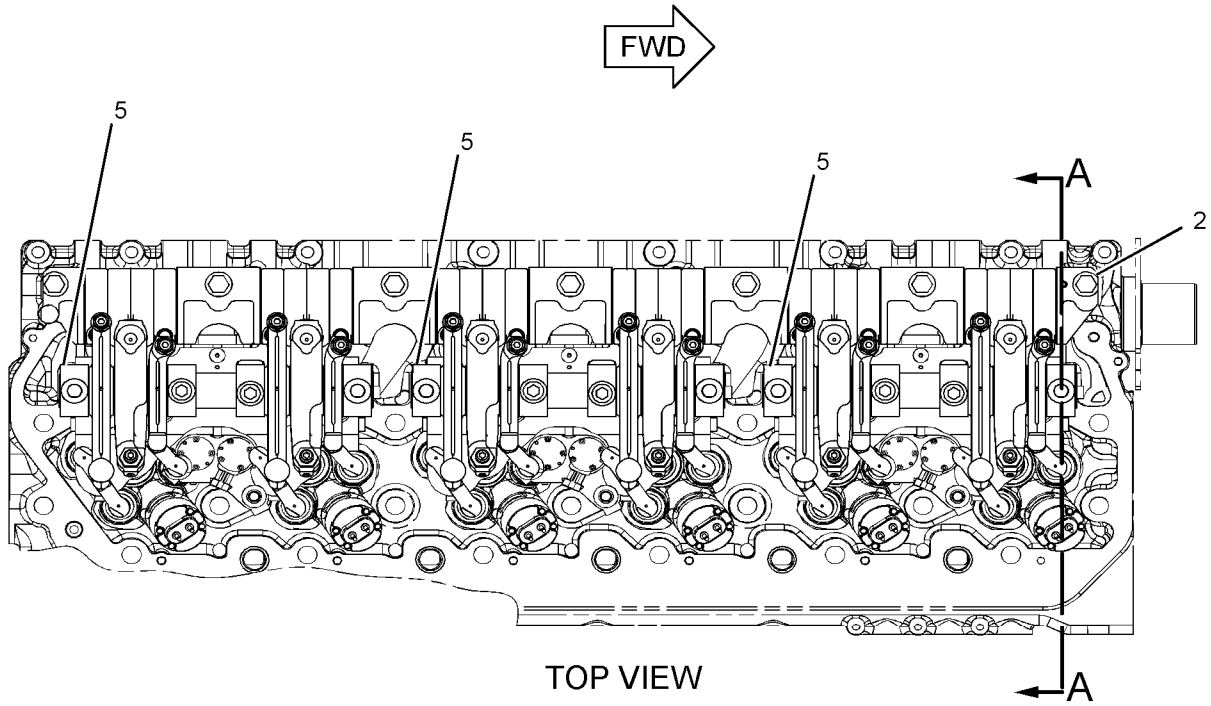
NOTE	REF NO	GRAPHIC REF	PART NUMBER	QTY	PART NAME	SEE PAGE
					1 2 3 4 5 6 (PRODUCT LEVEL)	
	1	1	<b>319-0271</b>	6	PUSHROD-INJECTOR	
Y	2	1	237-4376	1	LIFTER GP-VALVE (MECHANISM)	36
	3	1	<b>319-0270</b>	12	PUSHROD-VALVE	
	4	1	<b>237-7253</b>	12	BRIDGE-VALVE	
CY	5	1	396-4102	3	ROCKER ARM GP	54

C - CHANGE FROM PREVIOUS TYPE  
Y - SEPARATE ILLUSTRATION

# BASIC ENGINE

240-7272 VALVE MECHANISM GP (contd.)

105327555



GRAPHIC #1

<END>

g01291144

# LUBRICATION SYSTEM

## 260-6883 BASE GP-OIL FILTER-ENGINE, SINGLE FILTER

S/N: PW31-UP

WITH ENGINE OIL SAMPLING VALVE  
FOR USE WITH RIGHT HAND STARTER APPLICATIONS  
PART OF 434-3726 ENGINE AR-COMplete

SMCS-1306

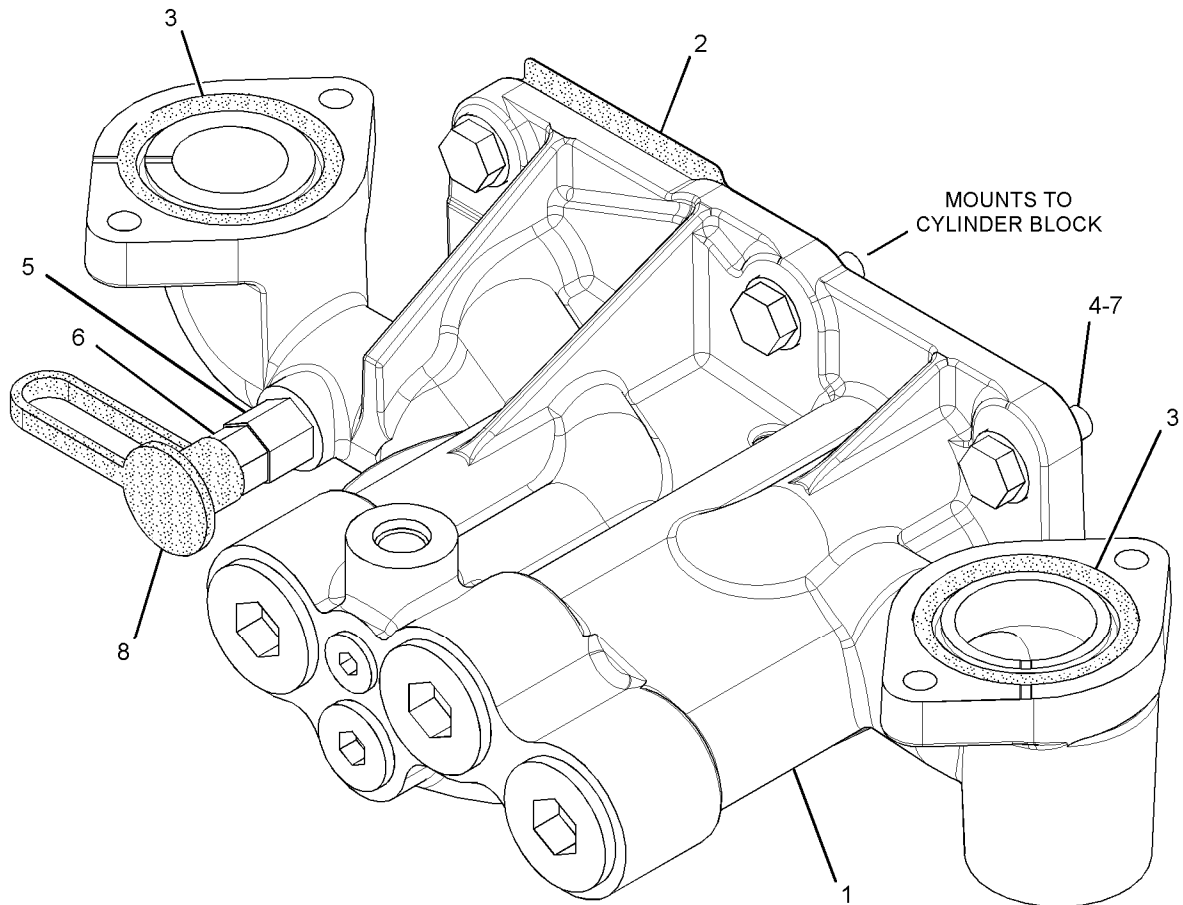
i07222207

NOTE	REF NO	GRAPHIC REF	PART NUMBER	QTY	PART NAME						SEE PAGE
					1	2	3	4	5	6 (PRODUCT LEVEL)	
CY	1	1	<b>530-2299</b>	1	BASE GP-OIL FILTER (ENGINE)						60
	2	1	<b>336-2216</b>	1	GASKET-FILTER BASE						
	3	1	<b>113-5304</b>	2	SEAL-O-RING						
M	4	1	<b>134-5245</b>	6	BOLT (M10X1.5X30-MM)						
	5	1	<b>319-6208</b>	1	ADAPTER AS						
		1	<b>5P-9617</b>	1	ADAPTER						
		1	<b>214-7568</b>	1	SEAL-O-RING						
	6	1	<b>321-8649</b>	1	VALVE AS-FLUID SAMPLING (ENGINE OIL)						
	6A	1	<b>8C-3446</b>	1	VALVE-SAMPLING						
		1	<b>214-7566</b>	1	SEAL-O-RING (ENGINE OIL)						
	7	1	<b>6V-5839</b>	6	WASHER (11X21X2.5-MM THK)						
8	1	<b>8C-3445</b>	1	CAP-DUST							

C - CHANGE FROM PREVIOUS TYPE

M - METRIC PART

Y - SEPARATE ILLUSTRATION



GRAPHIC #1

<END>

g02276214



# LUBRICATION SYSTEM

## 530-2299 BASE GP-OIL FILTER

S/N: PW31-UP

PART OF 260-6883 BASE GP-OIL FILTER

SMCS-1306

i07222201

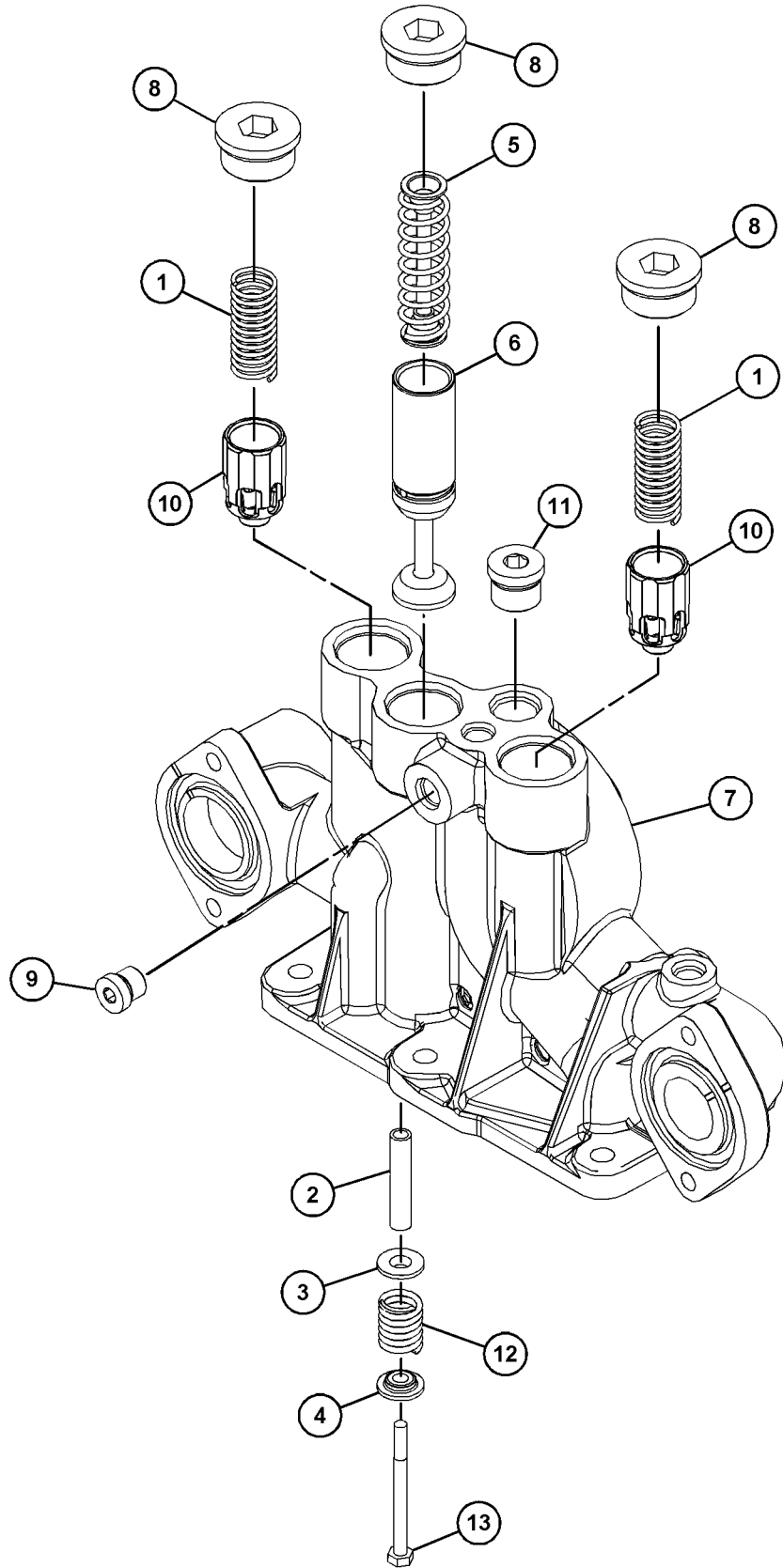
NOTE	REF NO	GRAPHIC REF	PART NUMBER	QTY	PART NAME						SEE PAGE
					1	2	3	4	5	6 (PRODUCT LEVEL)	
	1	1	<b>4N-8150</b>	2	SPRING						
	2	1	<b>7C-3081</b>	1	SPACER (6.88X9.53X50-MM THK)						
	3	1	<b>7C-3082</b>	1	RETAINER						
	4	1	<b>7C-3083</b>	1	SEAT-RELIEF VALVE SPRING						
	5	1	<b>7C-3954</b>	1	SPRING AS						
	6	1	<b>224-3405</b>	1	VALVE AS (OIL PUMP BYPASS)						
	7	1	<b>281-1750</b>	1	BASE AS-OIL FILTER (ENGINE)						
		1	<b>2P-4304</b>	1	STUD-HOLLOW						
	8	1	<i>319-6234</i>	3	PLUG AS						
					(EACH INCLUDES)						
		1	<b>9S-9334</b>	1	PLUG (1-5/16-12-THD)						
		1	<b>238-5084</b>	1	SEAL-O-RING						
	9	1	<i>389-3708</i>	2	PLUG AS						
					(EACH INCLUDES)						
		1	<b>214-7568</b>	1	SEAL-O-RING						
		1	<b>360-3679</b>	1	PLUG-CONNECTOR (9/16-18-THD)						
	10	1	<b>392-9208</b>	2	PLUNGER-VALVE (RELIEF)						
	11	1	<i>398-5601</i>	1	PLUG AS						
		1	<b>238-5081</b>	1	SEAL-O-RING						
		1	<b>360-3681</b>	1	PLUG (7/8-14-THD)						
	12	1	<b>368-3986</b>	1	SPRING						
M	13	1	<b>6V-8359</b>	1	BOLT (M6X1X70-MM)						

M - METRIC PART

# LUBRICATION SYSTEM

530-2299 BASE GP-OIL FILTER (contd.)

107222201



GRAPHIC #1

<END>

g06256957

# LUBRICATION SYSTEM

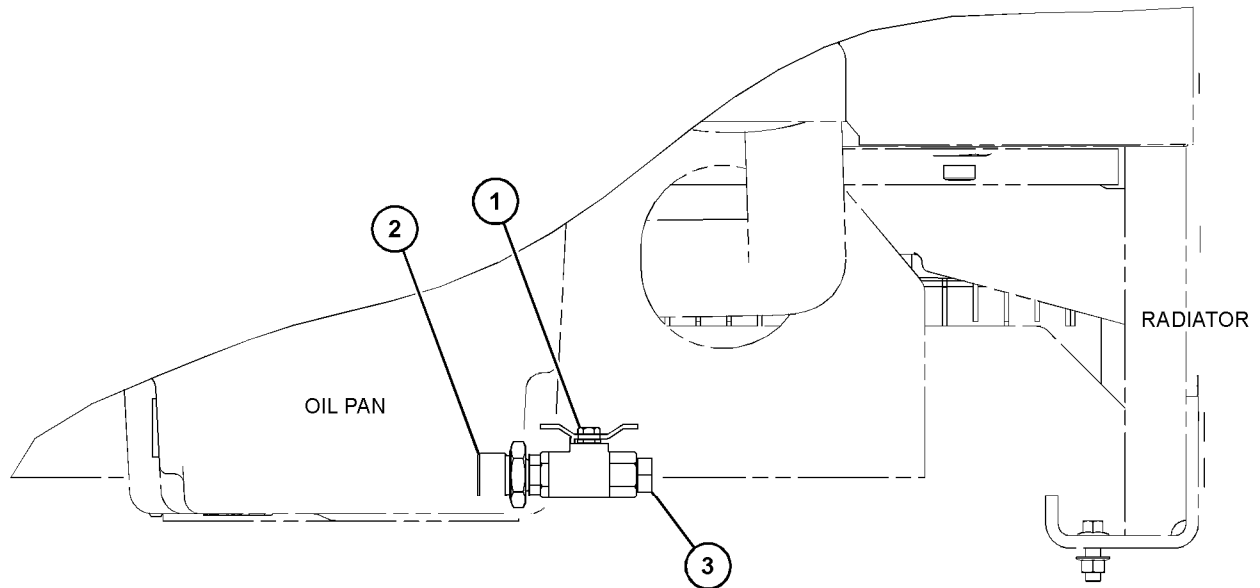
## 452-8603 DRAIN GP-OIL

S/N: S341-UP  
AN ATTACHMENT

SMCS-1372

i07868024

NOTE	REF NO	GRAPHIC REF	PART NUMBER	QTY	PART NAME						SEE PAGE
					1	2	3	4	5	6 (PRODUCT LEVEL)	
	1	1	<b>377-9580</b>	1	VALVE AS-BALL						
		1	<b>3K-0360</b>	1	SEAL-O-RING						
		1	<b>156-2525</b>	1	VALVE-SHUTOFF						
	2	1	<i>392-0774</i>	1	CONNECTOR AS						
		1	<b>3E-7427</b>	1	ADAPTER						
		1	<b>279-2252</b>	1	SEAL-O-RING						
	3	1	<i>148-8411</i>	1	PLUG AS						
		1	<b>3K-0360</b>	1	SEAL-O-RING						
		1	<b>9S-4185</b>	1	PLUG (3/4-16-THD)						



RIGHT SIDE VIEW OF ENGINE

GRAPHIC #1

<END>

g03851219

# LUBRICATION SYSTEM

## 244-8677 FILLER GP-ENGINE OIL-LEFT FRONT

S/N: PW31-UP

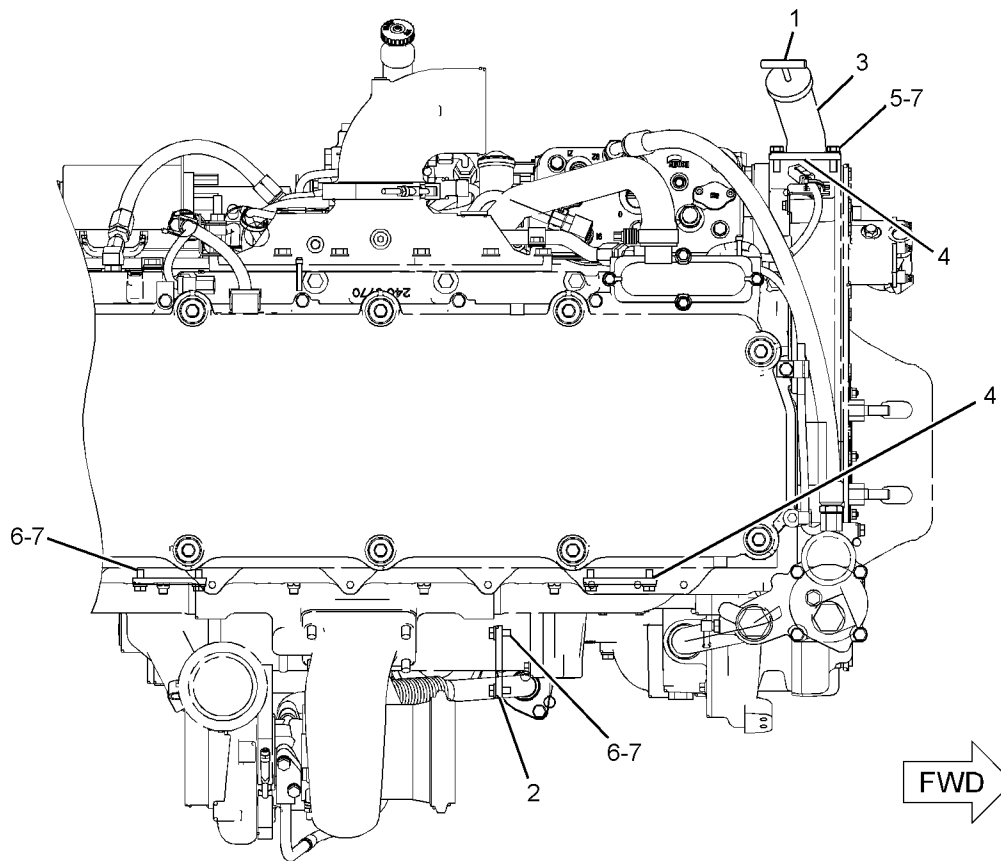
PART OF 434-3726 ENGINE AR-COMplete

SMCS-1316

i05781795

NOTE	REF NO	GRAPHIC REF	PART NUMBER	QTY	PART NAME						SEE PAGE
					1	2	3	4	5	6 (PRODUCT LEVEL)	
	1	1	<b>068-4497</b>	1	CAP-OIL FILLER (ENGINE)						
	2	1	<b>7C-1445</b>	3	COVER						
	3	1	<b>264-4288</b>	1	TUBE-OIL FILLER						
	4	1	<b>061-9455</b>	4	SEAL-O-RING						
M	5	1	<b>6V-3940</b>	2	BOLT (M8X1.25X25-MM)						
M	6	1	<b>6V-5217</b>	6	BOLT (M8X1.25X20-MM)						
	7	1	<b>9M-1974</b>	8	WASHER-HARD (8.8X16X2-MM THK)						

M - METRIC PART



TOP VIEW

GRAPHIC #1

<END>

g01309038

# LUBRICATION SYSTEM

## 231-3492 FILTER GP-ENGINE OIL

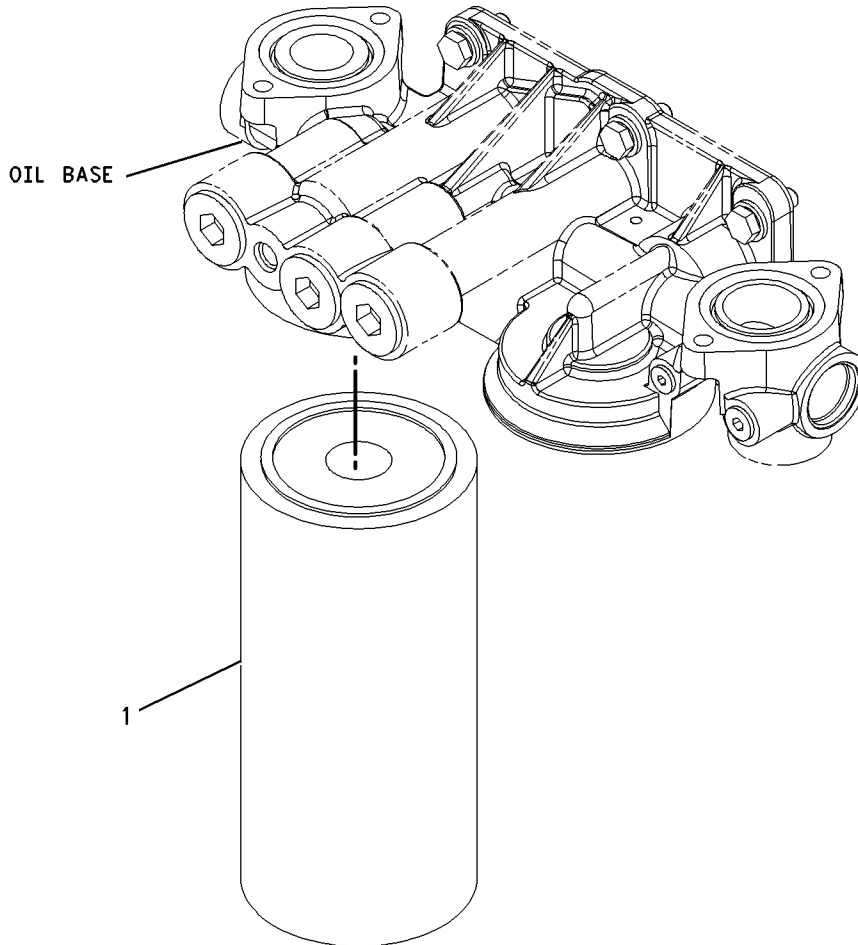
S/N: PW31-UP

PROVIDES PRIMARY ADVANCED EFFICIENCY OIL FILTER  
PART OF 434-3726 ENGINE AR-COMplete

SMCS-1306, 1308

i05781503

NOTE	REF NO	GRAPHIC REF	PART NUMBER	QTY	PART NAME	SEE PAGE
					1 2 3 4 5 6 (PRODUCT LEVEL)	
	1	1	<b>1R-1808</b>	1	FILTER-ENGINE OIL (ADVANCED EFFICIENCY)	



GRAPHIC #1

<END>

g00951313

# LUBRICATION SYSTEM

## 463-2468 FUMES DISPOSAL GP

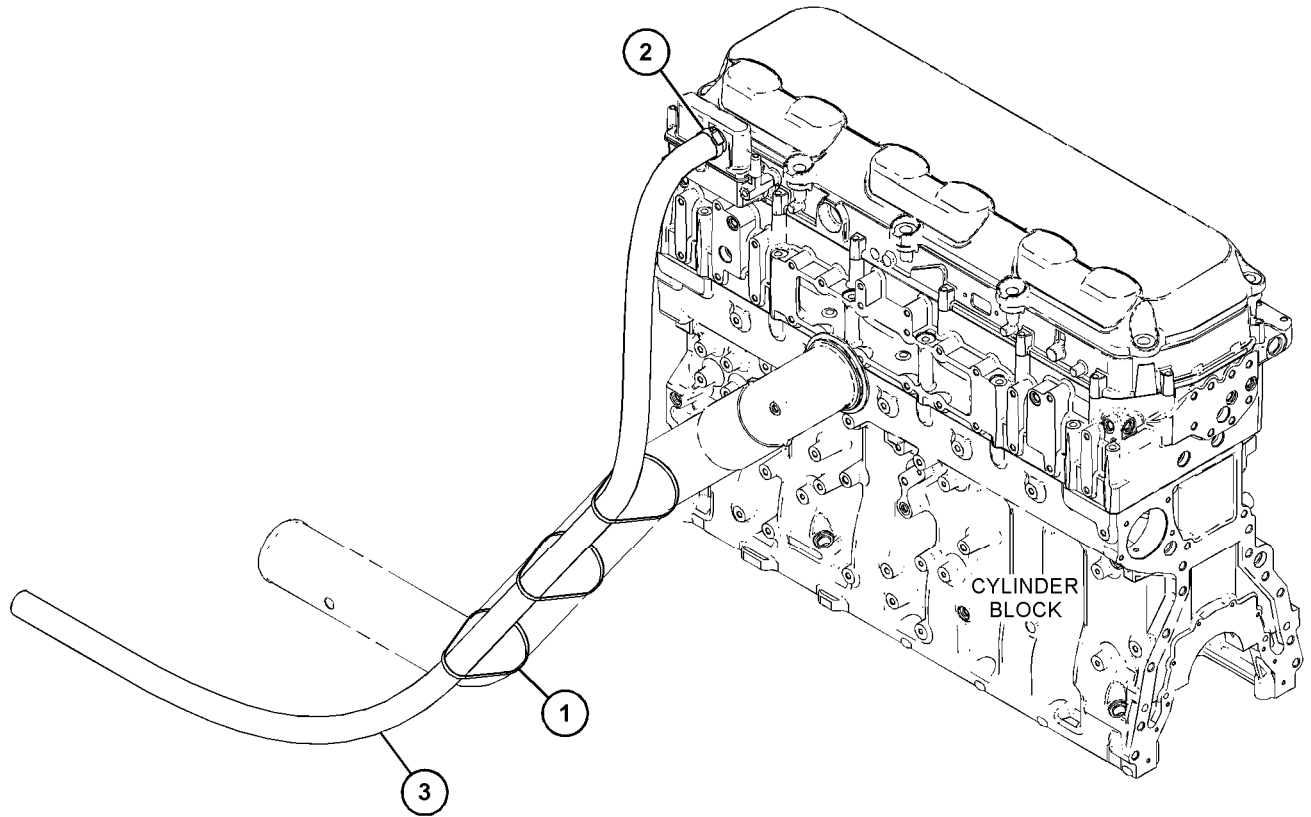
S/N: S341-UP  
AN ATTACHMENT

SMCS-1074, 1317

i07141061

NOTE	REF NO	GRAPHIC REF	PART NUMBER	QTY	PART NAME						SEE PAGE
					1	2	3	4	5	6 (PRODUCT LEVEL)	
	1	1	<b>034-1432</b>	3	STRAP-CABLE						
	2	1	<b>9M-7958</b>	1	CLAMP-HOSE						
E	3	1	<b>339-4300</b>		HOSE (236-CM)						

E - ORDER BY THE CENTIMETER



GRAPHIC #1

<END>

g06079903

# LUBRICATION SYSTEM

## 423-0920 GAUGE GP-OIL LEVEL (DIPSTICK)

S/N: PW31-UP

LEFT FRONT

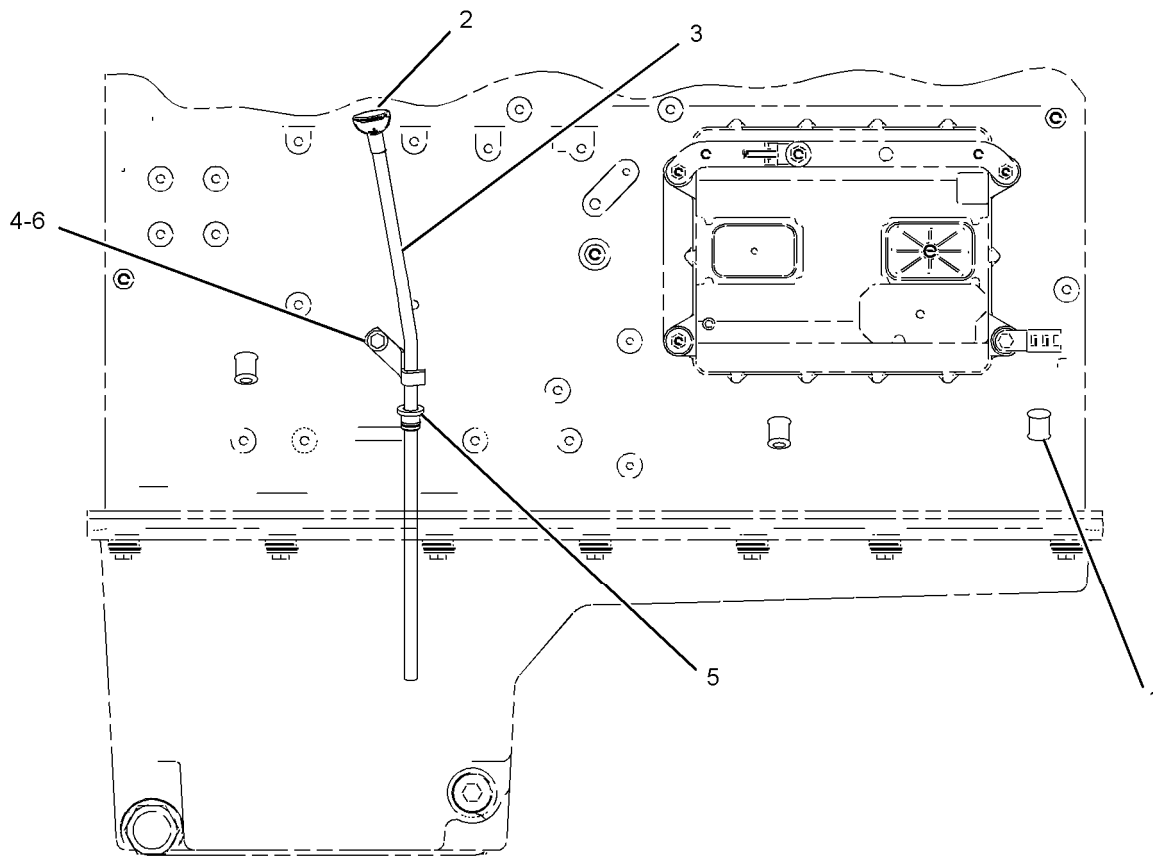
PART OF 434-3726 ENGINE AR-COMplete

SMCS-1326

i06211318

NOTE	REF NO	GRAPHIC REF	PART NUMBER	QTY	PART NAME						SEE PAGE
					1	2	3	4	5	6 (PRODUCT LEVEL)	
	1	1	<b>209-7309</b>	3	PLUG						
	2	1	<b>423-0910</b>	1	GAUGE AS-OIL LEVEL (DIPSTICK) (ENGINE)						
	3	1	<b>133-7047</b>	1	TUBE AS-OIL GAUGE						
	4	1	<b>3E-4352</b>	1	WASHER-HARD (8.8X20.5X2.5-MM THK)						
	5	1	<b>228-4947</b>	1	SEAL-O-RING						
M	6	1	<b>6V-5215</b>	1	BOLT (M8X1.25X16-MM)						

M - METRIC PART



LEFT SIDE VIEW

GRAPHIC #1

<END>

g01118204

# LUBRICATION SYSTEM

## 295-8847 LINES GP-TURBOCHARGER OIL

S/N: PW31-UP

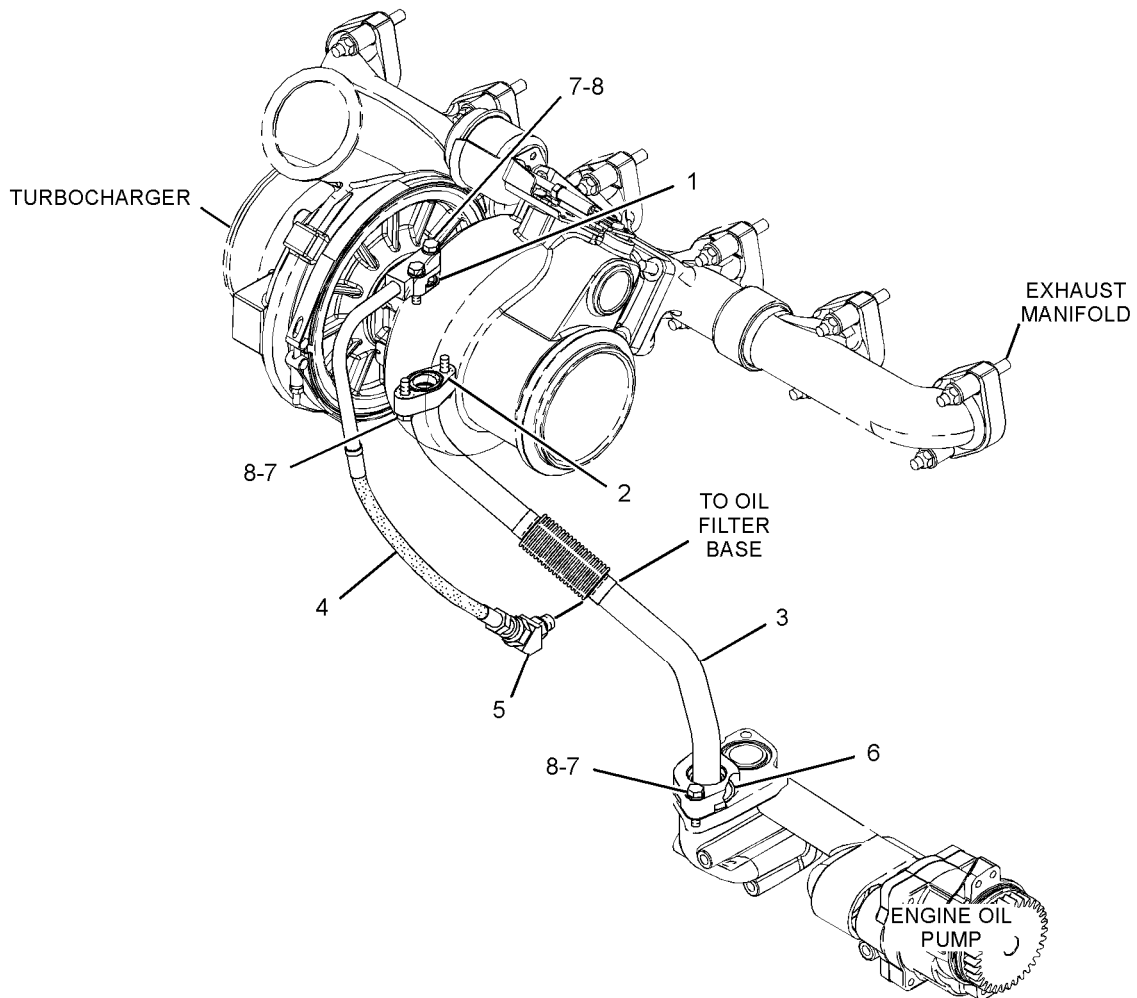
PART OF 434-3726 ENGINE AR-COMplete

SMCS-1052, 1307

i06682978

NOTE	REF NO	GRAPHIC REF	PART NUMBER	QTY	PART NAME						SEE PAGE
					1	2	3	4	5	6 (PRODUCT LEVEL)	
	1	1	<b>197-8418</b>	1	GASKET						
	2	1	<b>197-8419</b>	1	GASKET (TURBOCHARGER)						
	3	1	<b>293-5977</b>	1	TUBE AS						
	4	1	<b>293-5978</b>	1	HOSE AS						
	5	1	<b>260-9221</b>	1	ELBOW AS						
		1	<b>9X-2085</b>	1	ELBOW						
		1	<b>214-7568</b>	1	SEAL-O-RING						
		1	<b>228-7090</b>	1	SEAL-O-RING						
	6	1	<b>225-6948</b>	1	SEAL-O-RING						
M	7	1	<b>6V-5218</b>	6	BOLT (M8X1.25X35-MM)						
	8	1	<b>9M-1974</b>	6	WASHER-HARD (8.8X16X2-MM THK)						

M - METRIC PART



GRAPHIC #1

<END>

g06071871



# LUBRICATION SYSTEM

## 233-5220 PUMP GP-ENGINE OIL\*R

S/N: PW31-UP

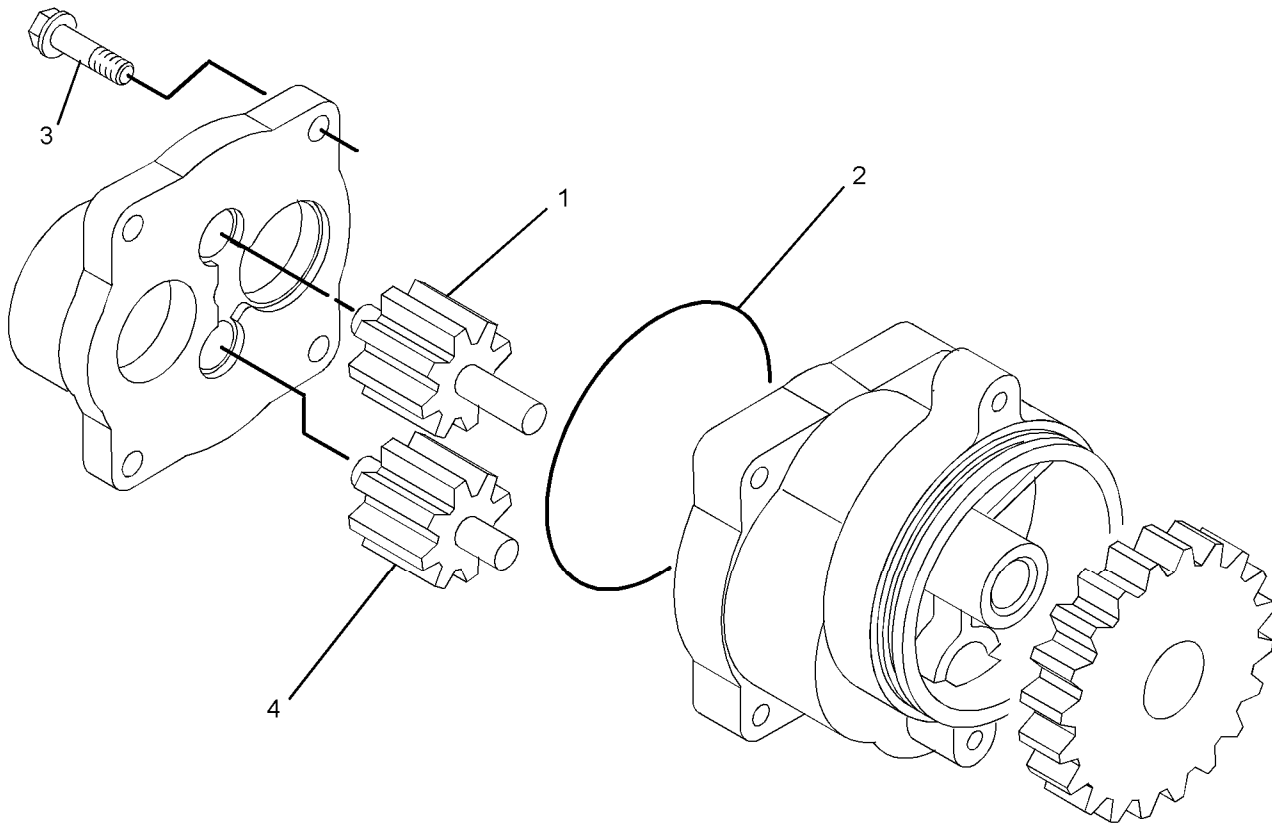
PART OF 233-5221 PUMP GP-ENGINE OIL

SMCS-1304, 1315

i07854586

NOTE	REF NO	GRAPHIC REF	PART NUMBER	QTY	PART NAME						SEE PAGE
					1	2	3	4	5	6 (PRODUCT LEVEL)	
	1	1	<b>9Y-8076</b>	1	SHAFT AS-OIL PUMP (8-TEETH) (ENGINE)						
	2	1	<b>6D-7146</b>	1	SEAL-O-RING						
M	3	1	<b>208-9283</b>	4	BOLT-FLANGE HEAD (M8X1.25X30-MM)						
	4	1	<b>9Y-8075</b>	1	SHAFT AS-OIL PUMP (8-TEETH) (ENGINE)						

M - METRIC PART



GRAPHIC #1

<END>

g03877388

# LUBRICATION SYSTEM

## 233-5221 PUMP GP-ENGINE OIL

S/N: PW31-UP

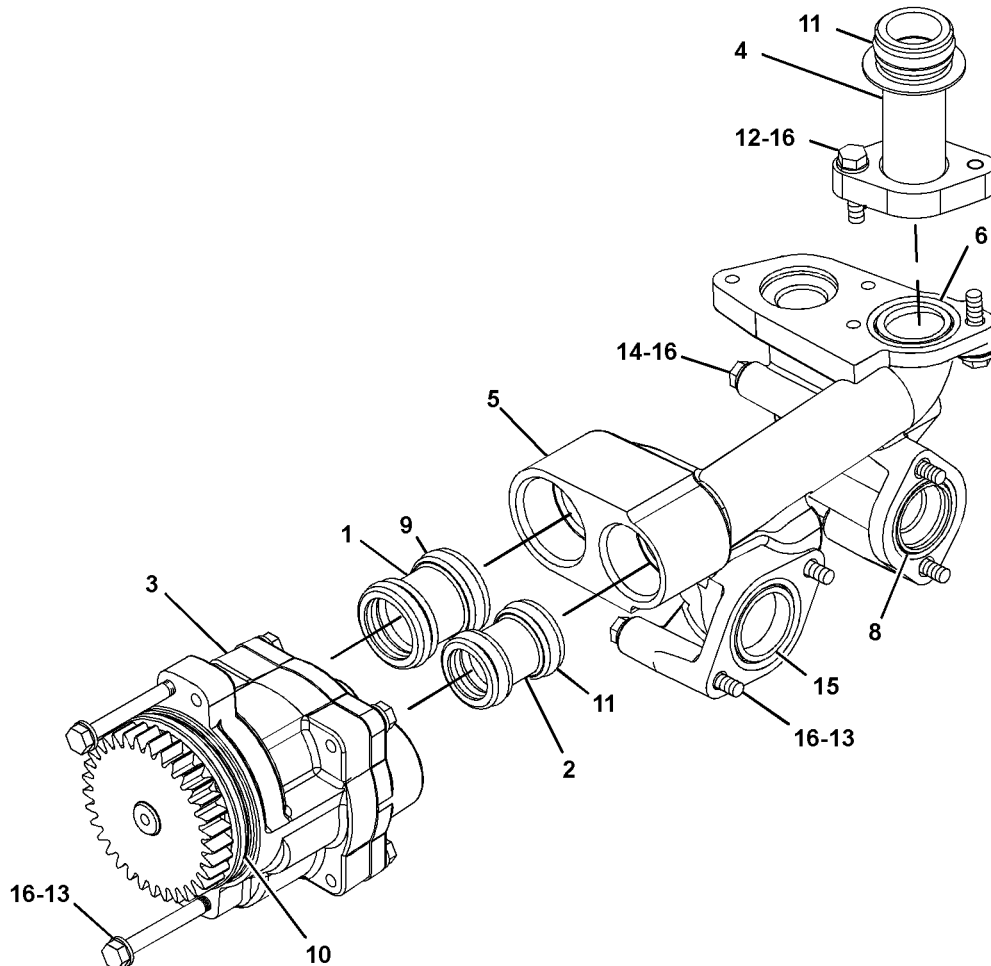
CONTAINS ALL LINES AND FASTENERS

SMCS-1304, 1315

i06611656

NOTE	REF NO	GRAPHIC REF	PART NUMBER	QTY	PART NAME						SEE PAGE
					1	2	3	4	5	6	
	1	1	<b>7C-1821</b>	1	COUPLING						
	2	1	<b>7C-1822</b>	1	COUPLING						
YR	3	1	<b>233-5220</b>	1	PUMP GP-ENGINE OIL						68
	4	1	<b>493-6920</b>	1	TUBE AS						
	5	1	<b>235-1451</b>	1	ELBOW-OIL PUMP						
	6	1	<b>346-4897</b>	1	SEAL-O-RING						
	8	1	<b>3E-6788</b>	1	SEAL-O-RING						
	9	1	<b>5P-8068</b>	2	SEAL-O-RING						
	10	1	<b>6V-3834</b>	1	SEAL-O-RING						
	11	1	<b>6V-5134</b>	3	SEAL-O-RING						
M	12	1	<b>6V-2317</b>	2	BOLT (M8X1.25X30-MM)						
M	13	1	<b>6V-5221</b>	5	BOLT (M8X1.25X80-MM)						
M	14	1	<b>7X-0870</b>	1	BOLT (M8X1.25X140-MM)						
	15	1	<b>8J-4351</b>	1	SEAL-O-RING						
	16	1	<b>9M-1974</b>	8	WASHER-HARD (8.8X16X2-MM THK)						

M - METRIC PART  
R - REMANUFACTURED PART MAY BE AVAILABLE  
Y - SEPARATE ILLUSTRATION



GRAPHIC #1

<END>

g06049308

# COOLING SYSTEM

## 430-2533 COOLER GP-ENGINE OIL

S/N: PW31-UP

PART OF 434-3726 ENGINE AR-COMPLETE

SMCS-1378

i05774681

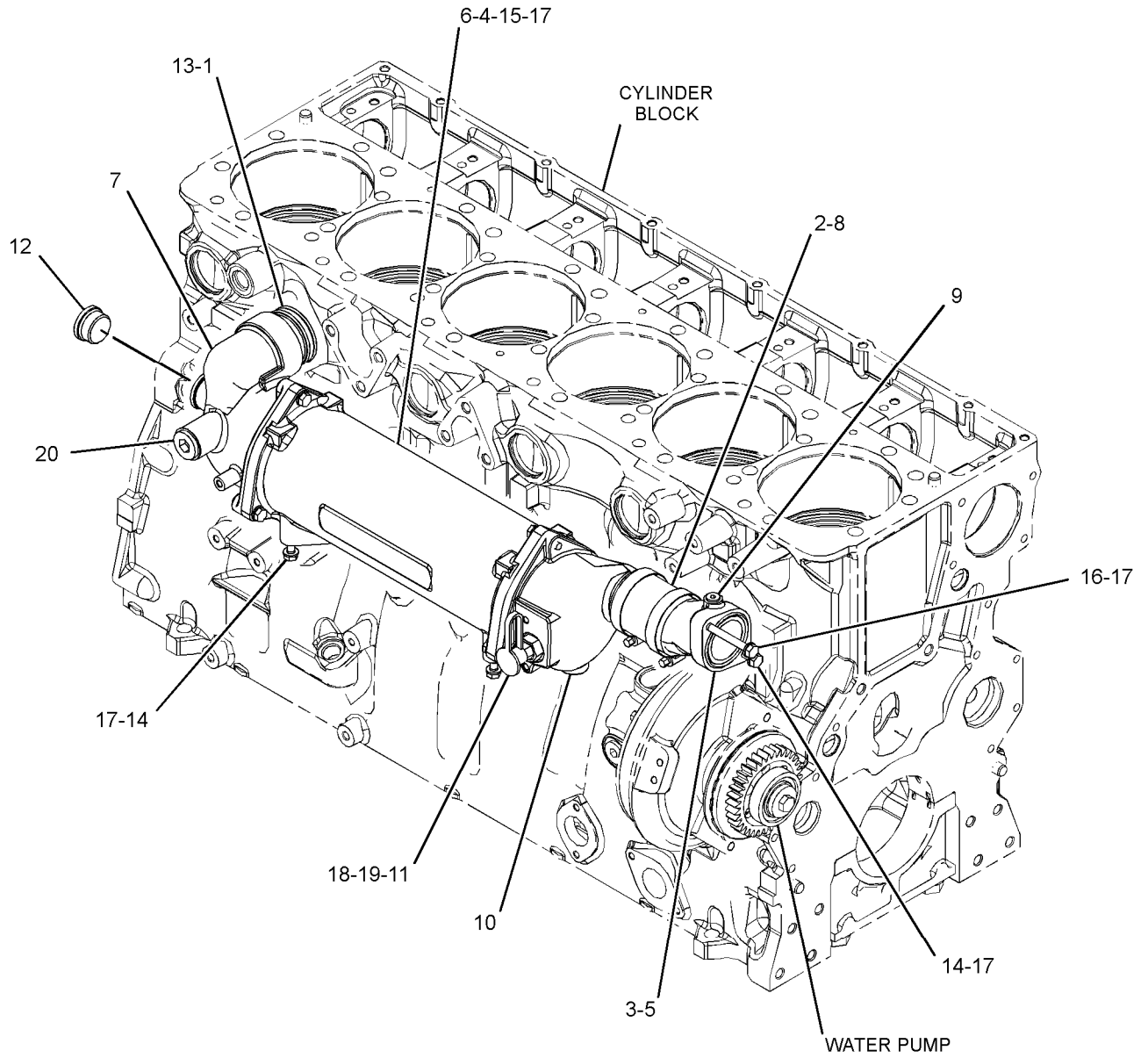
NOTE	REF NO	GRAPHIC REF	PART NUMBER	QTY	PART NAME						SEE PAGE
					1	2	3	4	5	6 (PRODUCT LEVEL)	
	1	1	<b>124-5043</b>	1	COUPLING						
	2	1	<b>131-6645</b>	1	HOSE						
	3	1	<b>224-2675</b>	1	SEAL						
	4	1	<b>213-9396</b>	2	SEAL-O-RING						
	5	1	<b>440-2907</b>	1	ELBOW						
R	6	1	<b>379-3436</b>	1	CORE AS-OIL COOLER (ENGINE)						
	7	1	<b>379-2169</b>	1	BONNET-OIL COOLER (REAR)						
	8	1	<b>335-9214</b>	2	CLAMP-BAND						
	9	1	<i>304-8008</i>	1	PLUG AS						
		1	<b>6V-9027</b>	1	SEAL-O-RING						
		1	<b>9S-8002</b>	1	PLUG (7/16-20-THD)						
	10	1	<b>373-3187</b>	1	BONNET-OIL COOLER (FRONT)						
	11	1	<i>392-0795</i>	1	ADAPTER AS						
		1	<b>6V-3251</b>	1	SEAL-O-RING						
		1	<b>8K-4739</b>	1	ADAPTER						
	12	1	<i>353-5144</i>	1	PLUG AS						
		1	<b>6V-5064</b>	1	SEAL-O-RING						
		1	<b>9S-9334</b>	1	PLUG (1-5/16-12-THD)						
	13	1	<b>2N-5243</b>	2	SEAL-O-RING						
M	14	1	<b>6V-2317</b>	5	BOLT (M8X1.25X30-MM)						
M	15	1	<b>6V-5218</b>	6	BOLT (M8X1.25X35-MM)						
M	16	1	<b>6V-5221</b>	1	BOLT (M8X1.25X80-MM)						
	17	1	<b>9M-1974</b>	12	WASHER-HARD (8.8X16X2-MM THK)						
	18	1	<b>157-0670</b>	1	CAP-DUST						
	19	1	<i>164-5590</i>	1	VALVE AS-FLUID SAMPLING (ENGINE OIL)						
		1	<b>3J-7354</b>	1	SEAL-O-RING						
		1	<b>8C-3446</b>	1	VALVE-SAMPLING (ENGINE OIL)						
Y	20	1	<i>384-3026</i>	1	PLUG GP-WATER LINES						83

M - METRIC PART  
R - REMANUFACTURED PART MAY BE AVAILABLE  
Y - SEPARATE ILLUSTRATION

# COOLING SYSTEM

430-2533 COOLER GP-ENGINE OIL (contd.)

105774681



GRAPHIC #1

<END>

g03527841

# COOLING SYSTEM

## 449-0731 DRAIN GP-COOLANT

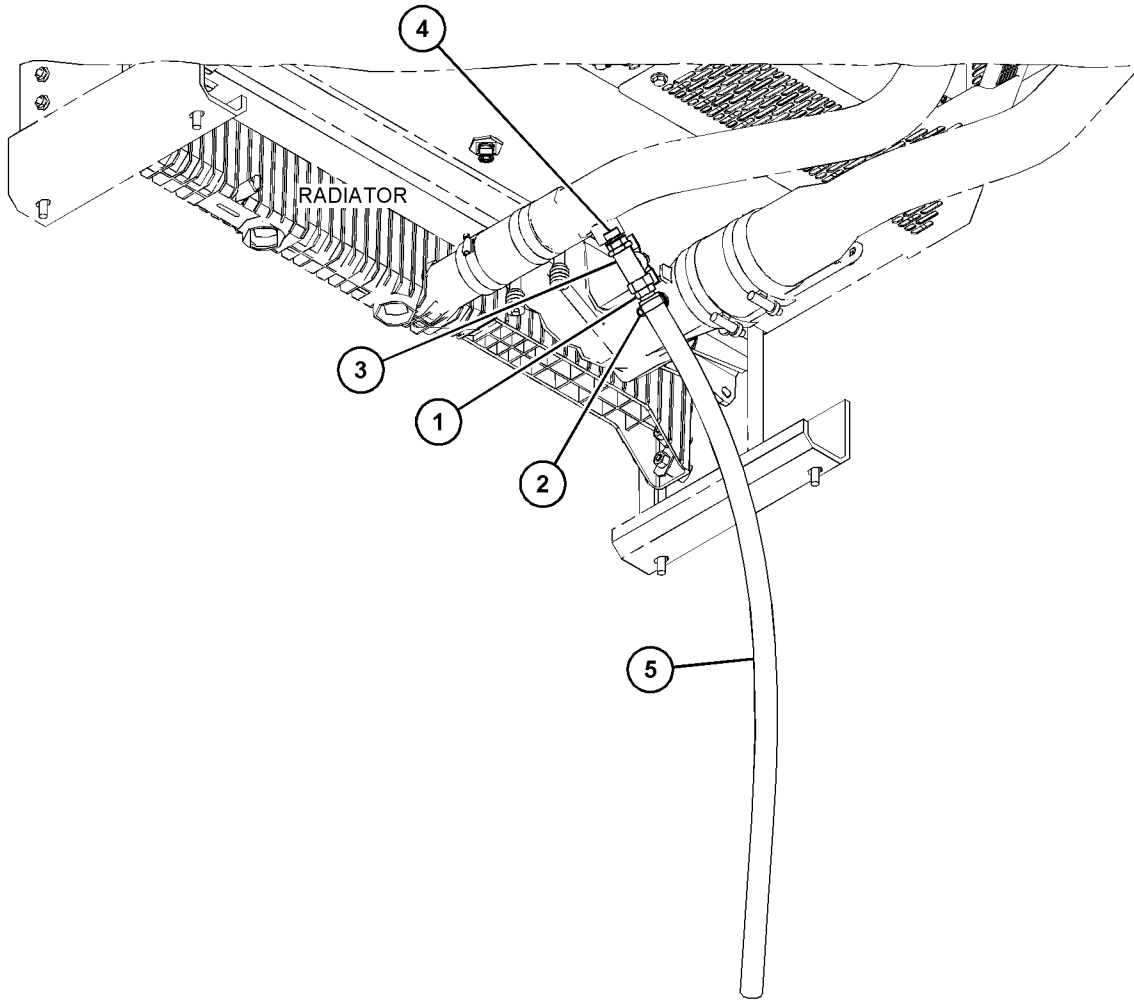
S/N: S341-UP  
AN ATTACHMENT

SMCS-1380

i06949704

NOTE	REF NO	GRAPHIC REF	PART NUMBER	QTY	PART NAME						SEE PAGE
					1	2	3	4	5	6 (PRODUCT LEVEL)	
	1	1	<b>163-4300</b>	1	ADAPTER AS						
		1	<b>3K-0360</b>	1	SEAL-O-RING						
		1	<b>377-9605</b>	1	ADAPTER						
	2	1	<b>159-1503</b>	1	CLAMP-HOSE						
	3	1	<b>281-5882</b>	1	VALVE-BALL						
	4	1	<b>3K-0360</b>	1	SEAL-O-RING						
E	5	1	<b>5P-0765</b>		HOSE (103-CM)						

E - ORDER BY THE CENTIMETER



GRAPHIC #1

<END>

g03655204

# COOLING SYSTEM

## 463-2541 GUARD GP-FAN

S/N: S341-UP

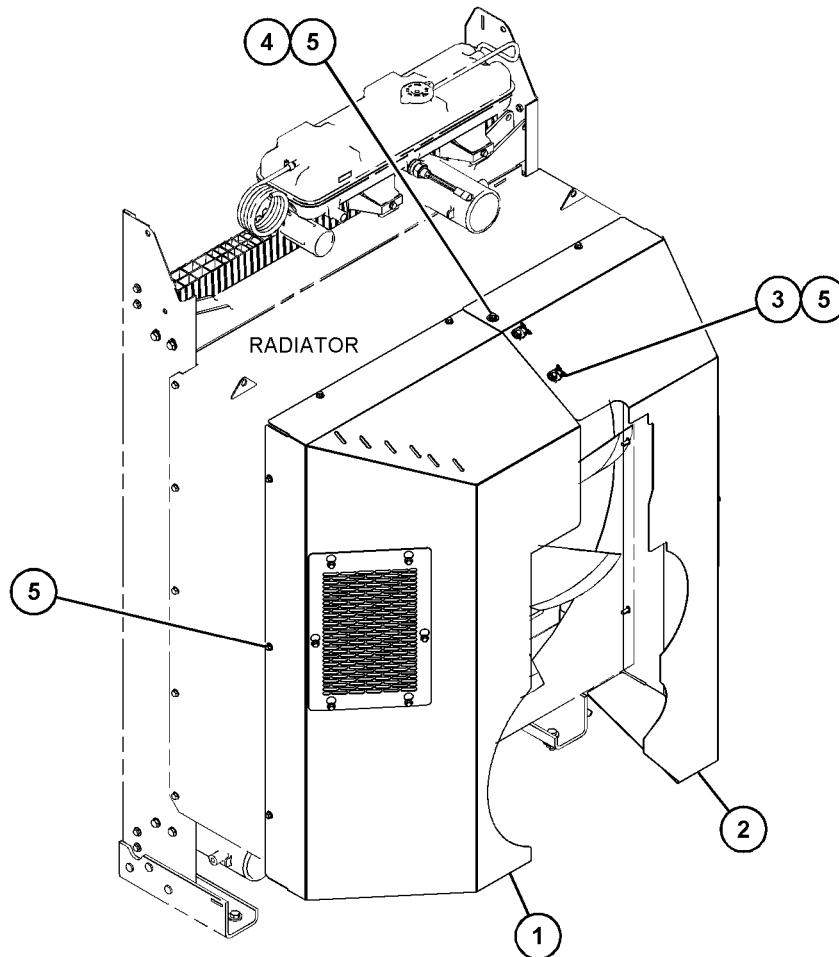
PART OF 463-2540 RADIATOR & AFTERCOOLER GP  
AN ATTACHMENT

SMCS-1360

i07141613

NOTE	REF NO	GRAPHIC REF	PART NUMBER	QTY	PART NAME						SEE PAGE
					1	2	3	4	5	6 (PRODUCT LEVEL)	
Y	1	1	463-2542	1	GUARD GP-FAN						74
Y	2	1	463-2547	1	GUARD GP-FAN						75
	3	1	204-8000	2	MOUNTING-CABLE TIE						
	4	1	260-6685	1	WASHER (9X25X1.6-MM THK)						
M	5	1	342-9920	12	BOLT-FLANGE HEAD (M8X1.25X20-MM)						

M - METRIC PART  
Y - SEPARATE ILLUSTRATION



GRAPHIC #1

<END>

g06094868

# COOLING SYSTEM

## 463-2542 GUARD GP-FAN

S/N: S341-UP

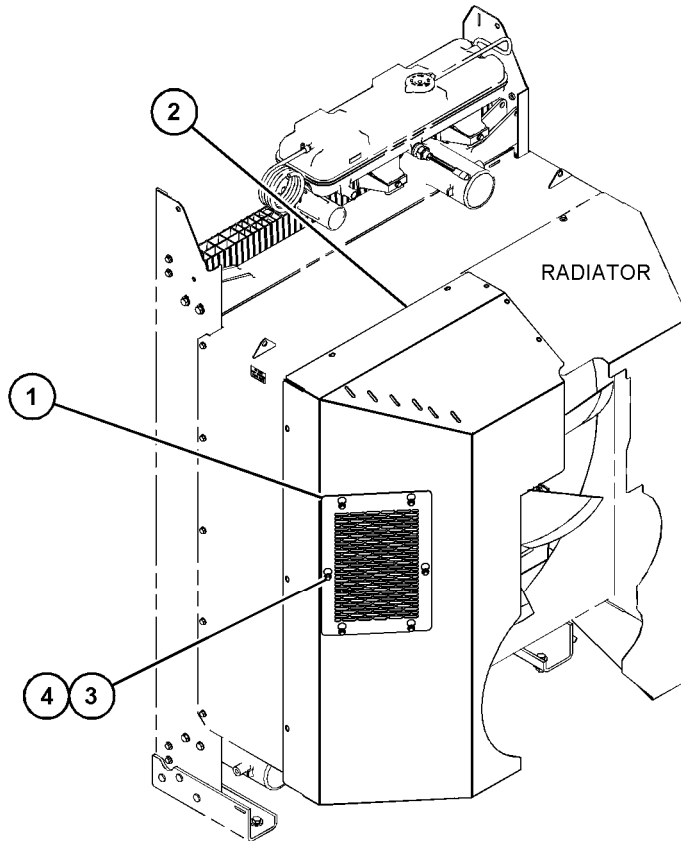
PART OF 463-2541 GUARD GP-FAN  
AN ATTACHMENT

SMCS-1360

i07141622

NOTE	REF NO	GRAPHIC REF	PART NUMBER	QTY	PART NAME						SEE PAGE
					1	2	3	4	5	6 (PRODUCT LEVEL)	
	1	1	<b>354-6455</b>	1	PLATE-COVER						
	2	1	<b>463-2543</b>	1	GUARD AS						
M		1	<b>8T-3612</b>	9	NUT-WELD (M8X1.25-THD)						
M	3	1	<b>112-8293</b>	6	BOLT-FLANGE HEAD (M8X1.25X30-MM)						
M	4	1	<b>6V-9189</b>	6	LOCKNUT (M8X1.25-THD)						

M - METRIC PART



GRAPHIC #1

<END>

g06094867

# COOLING SYSTEM

## 463-2547 GUARD GP-FAN

S/N: S341-UP

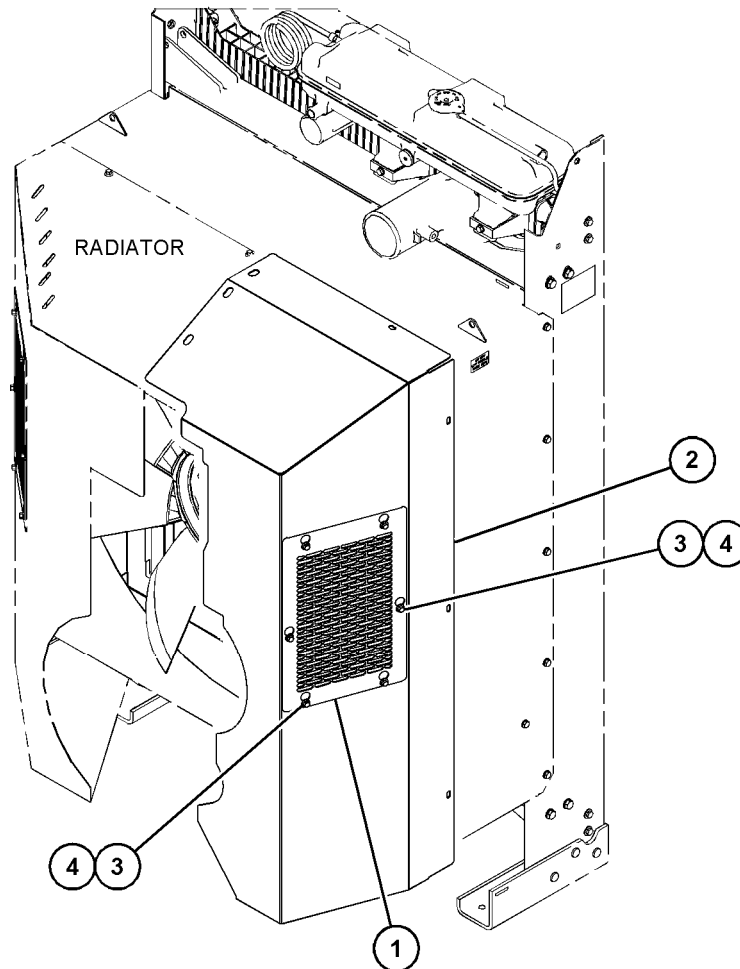
PART OF 463-2541 GUARD GP-FAN  
AN ATTACHMENT

SMCS-1360

i07141623

NOTE	REF NO	GRAPHIC REF	PART NUMBER	QTY	PART NAME						SEE PAGE
					1	2	3	4	5	6	
	1	1	<b>354-6455</b>	1	PLATE-COVER						
	2	1	<b>463-2548</b>	1	GUARD AS						
M		1	<b>8T-3612</b>	6	NUT-WELD (M8X1.25-THD)						
M	3	1	<b>112-8293</b>	6	BOLT-FLANGE HEAD (M8X1.25X30-MM)						
M	4	1	<b>6V-9189</b>	6	LOCKNUT (M8X1.25-THD)						

M - METRIC PART



GRAPHIC #1

<END>

g06096670



# COOLING SYSTEM

## 578-7668 LINES GP-COOLANT

S/N: S341-UP  
AN ATTACHMENT

SMCS-1380

i07867128

NOTE	REF NO	GRAPHIC REF	PART NUMBER	QTY	PART NAME						SEE PAGE
					1	2	3	4	5	6 (PRODUCT LEVEL)	
	1	1	<b>127-9323</b>	1	BRACKET AS						
M		1	<b>8T-3490</b>	1	NUT-WELD (M10X1.5-THD)						
	2	1	<b>262-0533</b>	1	ELBOW						
	3	1	<b>385-5775</b>	1	CONNECTOR AS						
		1	<b>2M-9780</b>	1	SEAL-O-RING						
		1	<b>131-2171</b>	1	CONNECTOR						
	4	1	<b>159-1503</b>	4	CLAMP-HOSE						
	5	1	<b>316-0488</b>	1	SPACER (11X25X78-MM THK)						
	6	1	<b>365-0578</b>	1	CONNECTOR AS						
		1	<b>2P-7636</b>	1	CONNECTOR (3/4-16 STR-THD)						
		1	<b>238-5080</b>	1	SEAL-O-RING						
	7	1	<b>4I-0472</b>	2	CLIP						
	8	1	<b>7X-0613</b>	1	WASHER-HARD (8.8X25.5X5-MM THK)						
M	9	1	<b>7X-2538</b>	1	BOLT (M8X1.25X100-MM)						
	10	1	<b>8T-4121</b>	5	WASHER-HARD (11X21X2.5-MM THK)						
M	11	1	<b>8T-4133</b>	2	NUT (M10X1.5-THD)						
M	12	1	<b>8T-4195</b>	3	BOLT (M10X1.5X30-MM)						
E	13	1	<b>6V-8843</b>		HOSE (137-CM)						
E	13A	1	<b>6V-8843</b>		HOSE (112-CM)						

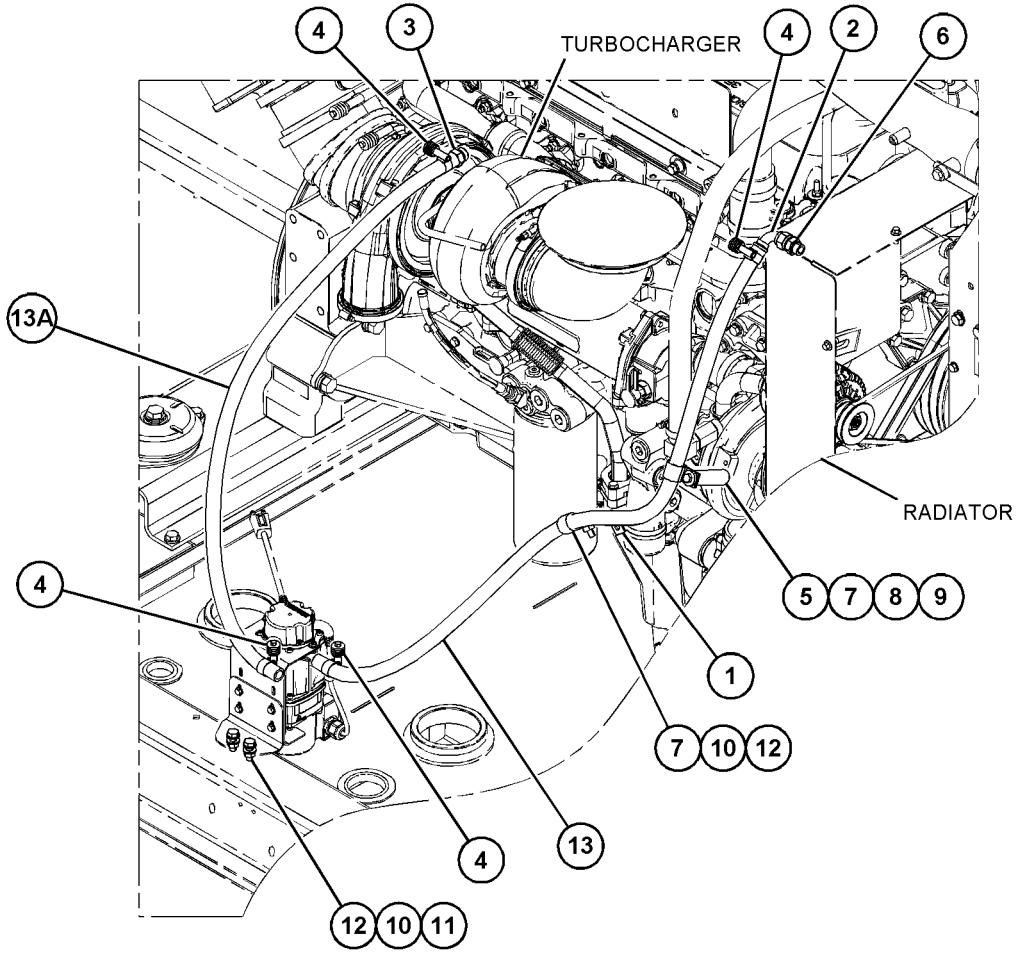
E - ORDER BY THE CENTIMETER

M - METRIC PART

# COOLING SYSTEM

578-7668 LINES GP-COOLANT (contd.)

107867128



GRAPHIC #1

<END>

g06465007

# COOLING SYSTEM

## 463-2552 LINES GP-VENT

S/N: S341-UP

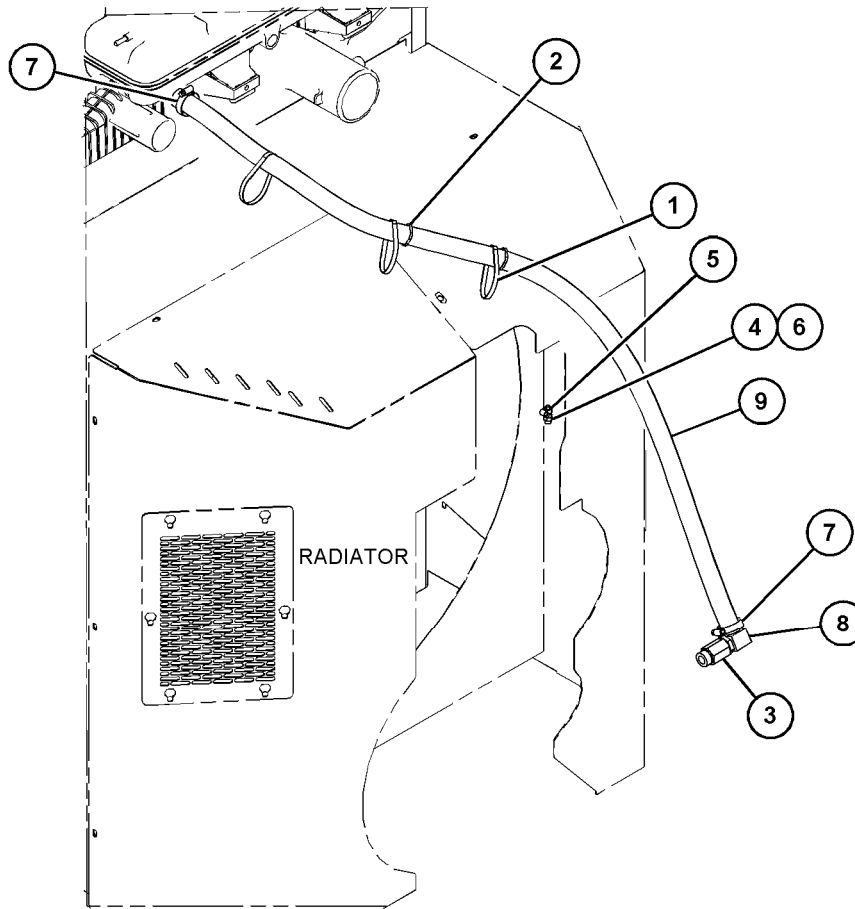
PART OF 463-2540 RADIATOR & AFTERCOOLER GP  
AN ATTACHMENT

SMCS-1380

i07141615

NOTE	REF NO	GRAPHIC REF	PART NUMBER	QTY	PART NAME						SEE PAGE
					1	2	3	4	5	6	
	1	1	<b>7K-1181</b>	3	STRAP-CABLE						
	2	1	<b>108-9656</b>	2	STRAP-CABLE						
	3	1	<i>148-8312</i>	1	ADAPTER AS						
		1	<b>3D-2824</b>	1	SEAL-O-RING						
		1	<b>3T-4965</b>	1	ADAPTER						
	4	1	<b>245-1398</b>	1	CONNECTOR						
	5	1	<b>262-0489</b>	1	CLAMP						
	6	1	<b>3J-7354</b>	1	SEAL-O-RING						
	7	1	<b>9M-7958</b>	2	CLAMP-HOSE						
	8	1	<i>9U-6998</i>	1	ADAPTER AS						
		1	<b>3D-2824</b>	1	SEAL-O-RING						
		1	<b>3E-4041</b>	1	ELBOW						
E	9	1	<b>371-8094</b>		HOSE (158-CM)						

E - ORDER BY THE CENTIMETER



GRAPHIC #1

<END>

g06097028

# COOLING SYSTEM

## 238-6725 LINES GP-WATER-SINGLE THERMOSTAT

S/N: PW31-UP

PROVIDES SINGLE THERMOSTAT WATER REGULATOR HOUSING WITH 190 DEGREE FAHRENHEIT THERMOSTAT, WATER BYPASS LINE, AND A VERTICAL 2 INCH WATER OUTLET CONNECTION PART OF 434-3726 ENGINE AR-COMPLETE

SMCS-1355, 1380, 1393

i05509501

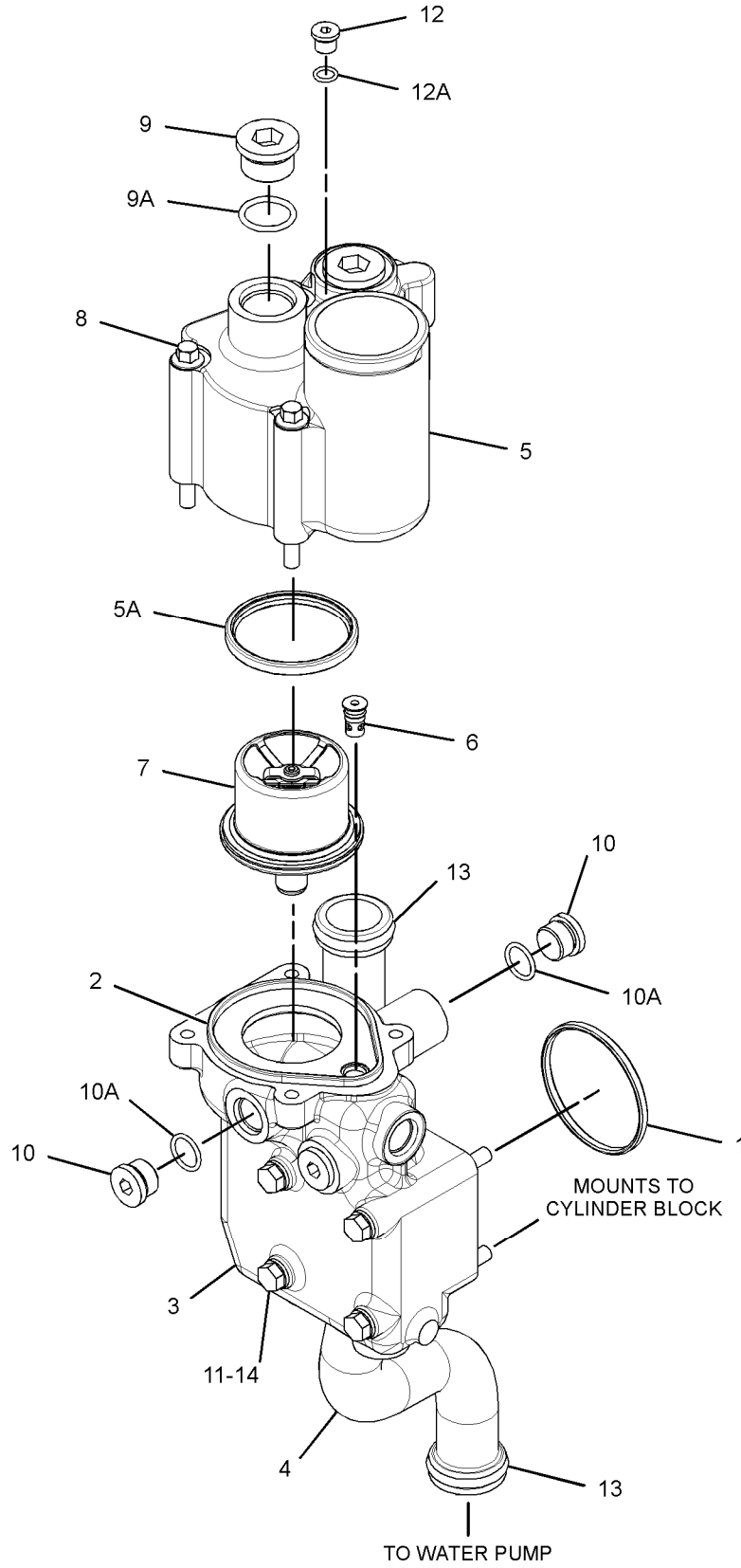
NOTE	REF NO	GRAPHIC REF	PART NUMBER	QTY	PART NAME						SEE PAGE
					1	2	3	4	5	6 (PRODUCT LEVEL)	
	1	1	<b>224-6361</b>	1	SEAL						
	2	1	<b>227-5075</b>	1	SEAL						
	3	1	<b>238-6721</b>	1	BASE						
	4	1	<b>238-6728</b>	1	TUBE-BYPASS						
	5	1	417-2768	1	HOUSING AS-REGULATOR						
	5A	1	<b>3S-9643</b>	1	SEAL-LIP TYPE (WATER TEMPERATURE REGULATOR)						
		1	<b>398-9550</b>	1	HOUSING-REGULATOR						
	6	1	<b>239-8135</b>	1	VALVE AS-VENT (TEMPERATURE REGULATOR) (WATER LINES)						
		1	<b>9X-7380</b>	1	SEAL-O-RING						
	7	1	<b>247-7133</b>	1	REGULATOR-WATER TEMPERATURE (98-DEG C) (COOLANT)						
M	8	1	<b>230-2603</b>	4	BOLT (M8X1.25X90-MM)						
	9	1	353-5140	2	PLUG AS						
					(EACH INCLUDES)						
	9A	1	<b>6V-5063</b>	1	SEAL-O-RING						
		1	<b>9S-8008</b>	1	PLUG (1-1/16-12-THD) (WATER REGULATOR HOUSING)						
	10	1	353-5126	3	PLUG AS						
					(EACH INCLUDES)						
	10A	1	<b>6V-6609</b>	1	SEAL-O-RING						
		1	<b>9S-8005</b>	1	PLUG (3/4-16-THD)						
	11	1	<b>9M-1974</b>	4	WASHER-HARD (8.8X16X2-MM THK)						
	12	1	304-8008	1	PLUG AS						
	12A	1	<b>6V-9027</b>	1	SEAL-O-RING						
		1	<b>9S-8002</b>	1	PLUG (7/16-20-THD)						
	13	1	<b>7L-6580</b>	2	SEAL-O-RING						
M	14	1	<b>8T-0292</b>	4	BOLT (M8X1.25X90-MM)						

M - METRIC PART

# COOLING SYSTEM

238-6725 LINES GP-WATER (contd.)

105509501



GRAPHIC #1

<END>

g03369920

# COOLING SYSTEM

## 238-8720 LINES GP-WATER-INLET ELBOW

S/N: PW31-UP

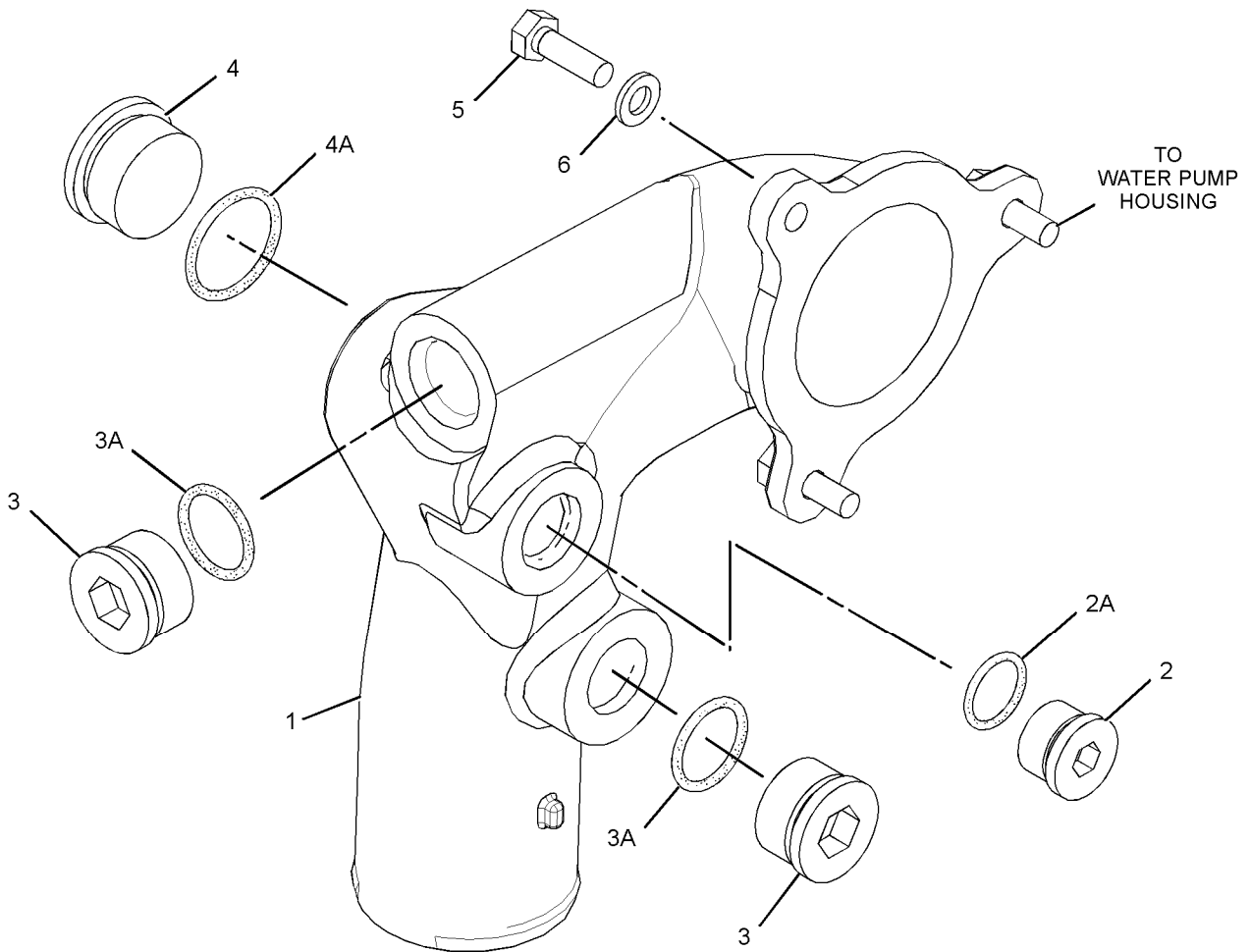
PART OF 434-3726 ENGINE AR-COMplete

SMCS-1355, 1380, 1393

i05922000

NOTE	REF NO	GRAPHIC REF	PART NUMBER	QTY	PART NAME						SEE PAGE
					1	2	3	4	5	6 (PRODUCT LEVEL)	
	1	1	<b>229-6231</b>	1	ELBOW-WATER PUMP						
	2	1	353-5125	1	PLUG AS						
	2A	1	<b>6V-3251</b>	1	SEAL-O-RING						
		1	<b>9S-8006</b>	1	PLUG (7/8-14-THD)						
	3	1	353-5140	2	PLUG AS						
					(EACH INCLUDES)						
	3A	1	<b>6V-5063</b>	1	SEAL-O-RING						
		1	<b>9S-8008</b>	1	PLUG (1-1/16-12-THD)						
	4	1	353-5144	1	PLUG AS						
	4A	1	<b>6V-5064</b>	1	SEAL-O-RING						
		1	<b>9S-9334</b>	1	PLUG (1-5/16-12-THD)						
M	5	1	<b>6V-3940</b>	3	BOLT (M8X1.25X25-MM)						
	6	1	<b>9M-1974</b>	3	WASHER-HARD (8.8X16X2-MM THK)						

M - METRIC PART



GRAPHIC #1

<END>

g02115393

# COOLING SYSTEM

## 224-7662 PLUG GP-ENGINE OIL COOLER

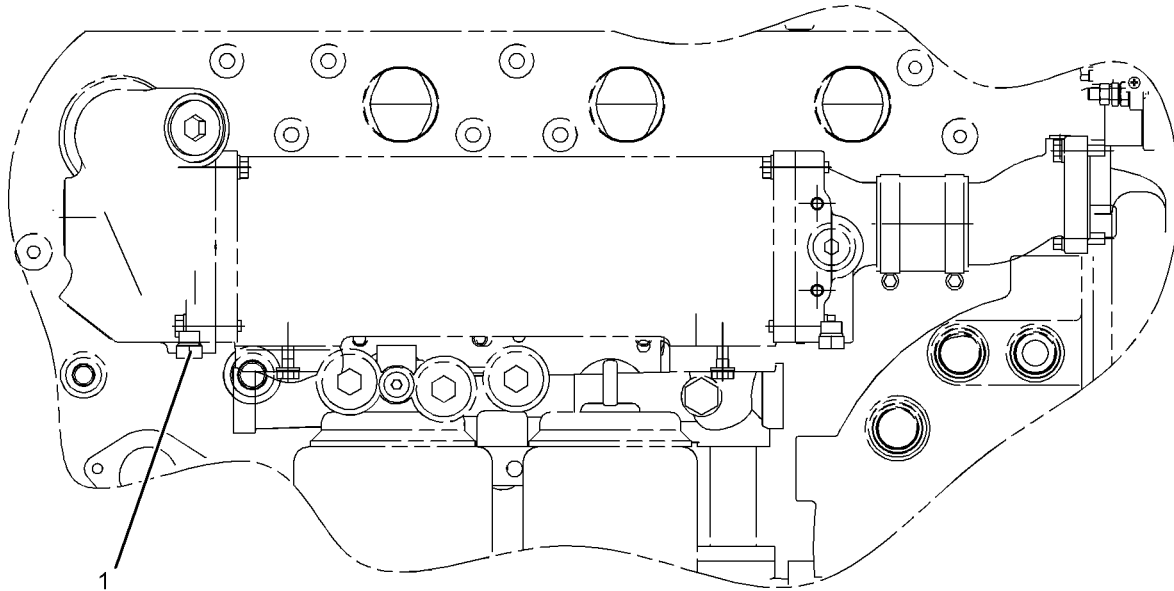
S/N: PW31-UP

**REQUIRED WHEN A COOLANT CONDITIONER IS NOT USED  
PART OF 434-3726 ENGINE AR-COMplete**

**SMCS-1378**

**i05922017**

NOTE	REF NO	GRAPHIC REF	PART NUMBER	QTY	PART NAME						SEE PAGE
					1	2	3	4	5	6 (PRODUCT LEVEL)	
	1	1	353-5124	2	PLUG AS						
(EACH INCLUDES)											
		1	6V-3250	1	SEAL-O-RING						
		1	9S-8004	1	PLUG (9/16-18-THD)						



GRAPHIC #1

<END>

g01030029

# COOLING SYSTEM

## 384-3026 PLUG GP-WATER LINES

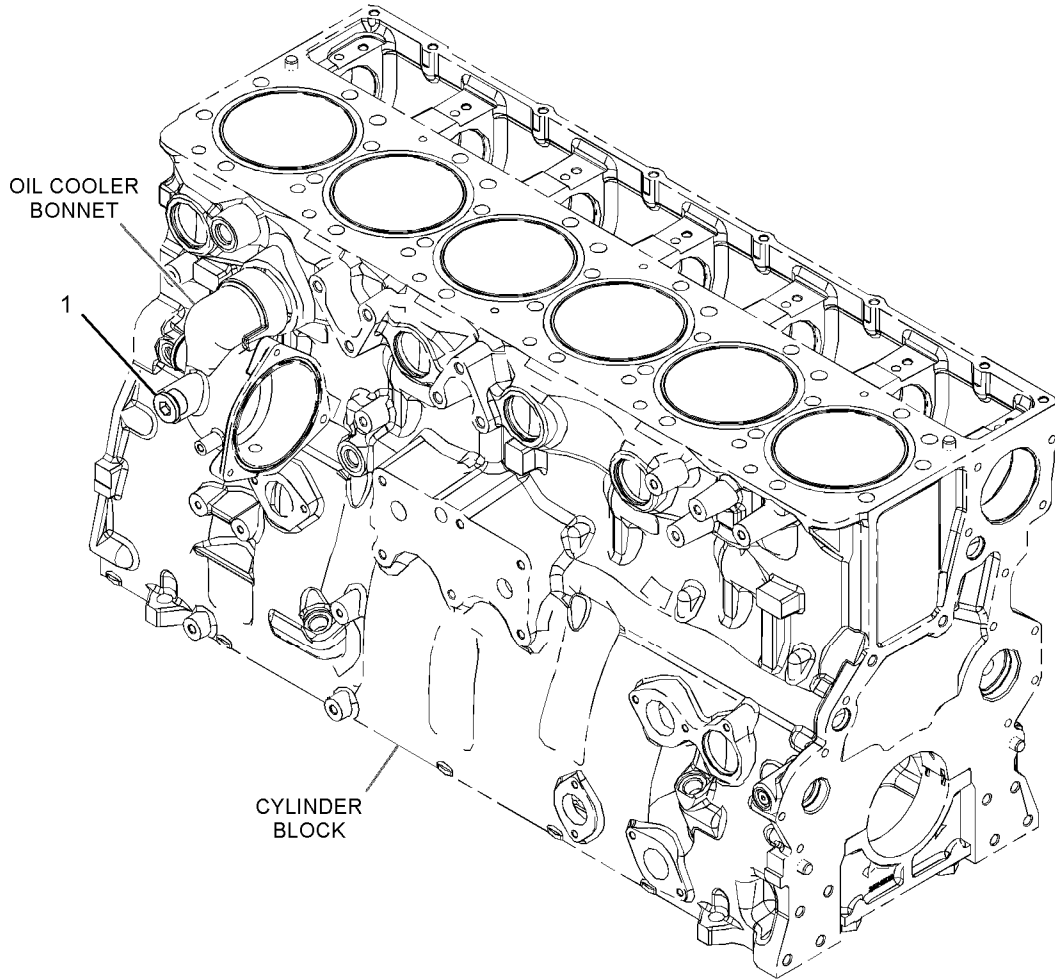
S/N: PW31-UP

PART OF 430-2533 COOLER GP-ENGINE OIL

SMCS-1380

i05863966

NOTE	REF NO	GRAPHIC REF	PART NUMBER	QTY	PART NAME						SEE PAGE
					1	2	3	4	5	6 (PRODUCT LEVEL)	
	1	1	353-5140	1	PLUG AS						
		1	6V-5063	1	SEAL-O-RING						
		1	9S-8008	1	PLUG (1-1/16-12-THD)						



GRAPHIC #1

<END>

g03090028



# COOLING SYSTEM

## 228-5812 PUMP GP-WATER

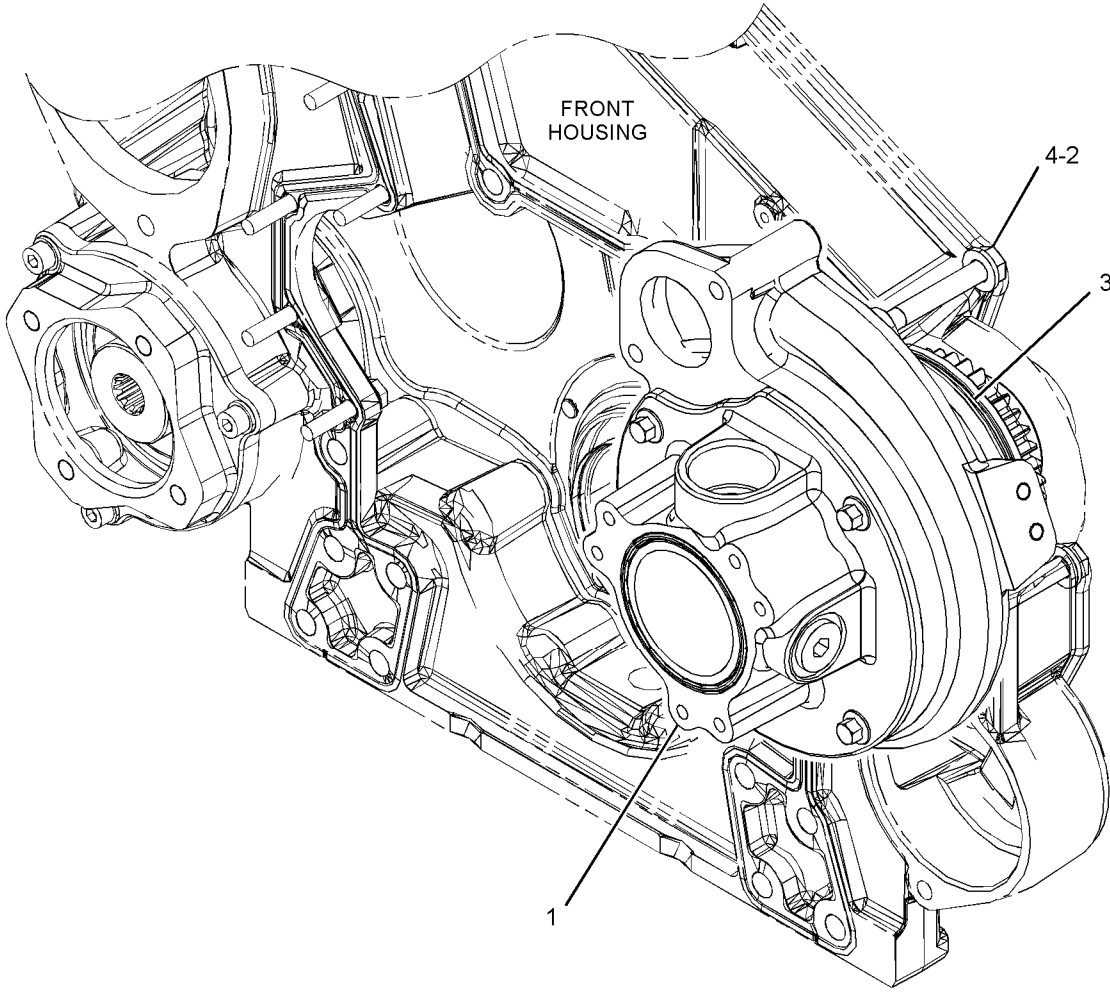
S/N: PW31-UP

SMCS-1361

i05555551

NOTE	REF NO	GRAPHIC REF	PART NUMBER	QTY	PART NAME						SEE PAGE
					1	2	3	4	5	6 (PRODUCT LEVEL)	
YR	1	1	<b>352-0206</b>	1	PUMP GP-WATER						86
	2	1	<b>6V-5839</b>	2	WASHER (11X21X2.5-MM THK)						
	3	1	<b>6V-7350</b>	1	SEAL-O-RING						
M	4	1	<b>8T-0643</b>	2	BOLT (M10X1.5X80-MM)						

M - METRIC PART  
R - REMANUFACTURED PART MAY BE AVAILABLE  
Y - SEPARATE ILLUSTRATION



GRAPHIC #1

<END>

g03523596

# COOLING SYSTEM

## 352-0205 PUMP GP-WATER\*R

S/N: PW31-UP

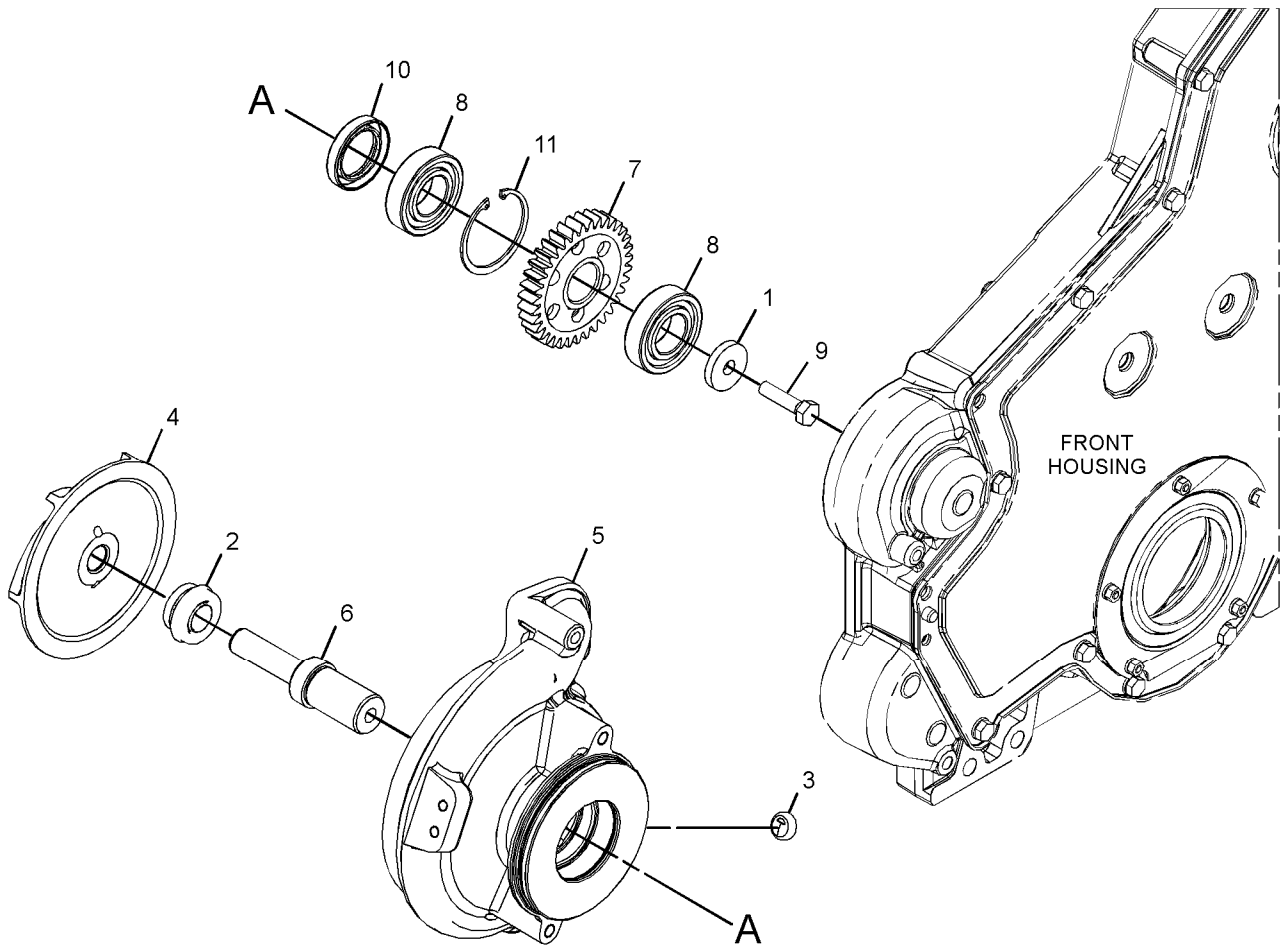
PART OF 352-0206 PUMP GP-WATER

SMCS-1361

i04474509

NOTE	REF NO	GRAPHIC REF	PART NUMBER	QTY	PART NAME						SEE PAGE
					1	2	3	4	5	6	
	1	1	<b>6V-9666</b>	1	WASHER-HARD (11X36X6-MM THK)						
	2	1	<b>349-2654</b>	1	SEAL-WATER PUMP						
	3	1	<b>203-3831</b>	1	PLUG-CUP						
	4	1	<b>223-9143</b>	1	IMPELLER						
	5	1	<b>223-9145</b>	1	HOUSING-PUMP						
	6	1	<b>291-6905</b>	1	SHAFT-WATER PUMP						
	7	1	<b>292-1200</b>	1	GEAR-WATER PUMP						
	8	1	<b>1B-3867</b>	2	BALL BEARING						
M	9	1	<b>6V-5842</b>	1	BOLT (M10X1.5X40-MM)						
	10	1	<b>8C-3100</b>	1	SEAL-LIP TYPE						
	11	1	<b>8T-9598</b>	1	RING-RETAINING						

M - METRIC PART



GRAPHIC #1

<END>

g02659396

# COOLING SYSTEM

## 352-0206 PUMP GP-WATER\*R

S/N: PW31-UP

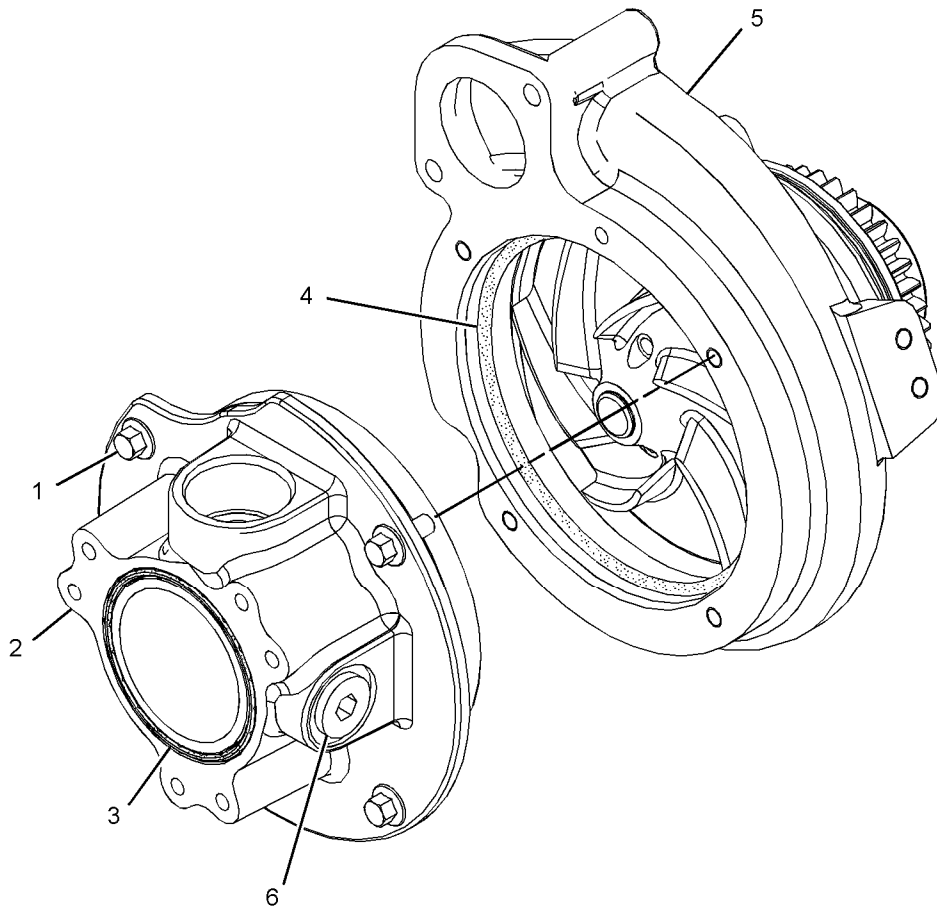
PART OF 228-5812 PUMP GP-WATER

SMCS-1361

i04473774

NOTE	REF NO	GRAPHIC REF	PART NUMBER	QTY	PART NAME						SEE PAGE
					1	2	3	4	5	6 (PRODUCT LEVEL)	
M	1	1	<b>208-9281</b>	4	BOLT-FLANGE HEAD (M8X1.25X20-MM)						
	2	1	<b>228-5810</b>	1	COVER						
	3	1	<b>229-8810</b>	1	SEAL						
	4	1	<b>225-7003</b>	1	SEAL-O-RING						
YR	5	1	352-0205	1	PUMP GP-WATER						85
	6	1	353-5125	1	PLUG AS						
		1	<b>6V-3251</b>	1	SEAL-O-RING						
		1	<b>9S-8006</b>	1	PLUG (7/8-14-THD)						

M - METRIC PART  
R - REMANUFACTURED PART MAY BE AVAILABLE  
Y - SEPARATE ILLUSTRATION



GRAPHIC #1

<END>

g02658542

# COOLING SYSTEM

## 463-2540 RADIATOR & AFTERCOOLER GP

S/N: S341-UP  
AN ATTACHMENT

SMCS-1063, 1353

i07423576

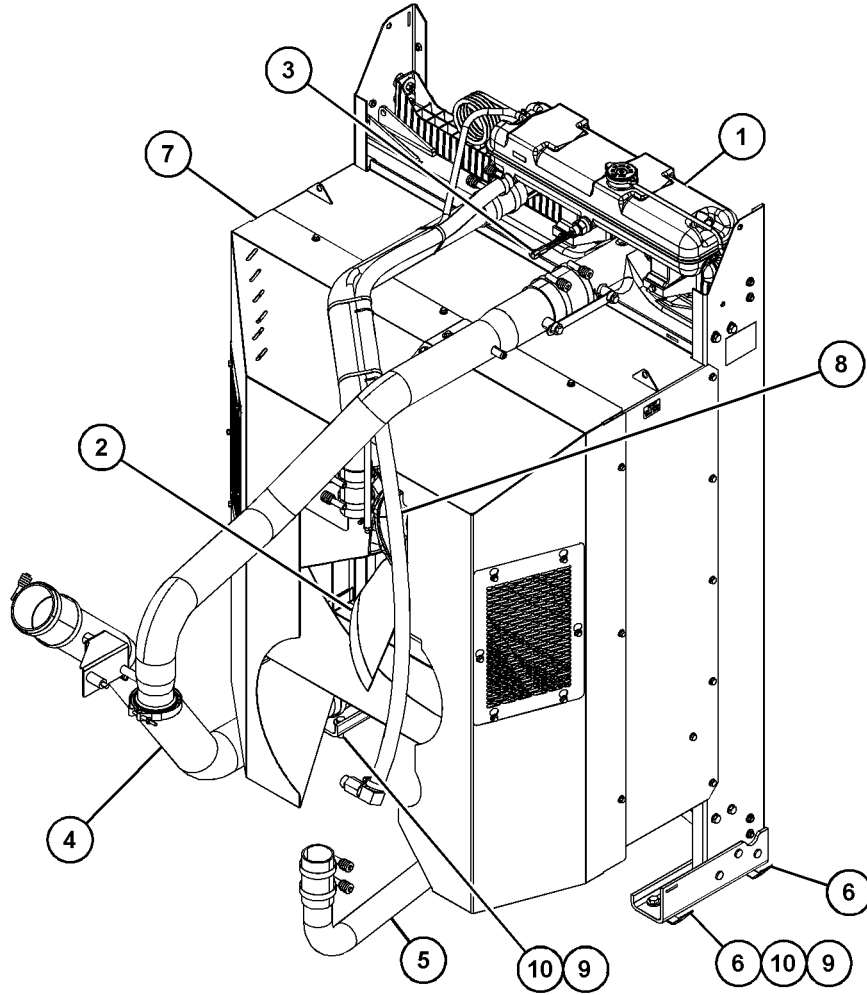
NOTE	REF NO	GRAPHIC REF	PART NUMBER	QTY	PART NAME						SEE PAGE
					1	2	3	4	5	6 (PRODUCT LEVEL)	
Y	1	1	<b>354-6434</b>	1	RADIATOR GP						89
	2	1	421-5276	1	FAN GP-BLOWER						
M		1	<b>8T-4195</b>	6	BOLT (M10X1.5X30-MM)						
		1	<b>331-9899</b>	1	FAN AS (9-BLADE)						
		1	<b>417-0485</b>	1	CLAMP						
Y	3	1	422-2054	1	SENSOR GP-COOLANT LEVEL						184
Y	4	1	463-2452	1	LINES GP-AIR						100
	5	1	463-2455	1	LINES GP-WATER						
		1	<b>8T-4984</b>	8	CLAMP-HOSE						
		1	<b>264-7111</b>	4	HOSE						
		1	<b>463-2456</b>	1	TUBE AS						
		1	<b>463-2457</b>	1	TUBE AS						
	6	1	<b>463-2470</b>	2	BRACKET AS						
					(EACH INCLUDES)						
M		1	<b>8T-3597</b>	1	NUT-WELD (M12X1.75-THD)						
Y	7	1	463-2541	1	GUARD GP-FAN						73
Y	8	1	463-2552	1	LINES GP-VENT						78
	9	1	<b>5P-1076</b>	4	WASHER-HARD (13.5X30X4-MM THK)						
M	10	1	<b>8T-4183</b>	4	BOLT (M12X1.75X40-MM)						

M - METRIC PART  
Y - SEPARATE ILLUSTRATION

# COOLING SYSTEM

463-2540 RADIATOR & AFTERCOOLER GP (contd.)

107423576



GRAPHIC #1

<END>

g06094772

# COOLING SYSTEM

## 354-6434 RADIATOR GP

S/N: S341-UP

BASIC

PART OF 463-2540 RADIATOR & AFTERCOOLER GP  
AN ATTACHMENT

**SMCS-1353**

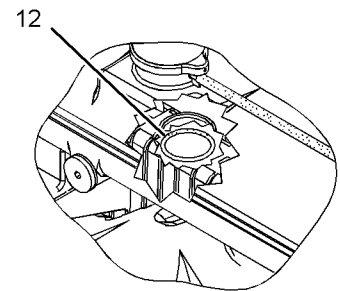
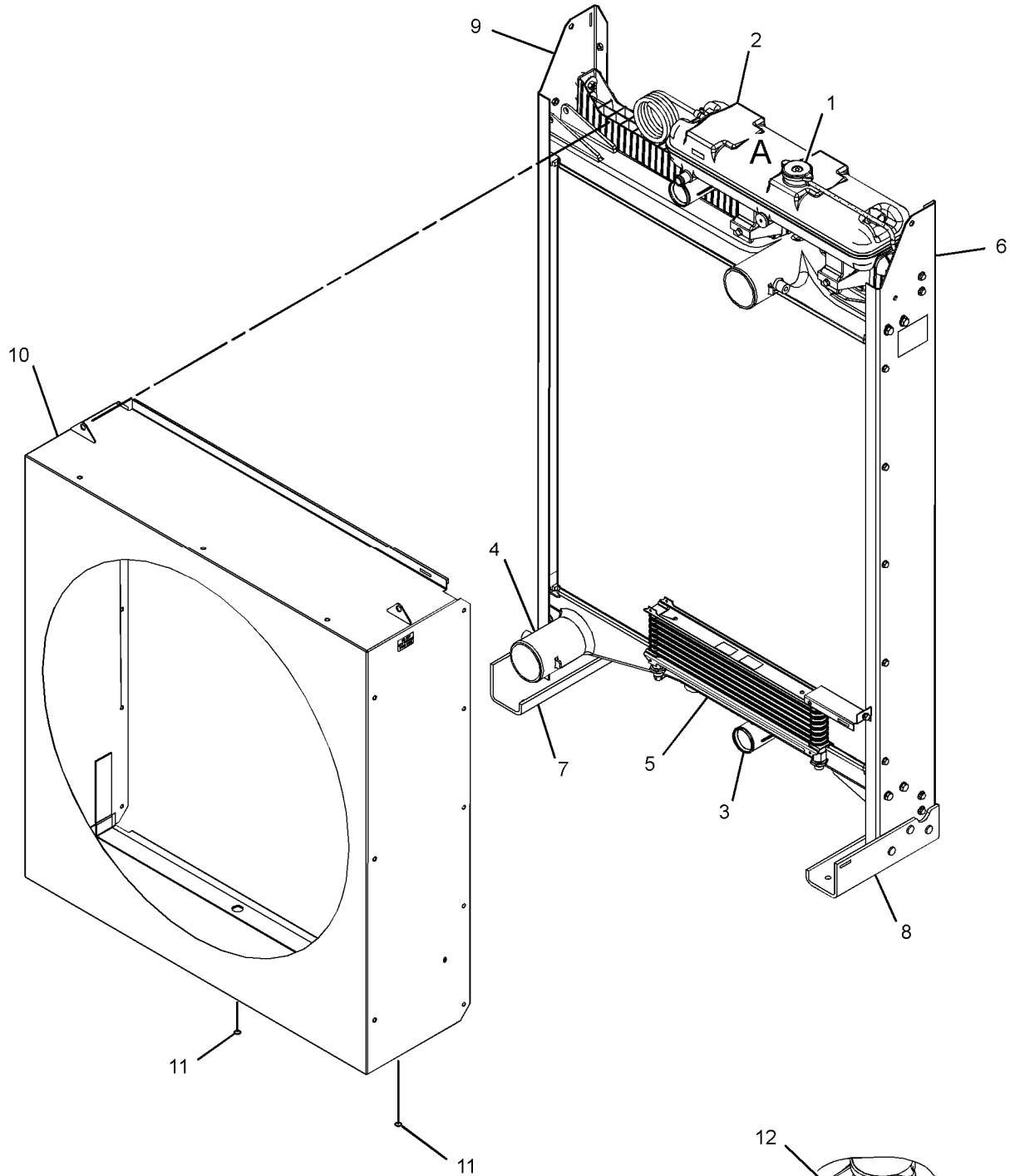
**i07772804**

NOTE	REF NO	GRAPHIC REF	PART NUMBER	QTY	PART NAME						SEE PAGE
					1	2	3	4	5	6 (PRODUCT LEVEL)	
	1	1	<b>391-6399</b>	1	CAP AS-RADIATOR						
	2	1	<b>461-6246</b>	1	TANK AS-WATER						
	3	1	<b>391-6405</b>	1	RADIATOR AS						
	4	1	<b>391-6408</b>	1	AFTERCOOLER						
	5	1	<b>391-6411</b>	1	COOLER-FUEL						
	6	1	<b>391-6412</b>	1	SUPPORT						
	7	1	<b>391-6413</b>	1	BRACKET						
	8	1	<b>391-6414</b>	1	BRACKET						
	9	1	<b>391-6415</b>	1	SUPPORT						
	10	1	<b>391-6416</b>	1	SHROUD AS						
	11	1	<b>228-7090</b>	2	SEAL-O-RING						
	12	1	<b>4J-5573</b>	1	SEAL-O-RING						

# COOLING SYSTEM

354-6434 RADIATOR GP (contd.)

107772804



GRAPHIC #1

<END>

g02874817

# AIR INLET AND EXHAUST SYSTEM

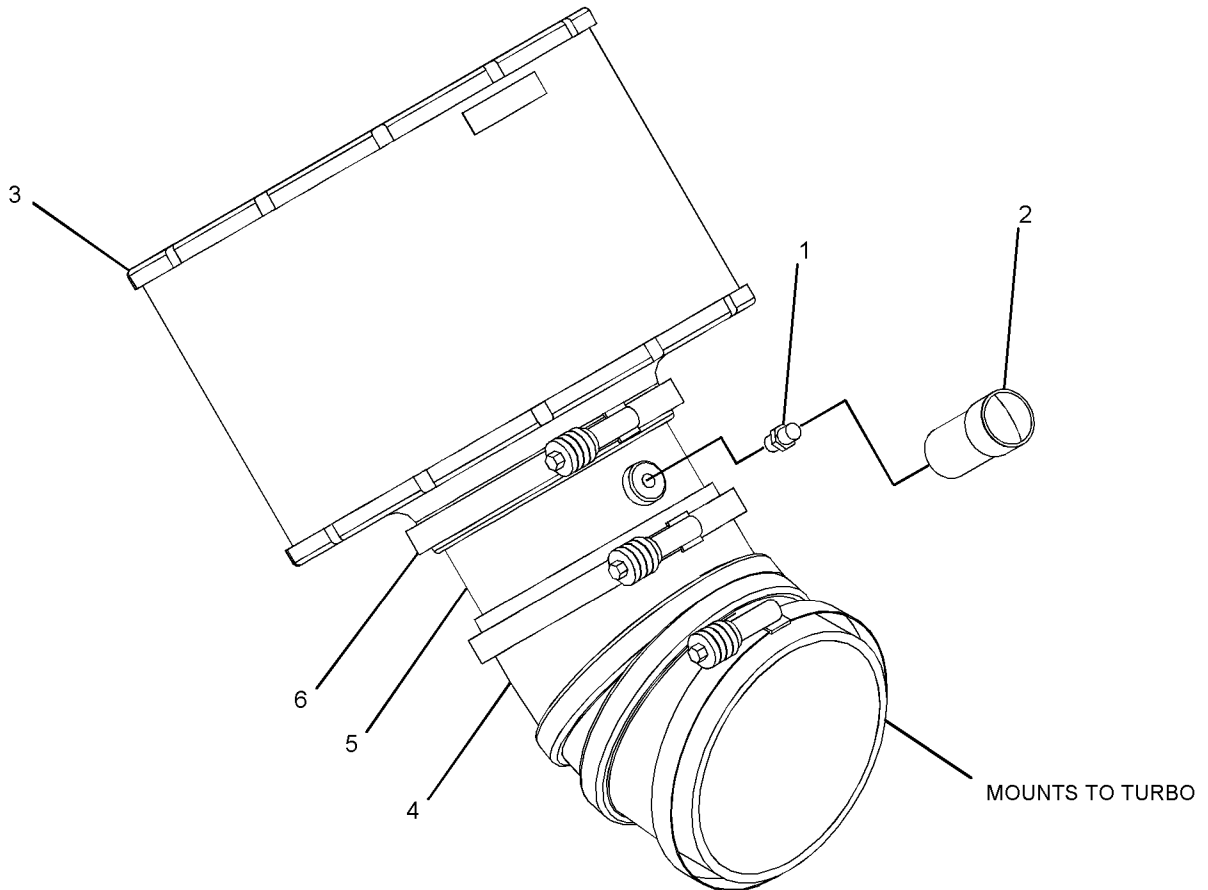
## 371-1790 AIR CLEANER GP

S/N: S341-UP  
15-LITERS. NON-CANISTER  
AN ATTACHMENT

SMCS-1051, 1054

i07140293

NOTE	REF NO	GRAPHIC REF	PART NUMBER	QTY	PART NAME						SEE PAGE
					1	2	3	4	5	6 (PRODUCT LEVEL)	
	1	1	<b>5L-3233</b>	1	FITTING-CONNECTOR						
	2	1	<b>6I-2933</b>	1	INDICATOR-AIR FILTER SERVICE						
	3	1	<b>7C-1571</b>	1	FILTER ELEMENT AS-AIR (PRIMARY)						
	4	1	<b>9Y-6102</b>	1	ELBOW						
	5	1	<b>371-1787</b>	1	TUBE AS						
	6	1	<b>8T-4988</b>	3	CLAMP-HOSE						



GRAPHIC #1

<END>

g02872664



# AIR INLET AND EXHAUST SYSTEM

## 262-4034 CARTRIDGE GP-TURBOCHARGER\*R

S/N: PW31-UP

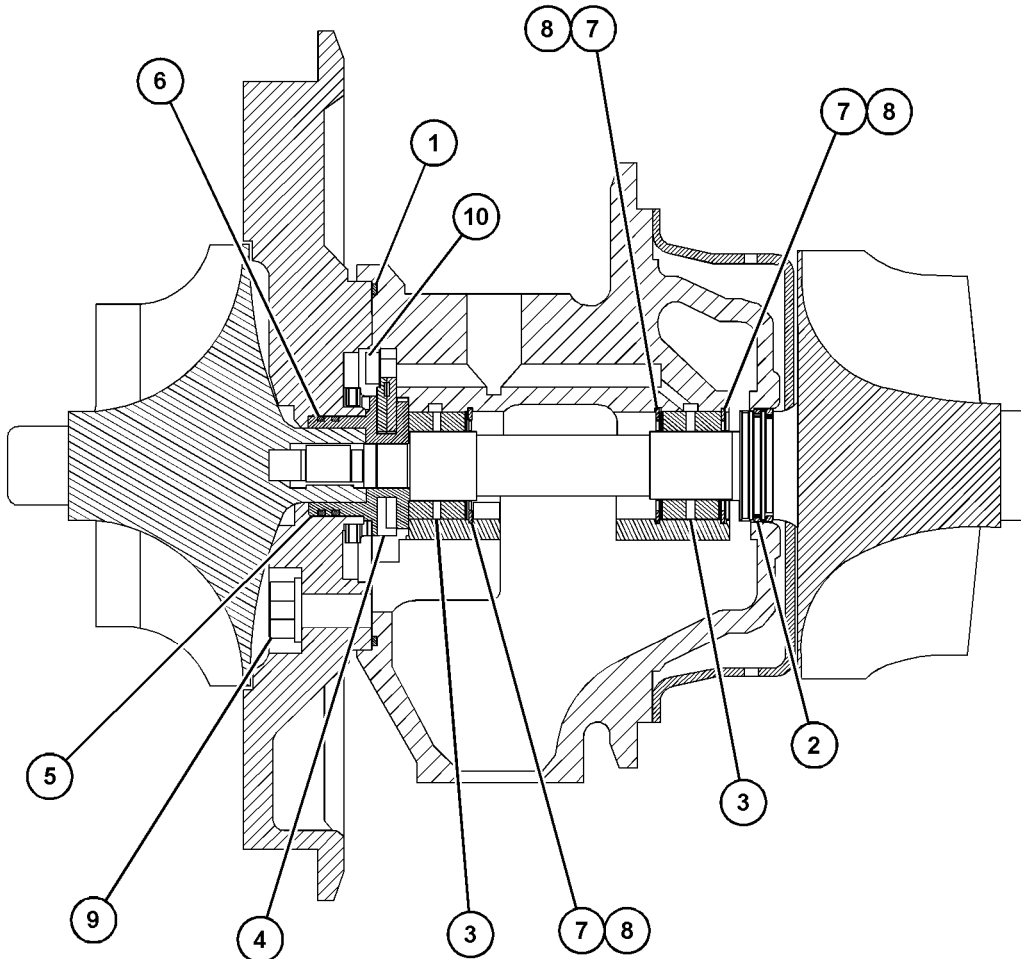
PART OF 291-2127 TURBOCHARGER GP

SMCS-1053

i07918378

NOTE	REF NO	GRAPHIC REF	PART NUMBER	QTY	PART NAME						SEE PAGE
					1	2	3	4	5	6 (PRODUCT LEVEL)	
	1	1	<b>206-8868</b>	1	SEAL-RING						
	2	1	<b>211-2264</b>	1	RING-PISTON						
	3	1	<b>496-5224</b>	2	BEARING-JOURNAL (STANDARD)						
AB		1	<b>496-5225</b>		BEARING-JOURNAL (0.25-MM US)						
AB		1	<b>496-5226</b>		BEARING-JOURNAL (0.25-MM OS)						
AB		1	<b>496-5227</b>		BEARING-JOURNAL (0.25-MM OS, 0.25-MM US)						
AB		1	<b>496-5228</b>		BEARING-JOURNAL (0.51-MM OS)						
AB		1	<b>496-5229</b>		BEARING-JOURNAL (0.25-MM US, 0.51-MM OS)						
	4	1	<b>211-2261</b>	1	BEARING-THRUST						
	5	1	<b>211-2260</b>	1	COLLAR-THRUST						
	6	1	<b>211-2259</b>	2	RING-PISTON						
	7	1	<b>461-3792</b>	3	WASHER (WEAR)						
	8	1	<b>461-3728</b>	3	RING-RETAINING						
M	9	1	<b>156-6964</b>	4	BOLT (M8X1.25X30-MM)						
M	10	1	<b>4P-3818</b>	3	BOLT (M4X0.7X10-MM)						

A - NOT PART OF THIS GROUP  
 B - USE AS REQUIRED  
 M - METRIC PART



GRAPHIC #1

<END>

g06478998

# AIR INLET AND EXHAUST SYSTEM

## 383-8084 ELBOW GP-EXHAUST

S/N: S341-UP

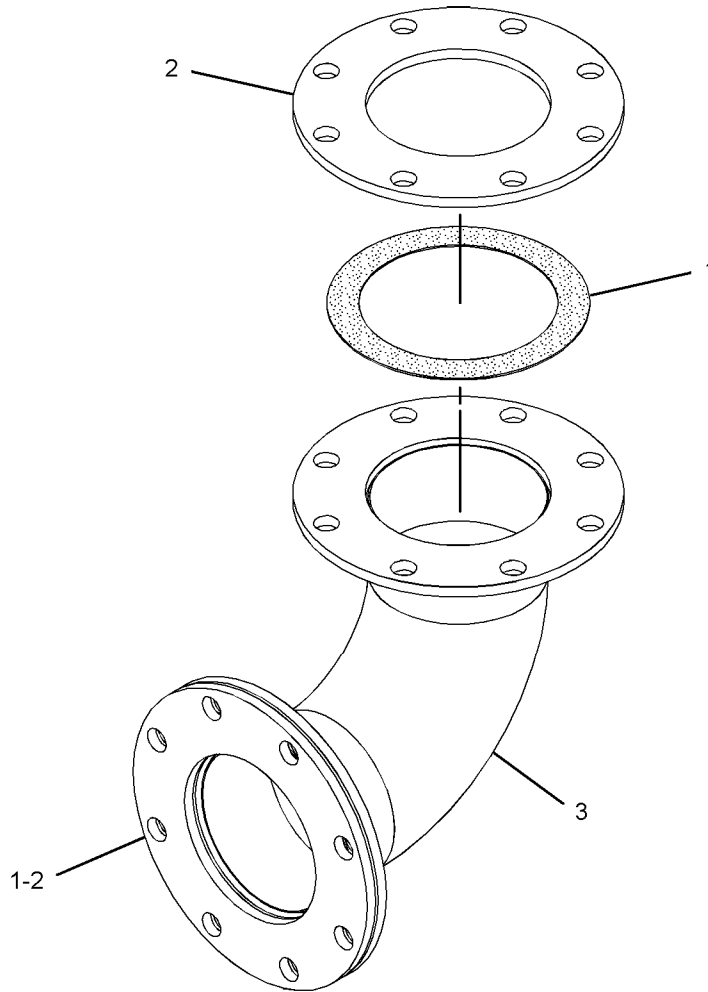
8-IN

AN ATTACHMENT

SMCS-1061

i07140308

NOTE	REF NO	GRAPHIC REF	PART NUMBER	QTY	PART NAME						SEE PAGE
					1	2	3	4	5	6 (PRODUCT LEVEL)	
	1	1	<b>113-9848</b>	2	GASKET						
	2	1	<b>145-4933</b>	2	FLANGE						
	3	1	<b>145-4936</b>	1	ELBOW AS-EXHAUST						
		1	<b>145-4933</b>	2	FLANGE						



GRAPHIC #1

<END>

g02968297

# AIR INLET AND EXHAUST SYSTEM

## 425-0310 ELBOW GP-EXHAUST

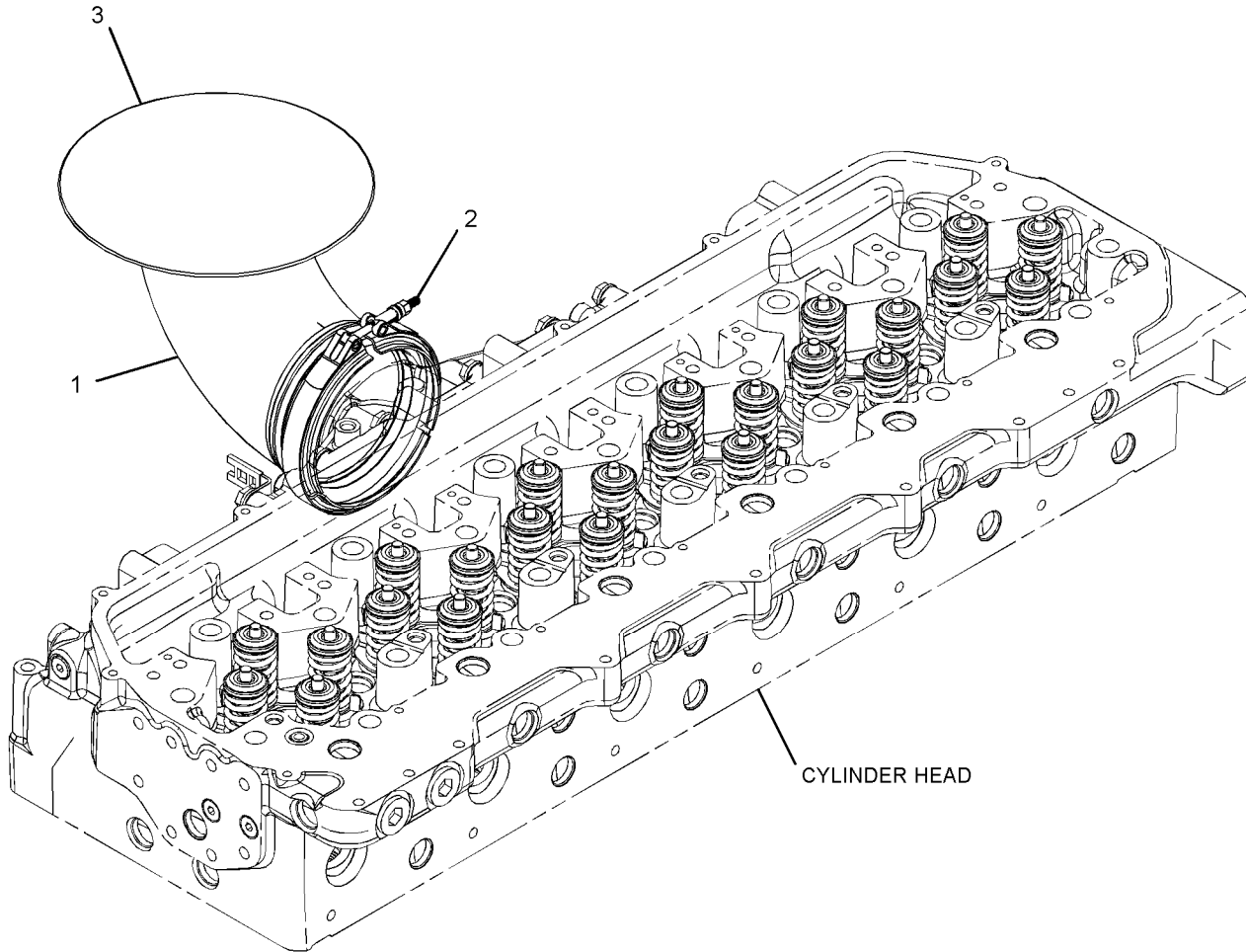
S/N: PW31-UP

PART OF 434-3726 ENGINE AR-COMplete

SMCS-1061

i05269914

NOTE	REF NO	GRAPHIC REF	PART NUMBER	QTY	PART NAME						SEE PAGE	
					1	2	3	4	5	6 (PRODUCT LEVEL)		
	1	1	<b>416-9603</b>	1	ELBOW							
	2	1	<b>416-9746</b>	1	CLAMP							
	3	1	<b>417-4089</b>	1	CAP							



GRAPHIC #1

<END>

g03403059

# AIR INLET AND EXHAUST SYSTEM

## 383-8080 FITTING GP-EXHAUST

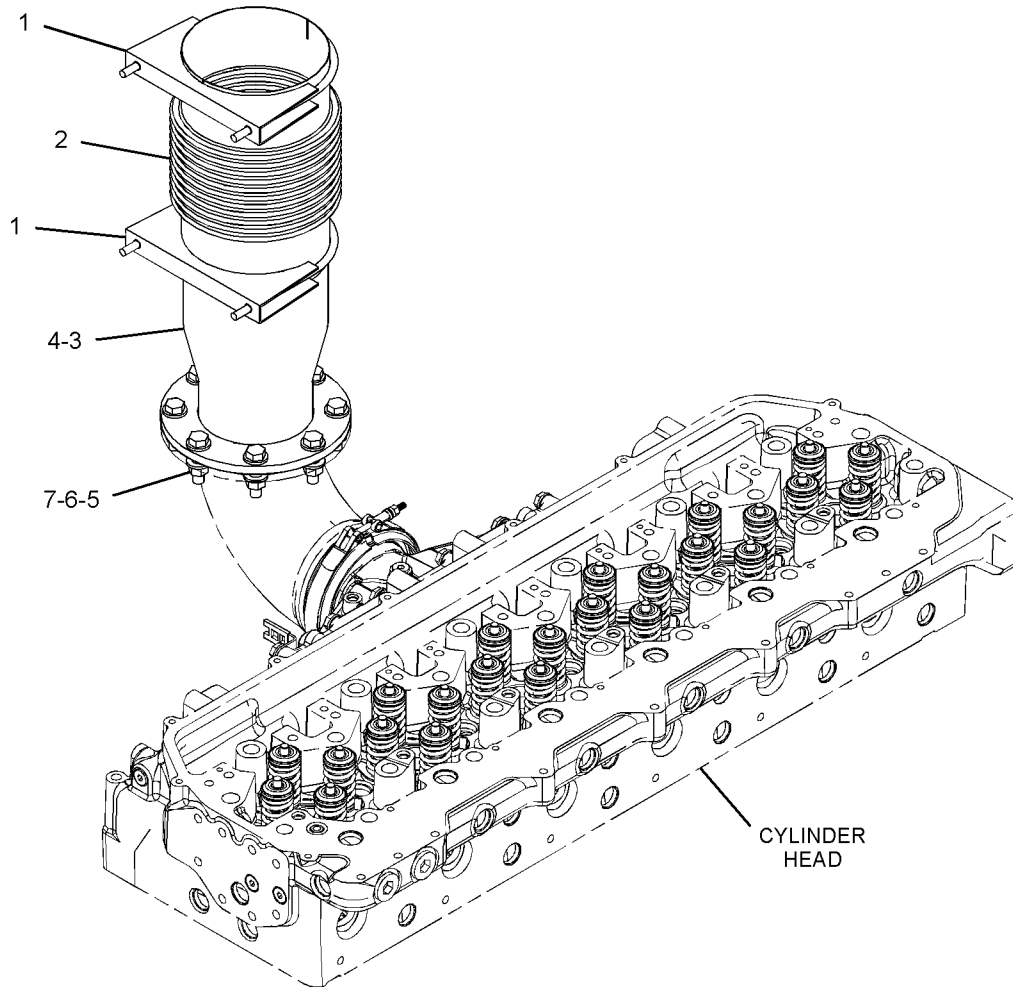
S/N: S341-UP  
AN ATTACHMENT

SMCS-1061

i07140307

NOTE	REF NO	GRAPHIC REF	PART NUMBER	QTY	PART NAME						SEE PAGE
					1	2	3	4	5	6 (PRODUCT LEVEL)	
	1	1	<b>220-5619</b>	2	CLAMP-EXHAUST						
	2	1	<b>227-3019</b>	1	PIPE-FLEXIBLE						
	3	1	<b>383-8077</b>	1	ADAPTER AS						
		1	<b>3B-6488</b>	1	COUPLING-PIPE						
		1	<b>7F-9504</b>	1	PLUG-PIPE (1/4-18-THD)						
	4	1	<b>386-9290</b>	1	GASKET						
M	5	1	<b>8T-4194</b>	8	BOLT (M12X1.75X50-MM)						
	6	1	<b>8T-4223</b>	16	WASHER-HARD (13.5X25.5X3-MM THK)						
M	7	1	<b>8T-4244</b>	8	NUT (M12X1.75-THD)						

M - METRIC PART



GRAPHIC #1

<END>

g03400226

# AIR INLET AND EXHAUST SYSTEM

## 392-0733 FITTING GP-EXHAUST

S/N: S341-UP

8-INCH

FOR USE WITH EXHAUST OPTION 15 AND 18-LITERS  
AN ATTACHMENT

SMCS-1061

i07140316

NOTE	PART NUMBER	QTY	PART NAME						SEE PAGE
			1	2	3	4	5	6 (PRODUCT LEVEL)	
	<b>6N-7611</b>	1	CAP AS-RAIN (EXHAUST)						
	<b>145-4933</b>	2	FLANGE						
	<b>113-9848</b>	2	GASKET						

<END>

# AIR INLET AND EXHAUST SYSTEM

## 366-0073 FLANGE GP-EXHAUST

S/N: S341-UP

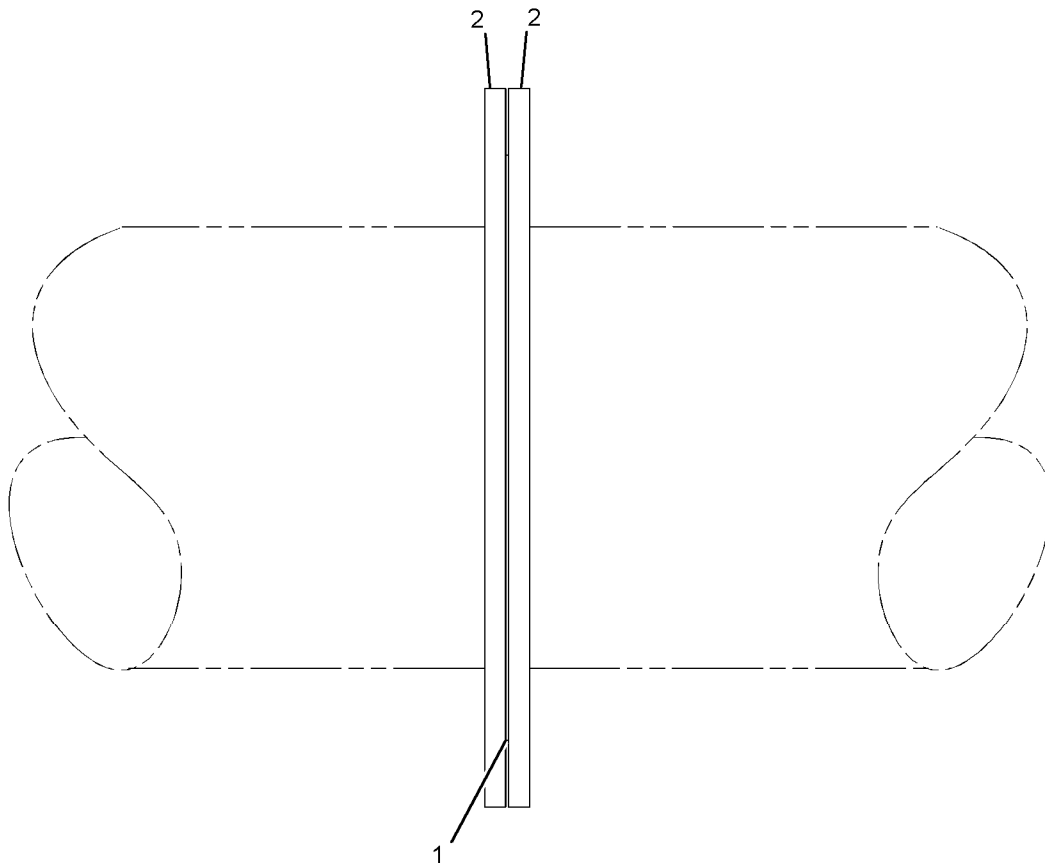
8-IN

AN ATTACHMENT

SMCS-1061

i07140290

NOTE	REF NO	GRAPHIC REF	PART NUMBER	QTY	PART NAME						SEE PAGE
					1	2	3	4	5	6 (PRODUCT LEVEL)	
	1	1	<b>113-9848</b>	1	GASKET						
	2	1	<b>145-4933</b>	2	FLANGE						



GRAPHIC #1

<END>

g02992416

# AIR INLET AND EXHAUST SYSTEM

## 512-6469 GUARD GP-TURBOCHARGER

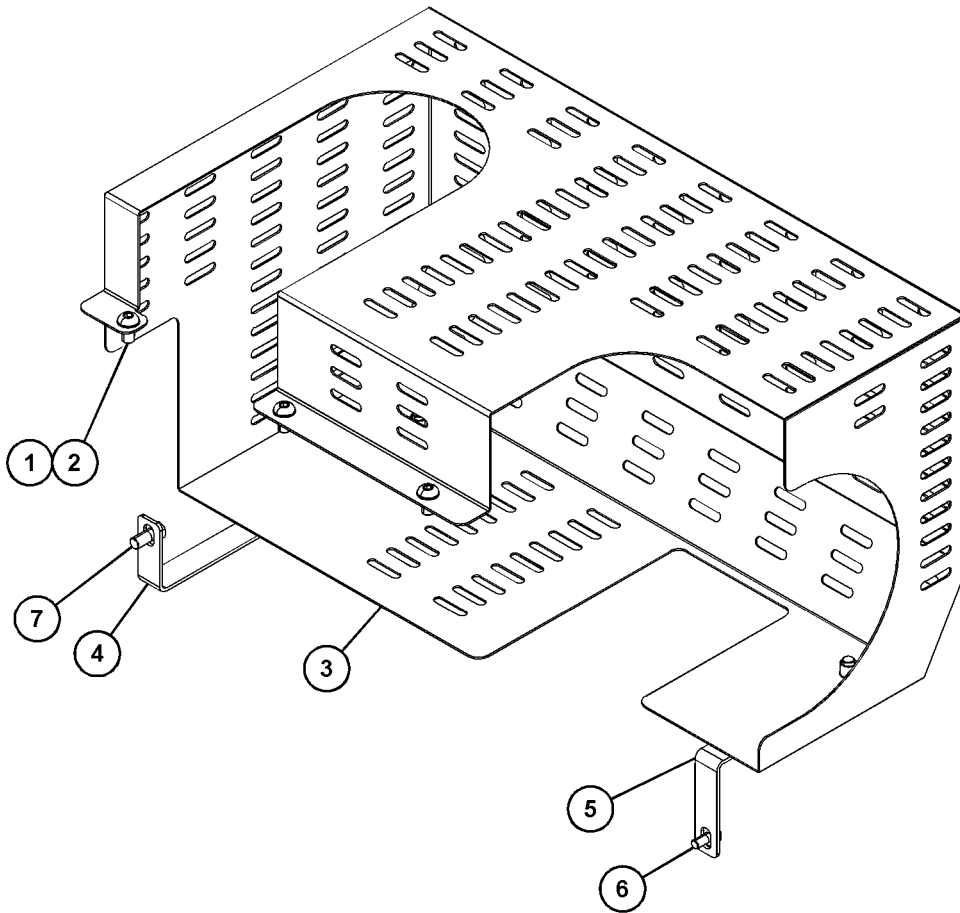
S/N: S341-UP  
AN ATTACHMENT

SMCS-1052, 7150

i07867913

NOTE	REF NO	GRAPHIC REF	PART NUMBER	QTY	PART NAME						SEE PAGE
					1	2	3	4	5	6	
	1	1	<b>142-4899</b>	3	LOCKWASHER						
M	2	1	<b>142-4901</b>	3	SCREW (M10X1.5X20-MM)						
	3	1	<b>516-8161</b>	1	GUARD AS						
M		1	<b>238-0029</b>	2	INSERT-THREADED (M10X1.5-THD)						
	4	1	<b>516-8163</b>	1	BRACKET						
	5	1	<b>516-8167</b>	1	BRACKET						
M	6	1	<b>174-9194</b>	1	BOLT (M8X1.25X16-MM)						
M	7	1	<b>342-9913</b>	3	BOLT-FLANGE HEAD (M10X1.5X20-MM)						

M - METRIC PART



GRAPHIC #1

<END>

g06337555

# AIR INLET AND EXHAUST SYSTEM

## 241-4761 LINES GP-AIR-INTAKE

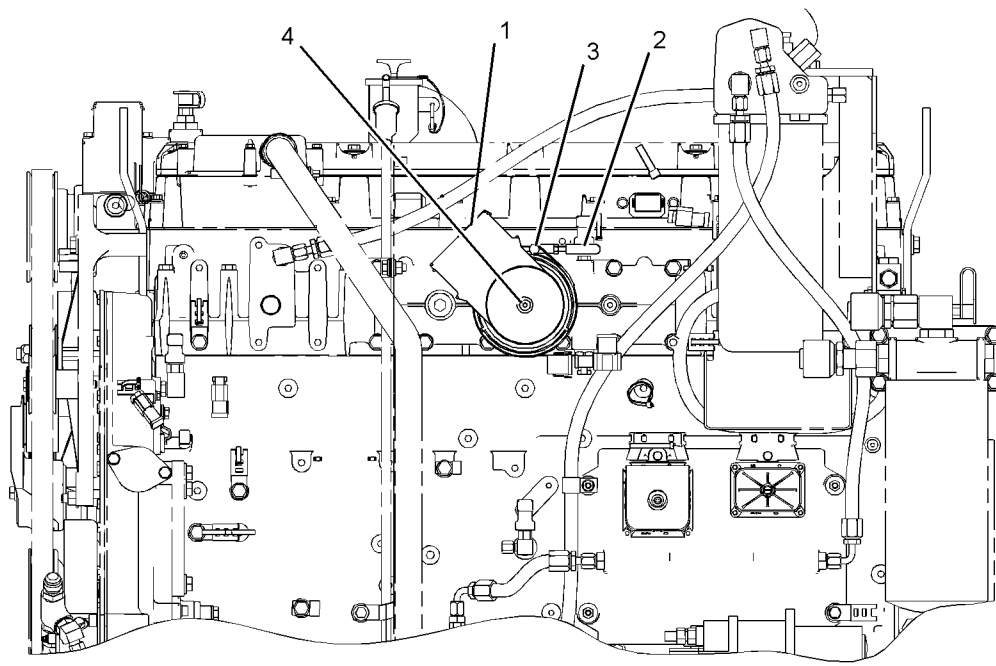
S/N: PW31-UP

PART OF 434-3726 ENGINE AR-COMplete

SMCS-1071

i05756376

NOTE	REF NO	GRAPHIC REF	PART NUMBER	QTY	PART NAME						SEE PAGE
					1	2	3	4	5	6 (PRODUCT LEVEL)	
	1	1	<b>203-0351</b>	1	ELBOW-AIR						
	2	1	<b>248-4840</b>	1	CAP-PROTECTIVE						
	3	1	<b>248-4841</b>	1	CLAMP-BAND						
	4	1	<b>307-2671</b>	1	PLUG AS						
		1	<b>9S-8002</b>	1	PLUG (7/16-20-THD)						
		1	<b>214-7566</b>	1	SEAL-O-RING						



LEFT SIDE VIEW

GRAPHIC #1

<END>

g02797555



# AIR INLET AND EXHAUST SYSTEM

## 463-2452 LINES GP-AIR

S/N: S341-UP

PART OF 463-2540 RADIATOR & AFTERCOOLER GP  
AN ATTACHMENT

SMCS-1071

i07682937

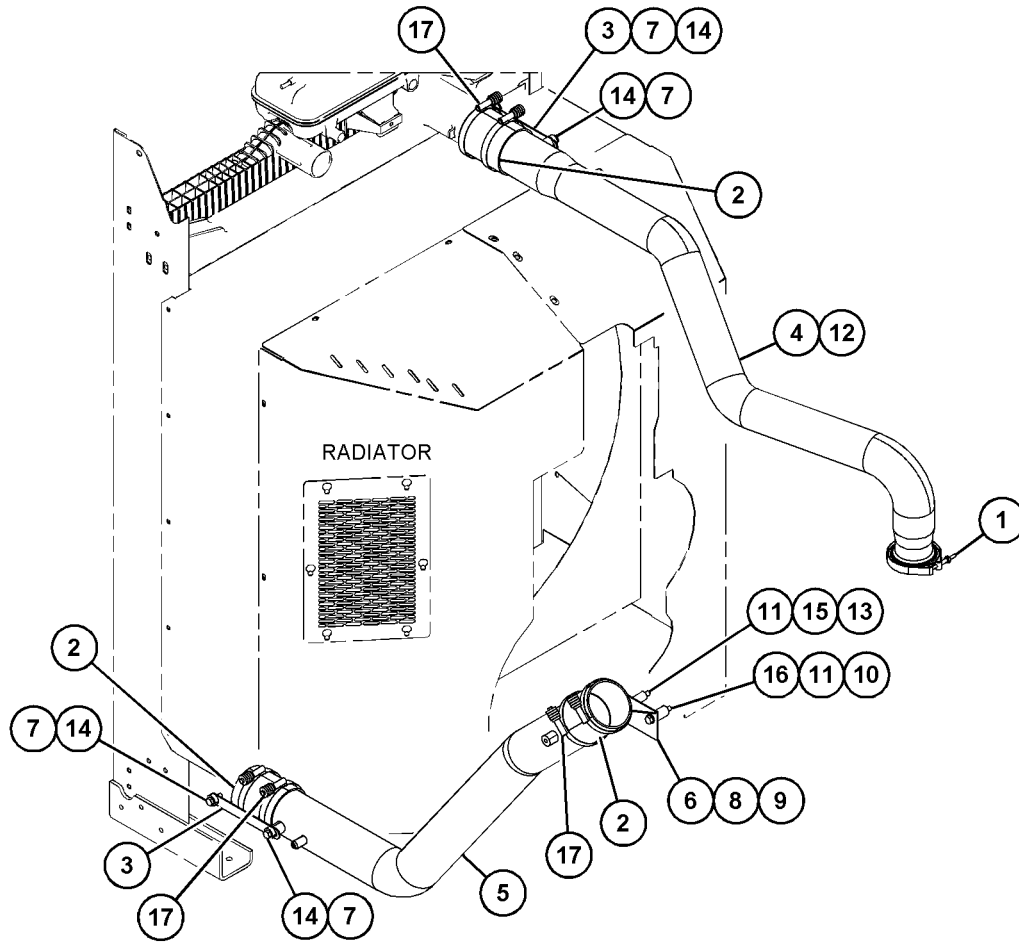
NOTE	REF NO	GRAPHIC REF	PART NUMBER	QTY	PART NAME						SEE PAGE
					1	2	3	4	5	6 (PRODUCT LEVEL)	
	1	1	<b>127-0929</b>	1	CLAMP-V BAND						
	2	1	<b>306-5412</b>	3	HOSE						
	3	1	<b>354-6454</b>	2	STRAP						
	4	1	<b>463-2453</b>	1	TUBE AS						
	5	1	<b>463-2454</b>	1	TUBE AS						
	6	1	<b>463-2478</b>	1	BRACKET						
	7	1	<b>198-4777</b>	4	WASHER-HARD (11X25X10-MM THK)						
M	8	1	<b>342-9913</b>	1	BOLT-FLANGE HEAD (M10X1.5X20-MM)						
	9	1	<b>6D-4636</b>	1	CLIP (LOOP)						
	10	1	<b>6N-0508</b>	1	SPACER (11.13X22.23X40.64-MM THK)						
	11	1	<b>6V-5839</b>	2	WASHER (11X21X2.5-MM THK)						
	12	1	<b>8C-3089</b>	1	SEAL-O-RING						
	13	1	<b>8P-0056</b>	1	SLEEVE						
M	14	1	<b>8T-4195</b>	4	BOLT (M10X1.5X30-MM)						
M	15	1	<b>8T-4198</b>	1	BOLT (M10X1.5X100-MM)						
M	16	1	<b>8T-6466</b>	1	BOLT (M10X1.5X60-MM)						
	17	1	<b>9X-2201</b>	6	CLAMP-HOSE						

M - METRIC PART

# AIR INLET AND EXHAUST SYSTEM

463-2452 LINES GP-AIR (contd.)

107682937



GRAPHIC #1

<END>

g06396439

# AIR INLET AND EXHAUST SYSTEM

## 230-6355 MANIFOLD GP-EXHAUST

S/N: PW31-UP

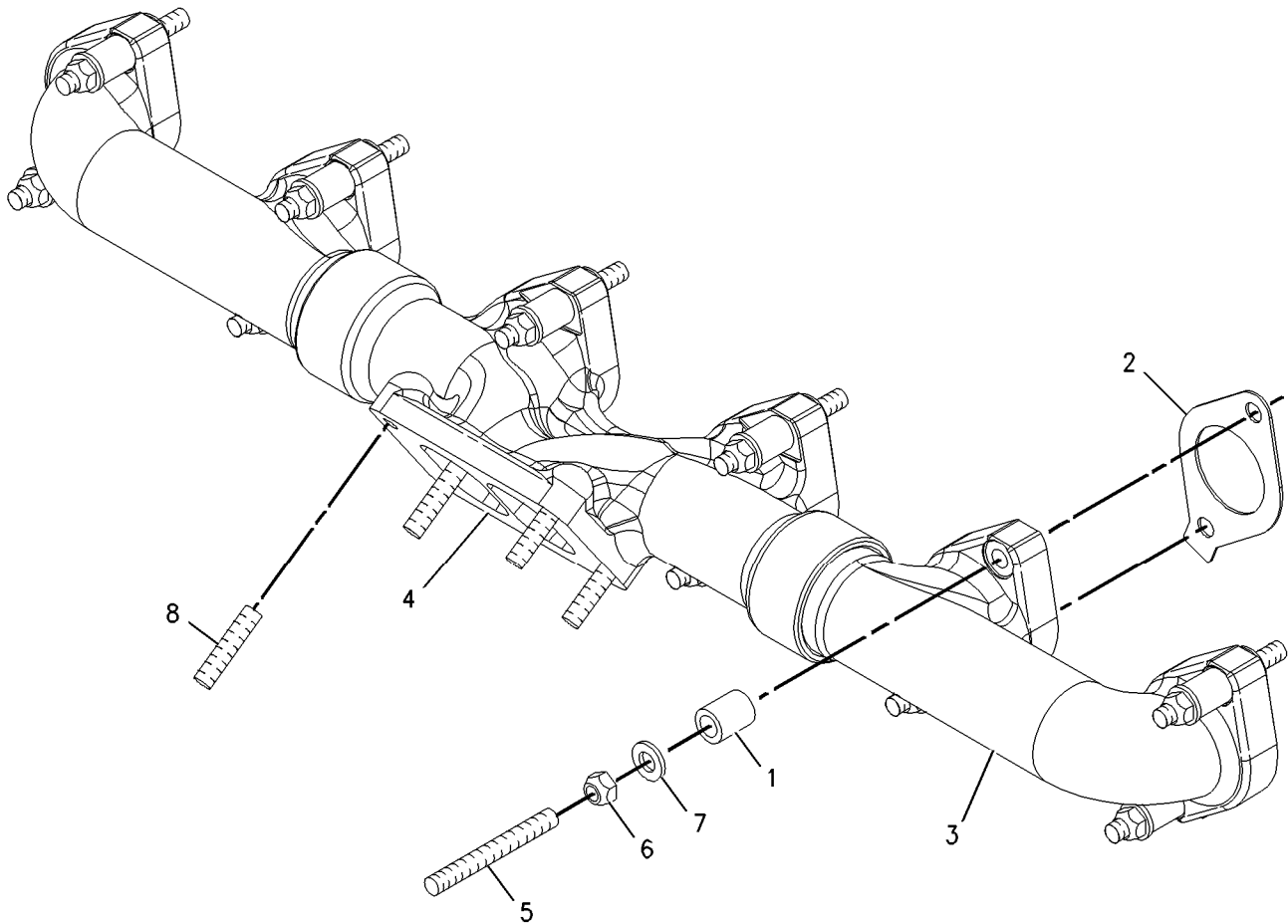
PART OF 434-3726 ENGINE AR-COMplete

SMCS-1059

i07836979

NOTE	REF NO	GRAPHIC REF	PART NUMBER	QTY	PART NAME						SEE PAGE
					1	2	3	4	5	6	
	1	1	<b>4P-4369</b>	12	SPACER (12X19X23.5-MM THK)						
	2	1	<b>283-2238</b>	6	GASKET						
	3	1	<b>231-9030</b>	2	MANIFOLD-EXHAUST (END)						
	4	1	<b>229-3567</b>	1	MANIFOLD-EXHAUST (CENTER)						
M	5	1	<b>116-3715</b>	12	STUD-TAPERLOCK (M10X1.5X85-MM)						
M	6	1	<b>9X-6620</b>	12	LOCKNUT (M10X1.5-THD)						
	7	1	<b>6V-5839</b>	12	WASHER (11X21X2.5-MM THK)						
M	8	1	<b>9X-8281</b>	4	STUD-TAPERLOCK (M10X1.5X45-MM)						

M - METRIC PART



GRAPHIC #1

<END>

g00950200

# AIR INLET AND EXHAUST SYSTEM

## 222-3092 MANIFOLD GP-INLET

S/N: PW31-UP

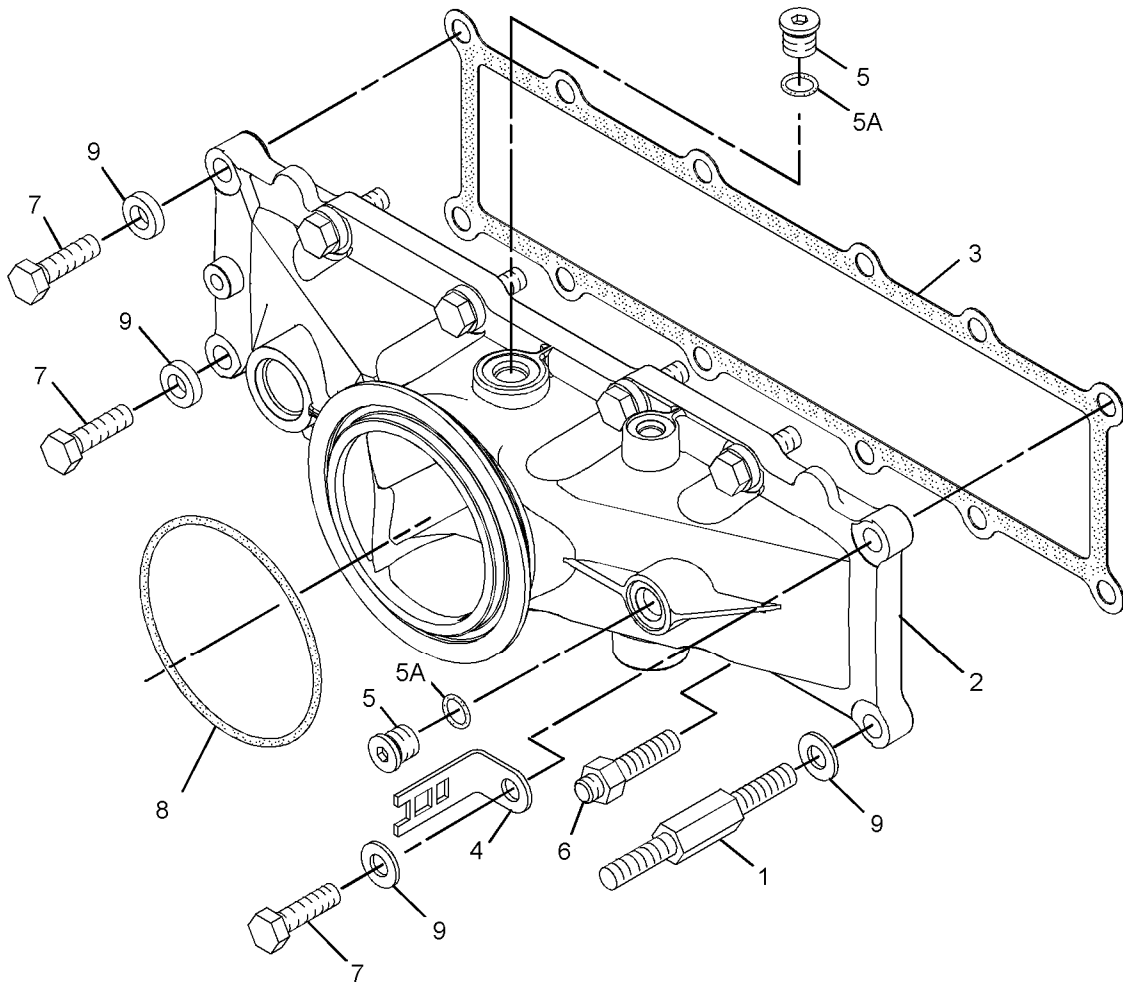
PART OF 434-3726 ENGINE AR-COMplete

SMCS-1058

i05922021

NOTE	REF NO	GRAPHIC REF	PART NUMBER	QTY	PART NAME						SEE PAGE
					1	2	3	4	5	6	
M	1	1	<b>121-5908</b>	1	STUD (M10X1.5X105-MM)						
	2	1	<b>375-8478</b>	1	MANIFOLD-INLET						
	3	1	<b>230-3518</b>	1	GASKET-MANIFOLD						
	4	1	<b>132-5789</b>	1	CLIP (LADDER)						
	5	1	<b>183-3407</b>	2	PLUG AS						
					(EACH INCLUDES)						
	5A	1	<b>214-7568</b>	1	SEAL-O-RING						
		1	<b>9S-8004</b>	1	PLUG (9/16-18-THD)						
M	6	1	<b>176-9237</b>	1	BOLT-SPECIAL (M10X1.5-THD)						
M	7	1	<b>6V-3822</b>	10	BOLT (M10X1.5X35-MM)						
	8	1	<b>6V-6353</b>	1	SEAL-O-RING						
	9	1	<b>6V-5839</b>	12	WASHER (11X21X2.5-MM THK)						

M - METRIC PART



GRAPHIC #1

<END>

g02176902

# AIR INLET AND EXHAUST SYSTEM

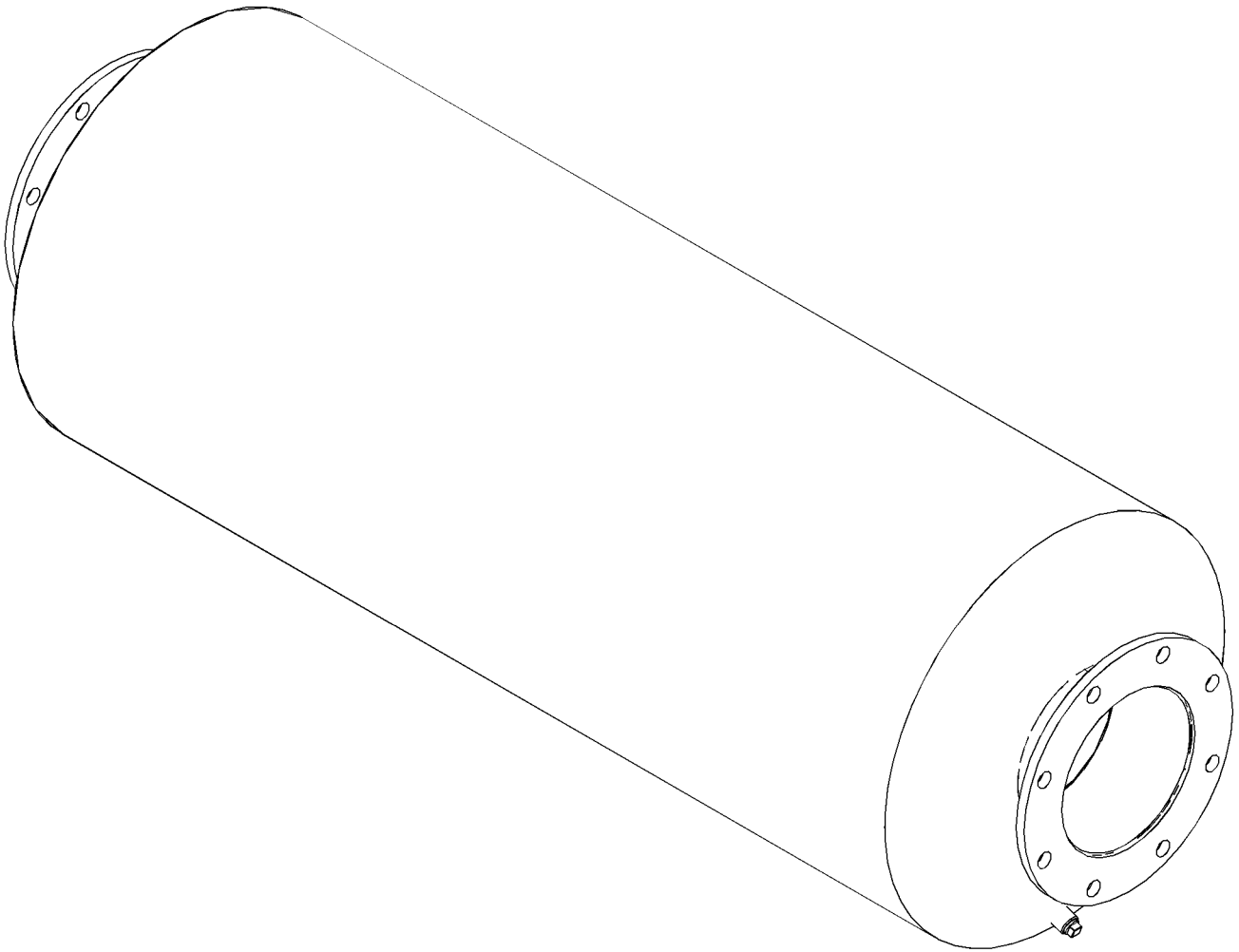
## 428-6164 MUFFLER

S/N: S341-UP  
AN ATTACHMENT

SMCS-1062

i07140991

NOTE	REF NO	GRAPHIC REF	PART NUMBER	QTY	PART NAME						SEE PAGE
					1	2	3	4	5	6 (PRODUCT LEVEL)	
(NO SERVICED PARTS)											



GRAPHIC #1

<END>

g06088578

# AIR INLET AND EXHAUST SYSTEM

## 227-5518 PLUG GP-AIR INLET MANIFOLD

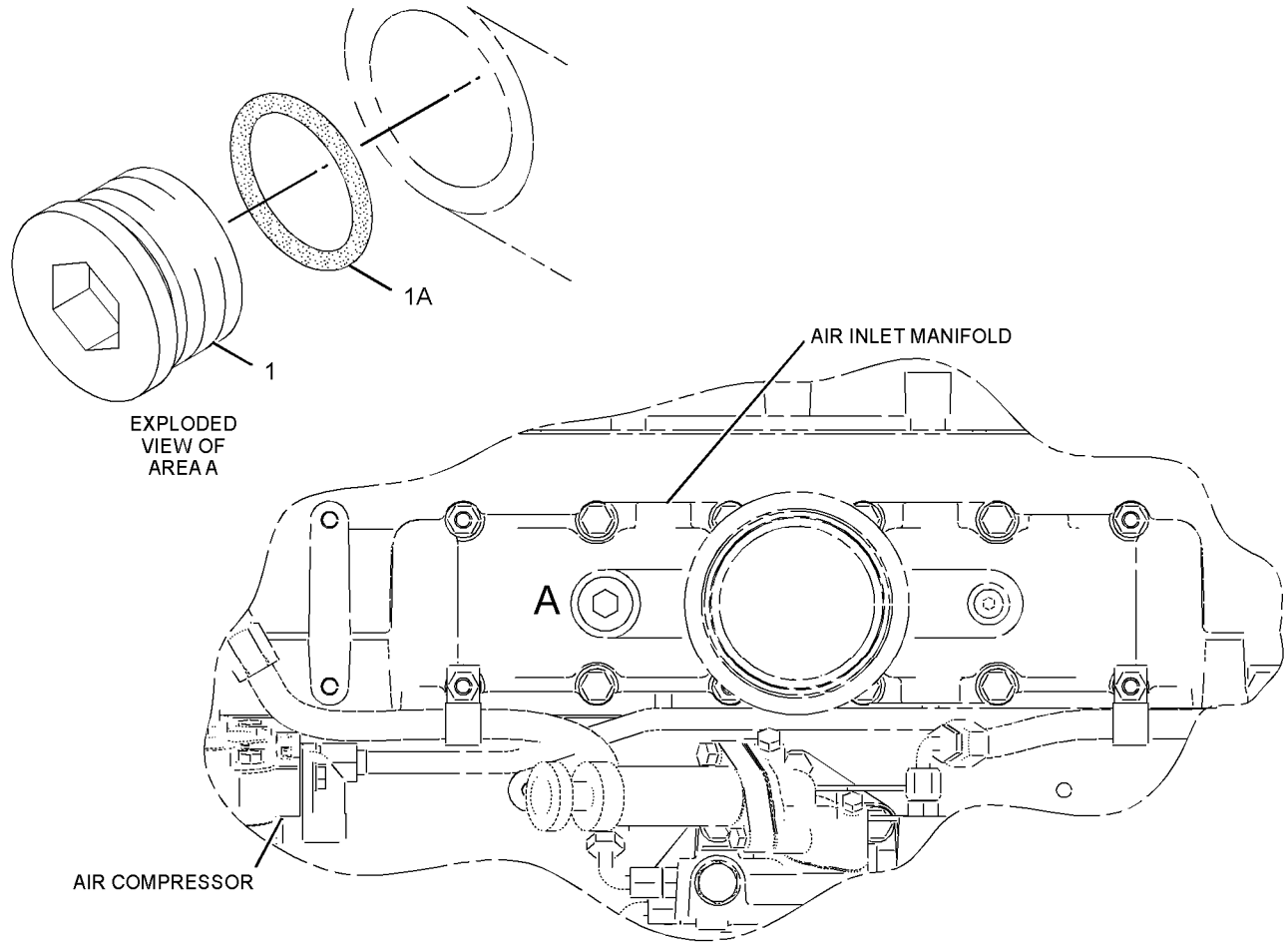
S/N: PW31-UP

PROVIDES PLUG WHEN NO AIR COMPRESSOR AIR LINES ARE USED  
PART OF 434-3726 ENGINE AR-COMplete

SMCS-1058

i05922016

NOTE	REF NO	GRAPHIC REF	PART NUMBER	QTY	PART NAME						SEE PAGE
					1	2	3	4	5	6 (PRODUCT LEVEL)	
	1	1	315-9859	1	PLUG AS						
	1A	1	238-5082	1	SEAL-O-RING						
		1	9S-8008	1	PLUG (1-1/16-12-THD)						



LEFT SIDE VIEW

GRAPHIC #1

<END>

g02083296

# AIR INLET AND EXHAUST SYSTEM

## 252-0622 TURBOCHARGER GP

S/N: PW31-UP

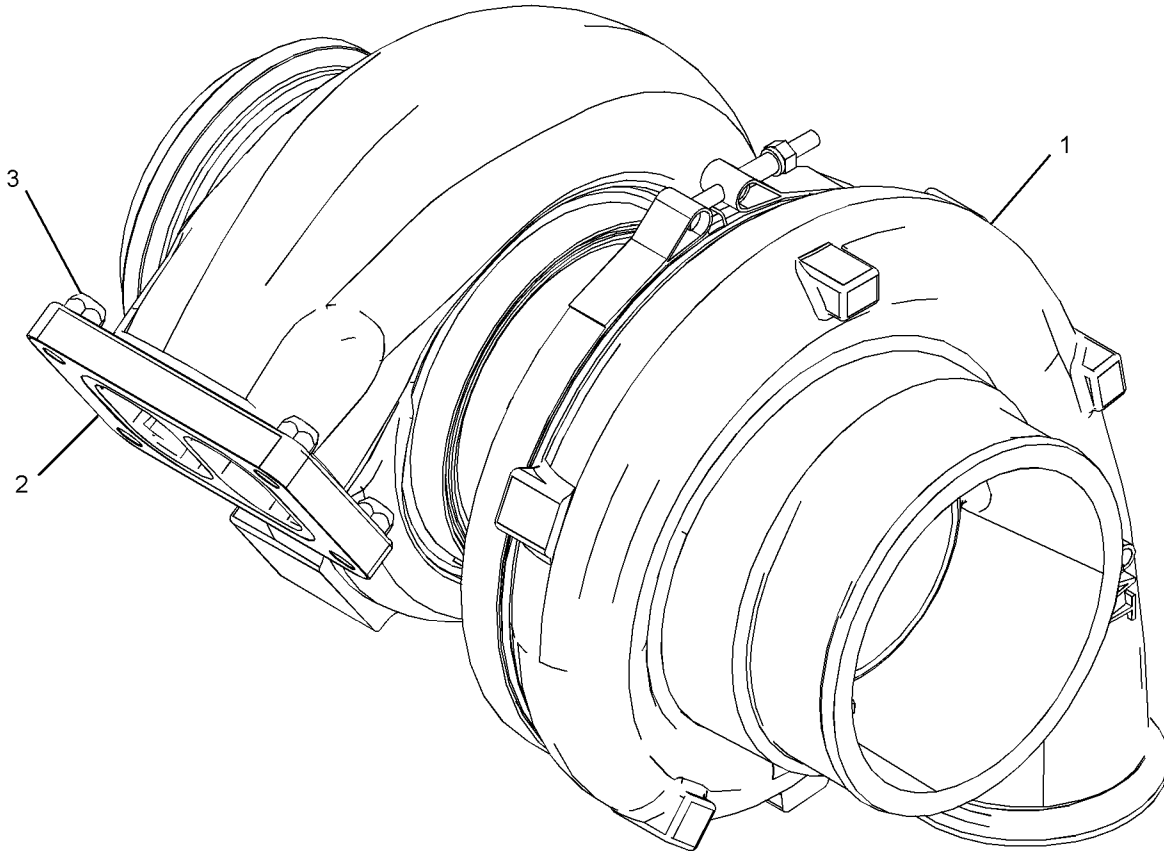
PART OF 434-3726 ENGINE AR-COMplete

SMCS-1052, 1053

i05267665

NOTE	REF NO	GRAPHIC REF	PART NUMBER	QTY	PART NAME						SEE PAGE
					1	2	3	4	5	6 (PRODUCT LEVEL)	
YR	1	1	<b>291-2127</b>	1	TURBOCHARGER GP						107
	2	1	<b>357-1752</b>	1	GASKET-TURBOCHARGER						
M	3	1	<b>9X-6620</b>	4	LOCKNUT (M10X1.5-THD)						

M - METRIC PART  
R - REMANUFACTURED PART MAY BE AVAILABLE  
Y - SEPARATE ILLUSTRATION



GRAPHIC #1

<END>

g03401995

# AIR INLET AND EXHAUST SYSTEM

## 291-2127 TURBOCHARGER GP\*R

S/N: PW31-UP

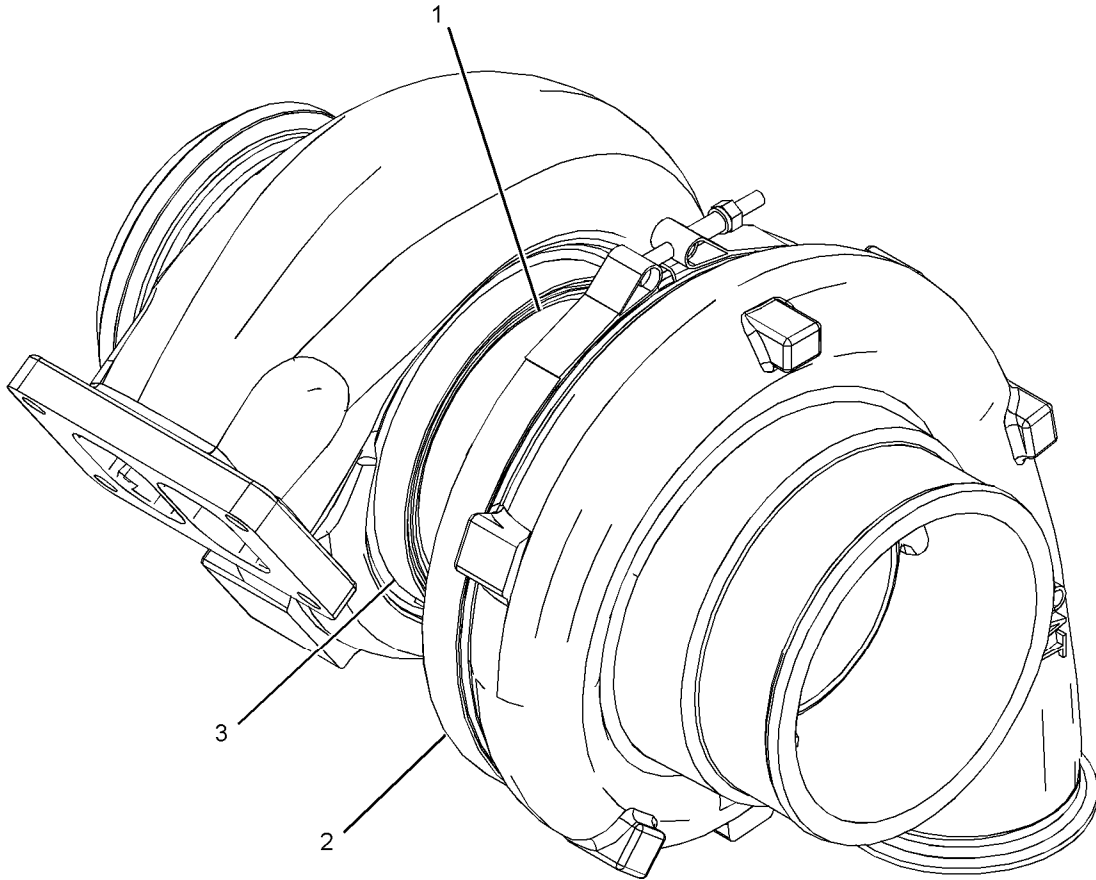
PART OF 252-0622 TURBOCHARGER GP

SMCS-1052, 1053

i06870039

NOTE	REF NO	GRAPHIC REF	PART NUMBER	QTY	PART NAME						SEE PAGE
					1	2	3	4	5	6 (PRODUCT LEVEL)	
YR	1	1	<b>262-4034</b>	1	CARTRIDGE GP-TURBOCHARGER						92
	2	1	<b>268-2960</b>	1	CLAMP AS (COMPRESSOR)						
	3	1	<b>9N-2038</b>	1	CLAMP AS-TURBINE						

R - REMANUFACTURED PART MAY BE AVAILABLE  
 Y - SEPARATE ILLUSTRATION



GRAPHIC #1

<END>

g03402472



# FUEL SYSTEM

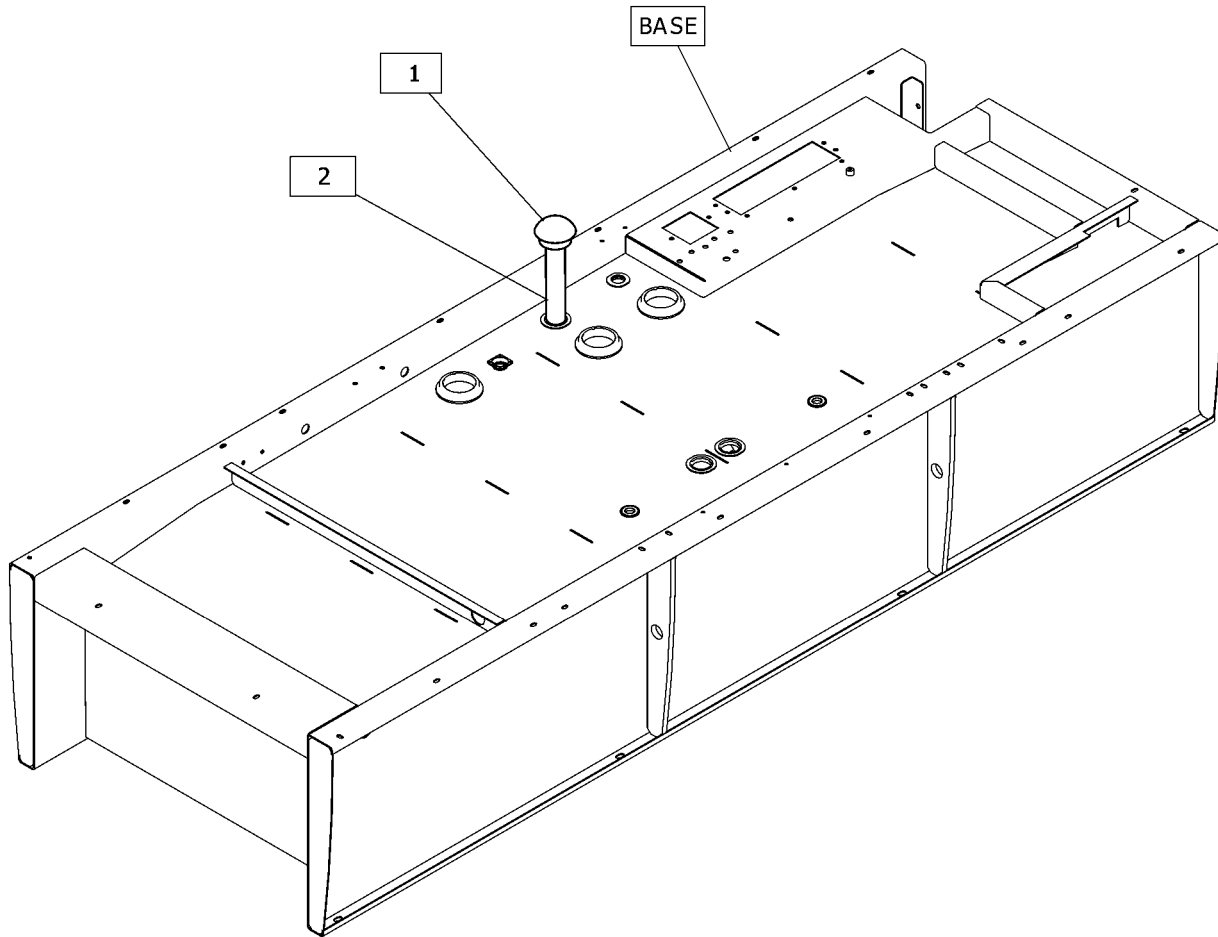
## 580-4617 ACCESSORY GP-FUEL TANK

S/N: S341-UP  
AN ATTACHMENT

SMCS-1273

i07849085

NOTE	REF NO	GRAPHIC REF	PART NUMBER	QTY	PART NAME						SEE PAGE
					1	2	3	4	5	6 (PRODUCT LEVEL)	
	1	1	<b>245-2875</b>	1	VENT						
	2	1	<b>420-4390</b>	1	PIPE						



GRAPHIC #1

<END>

g06459648

# FUEL SYSTEM

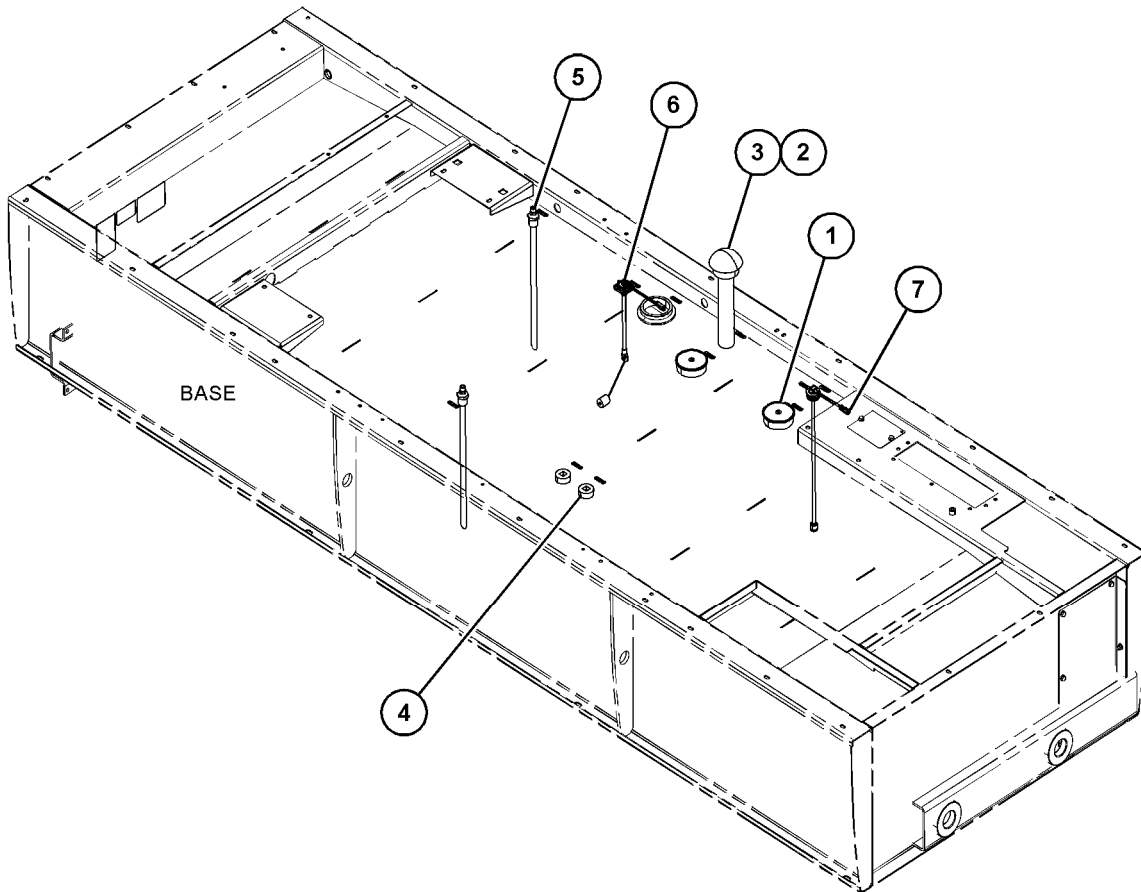
## 580-4620 ACCESSORY GP-FUEL TANK

S/N: S341-UP  
AN ATTACHMENT

SMCS-1273

i07901595

NOTE	REF NO	GRAPHIC REF	PART NUMBER	QTY	PART NAME						SEE PAGE
					1	2	3	4	5	6	
	1	1	<b>242-2082</b>	2	VALVE (FUEL TANK)						
	2	1	<b>245-2875</b>	1	VENT						
	3	1	<b>420-4390</b>	1	PIPE						
	4	1	<b>6V-1897</b>	2	PLUG-PIPE						
	5	1	<b>581-0785</b>	2	PIPE AS						
	6	1	<b>581-6579</b>	1	GAUGE AS-FUEL LEVEL						
		1	<b>582-5233</b>	1	SENDER AS-FUEL LEVEL						
	7	1	<b>581-6582</b>	1	SENSOR AS-FUEL LEVEL						



GRAPHIC #1

<END>

g06477415

# FUEL SYSTEM

## 388-5388 BASE GP-FUEL FILTER

S/N: PW31-UP

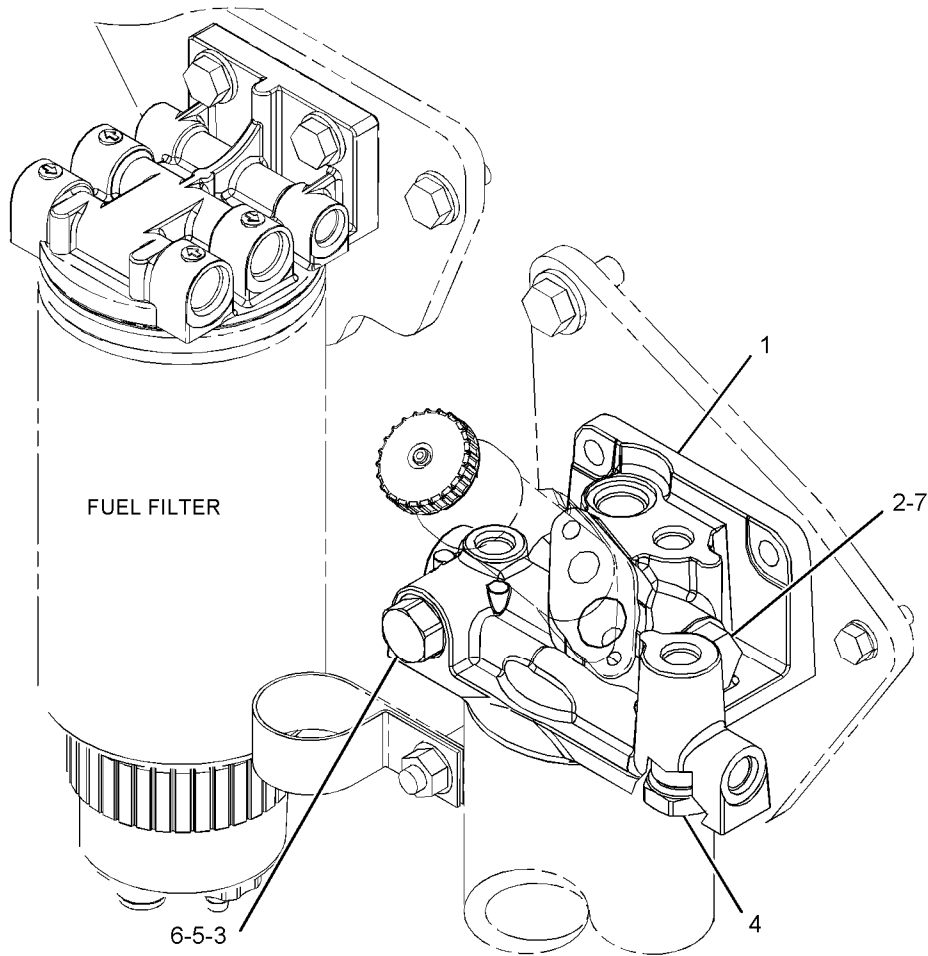
PART OF 428-2679 PUMP GP-FUEL PRM & SEC FILTER

SMCS-1262

i05195777

NOTE	REF NO	GRAPHIC REF	PART NUMBER	QTY	PART NAME						SEE PAGE
					1	2	3	4	5	6 (PRODUCT LEVEL)	
	1	1	<b>136-5017</b>	1	BASE AS-FUEL FILTER						
		1	<b>9S-4167</b>	1	STUD-HOLLOW (1-14X1.47-IN)						
Y	2	1	<b>139-6873</b>	1	VALVE GP-FUEL BYPASS (FILTER)						127
	3	1	<b>143-2933</b>	1	FITTING						
Y	4	1	<b>327-4448</b>	1	VALVE GP-CHECK						126
	5	1	<b>228-7089</b>	1	SEAL-O-RING						
	6	1	<b>238-5080</b>	1	SEAL-O-RING						
	7	1	<b>238-5081</b>	1	SEAL-O-RING						

Y - SEPARATE ILLUSTRATION



GRAPHIC #1

<END>

g03345091

# FUEL SYSTEM

## 422-6086 CAP GP-FUEL FILLER

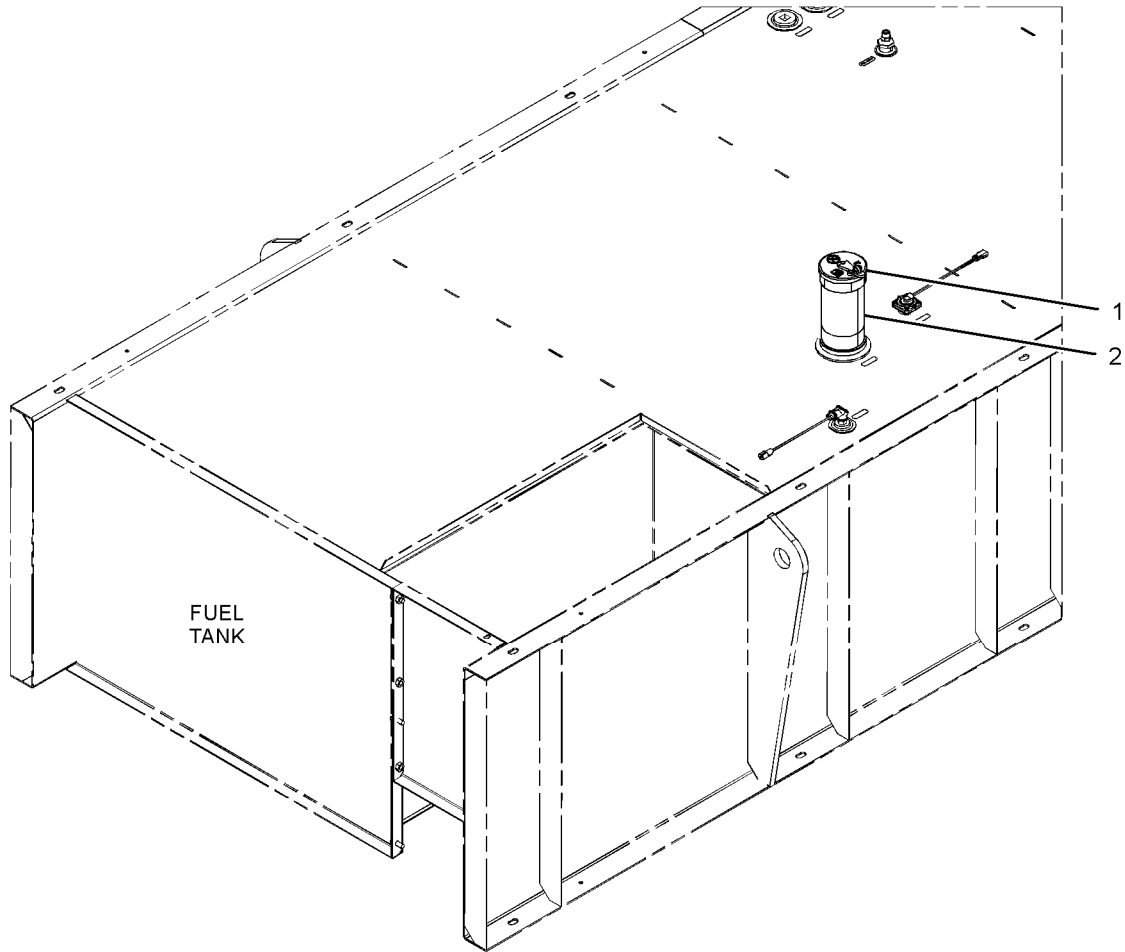
S/N: S341-UP

AN ATTACHMENT

SMCS-1273

i06949614

NOTE	REF NO	GRAPHIC REF	PART NUMBER	QTY	PART NAME						SEE PAGE
					1	2	3	4	5	6 (PRODUCT LEVEL)	
	1	1	<b>101-8909</b>	1	CAP AS-FILLER (FUEL)						
		1	<b>9X-8600</b>	1	SEAL-O-RING						
2		1	<b>422-6085</b>	1	ADAPTER AS-FUEL						
		1	<b>9X-2206</b>	1	ADAPTER AS-FUEL						



GRAPHIC #1

<END>

g03417324

# FUEL SYSTEM

## 479-7039 FILTER GP-FUEL

S/N: PW31-UP

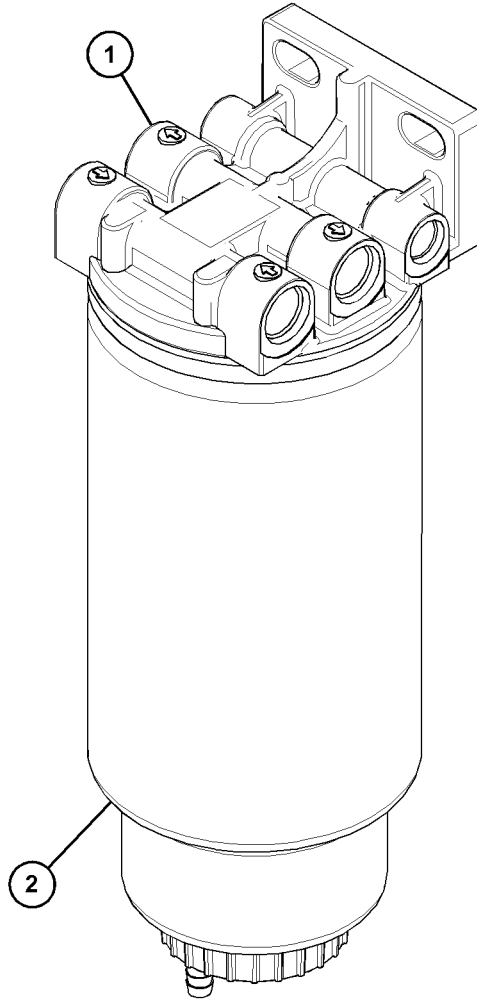
PART OF 419-5100 MOUNTING GP-FUEL FILTER

SMCS-1261

i07140969

NOTE	REF NO	GRAPHIC REF	PART NUMBER	QTY	PART NAME						SEE PAGE
					1	2	3	4	5	6 (PRODUCT LEVEL)	
	1	1	<b>195-1068</b>	1	BASE AS-FUEL FILTER						
		1	<b>9S-4167</b>	1	STUD-HOLLOW (1-14X1.47-IN)						
Y	2	1	<b>423-8521</b>	1	FILTER GP-WATER SEP & FUEL						113

Y - SEPARATE ILLUSTRATION



GRAPHIC #1

<END>

g06063216

# FUEL SYSTEM

## 423-8521 FILTER GP-WATER SEP & FUEL

S/N: PW31-UP

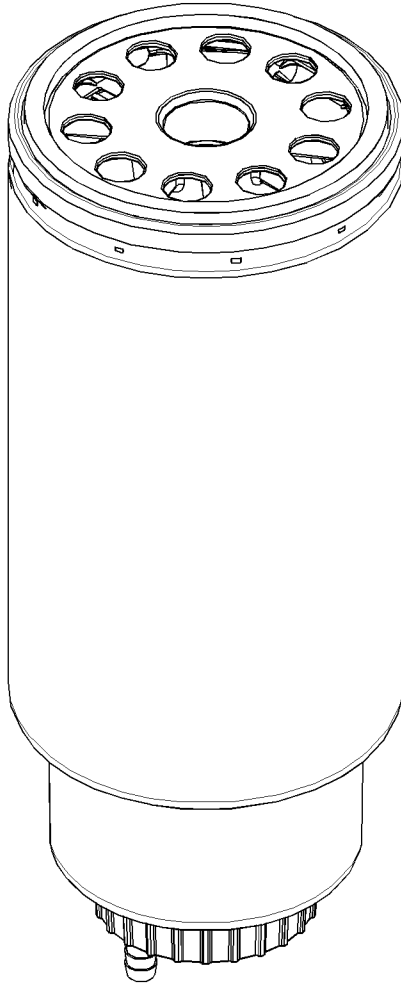
PART OF 479-7039 FILTER GP-FUEL

SMCS-1261, 1263

i05417121

NOTE	REF NO	GRAPHIC REF	PART NUMBER	QTY	PART NAME						SEE PAGE
					1	2	3	4	5	6 (PRODUCT LEVEL)	

(NO BREAKDOWN OF SERVICEABLE PARTS AVAILABLE AT TIME OF PUBLICATION)



GRAPHIC #1

<END>

g03431461

# FUEL SYSTEM

## 253-0608 INJECTOR GP-FUEL\*R

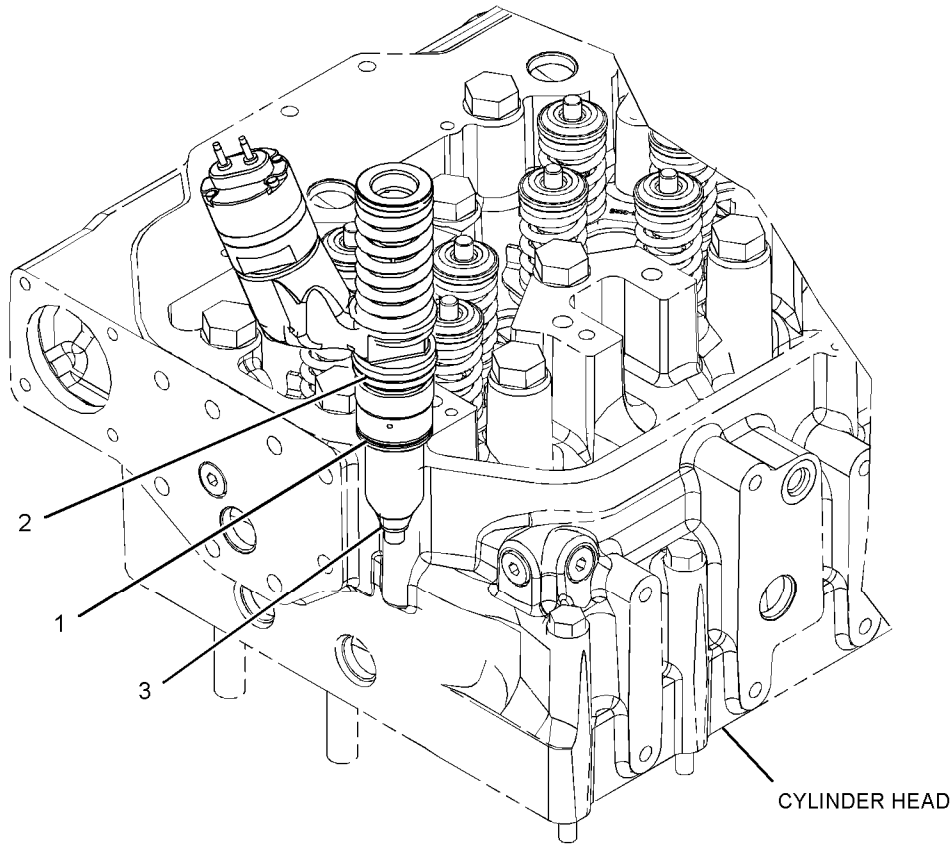
S/N: PW31-UP

PART OF 255-9368 PUMP GP-FUEL INJECTION

SMCS-1251, 1254, 1290, 1713

i05181205

NOTE	REF NO	GRAPHIC REF	PART NUMBER	QTY	PART NAME						SEE PAGE
					1	2	3	4	5	6 (PRODUCT LEVEL)	
1	1	1	<b>230-3728</b>	1	SEAL-O-RING						
2	1	1	<b>230-3775</b>	1	SEAL-O-RING						
3	1	1	<b>9X-7317</b>	1	SEAL-O-RING						



FRONT VIEW OF ENGINE

GRAPHIC #1

<END>

g03334236

# FUEL SYSTEM

## 494-1718 LINES GP-FUEL

S/N: PW31-UP

PART OF 434-3726 ENGINE AR-COMPLETE

SMCS-1274

i07140613

NOTE	REF NO	GRAPHIC REF	PART NUMBER	QTY	PART NAME						SEE PAGE
					1	2	3	4	5	6 (PRODUCT LEVEL)	
	1	1	<b>3S-2093</b>	2	STRAP-CABLE						
I	2	1	<b>6I-4027</b>	1	HOSE AS						
	3	1	<b>7K-1181</b>	1	STRAP-CABLE						
	4	1	250-1424	1	ELBOW AS						
		1	<b>6V-8724</b>	1	ELBOW						
		1	<b>214-7568</b>	1	SEAL-O-RING						
		1	<b>228-7089</b>	1	SEAL-O-RING						
5	1	1	303-1506	1	ELBOW AS						
		1	<b>4K-6297</b>	1	ELBOW						
		1	<b>214-7568</b>	1	SEAL-O-RING						
6	1	1	319-6217	2	CONNECTOR AS						
					(EACH INCLUDES)						
		1	<b>6V-8639</b>	1	CONNECTOR						
		1	<b>228-7090</b>	1	SEAL-O-RING						
		1	<b>238-5080</b>	1	SEAL-O-RING						
7	1	1	319-6226	2	ELBOW AS						
					(EACH INCLUDES)						
		1	<b>8T-6876</b>	1	ELBOW						
		1	<b>214-7568</b>	1	SEAL-O-RING						
		1	<b>228-7090</b>	1	SEAL-O-RING						
8	1	1	321-8657	1	ELBOW AS						
		1	<b>6V-8076</b>	1	ELBOW						
		1	<b>214-7568</b>	1	SEAL-O-RING						
I	9	1	<b>359-9291</b>	1	HOSE AS						
	10	1	398-5596	2	PLUG AS						
					(EACH INCLUDES)						
		1	<b>238-5080</b>	1	SEAL-O-RING						
		1	<b>360-3680</b>	1	PLUG						
11	1	1	<b>430-8486</b>	1	TUBE AS-FUEL						
12	1	1	<b>430-8487</b>	1	HOSE AS						
13	1	1	439-1963	1	ELBOW AS						
		1	<b>214-7568</b>	1	SEAL-O-RING						
		1	<b>439-1962</b>	1	ADAPTER-ELBOW						
14	1	1	<b>443-6656</b>	1	VALVE-CHECK						
15	1	1	456-9487	1	VALVE AS-CHECK						
		1	<b>214-7568</b>	1	SEAL-O-RING						
		1	<b>228-7090</b>	1	SEAL-O-RING						
		1	<b>456-9486</b>	1	VALVE-CHECK						
16	1	1	164-5567	1	COUPLER AS-QUICK DISCONNECT (MALE)						
		1	<b>6V-3965</b>	1	FITTING (QUICK DISCONNECT)						
		1	<b>214-7568</b>	1	SEAL-O-RING						
17	1	1	<b>1P-4278</b>	1	CLAMP-HOSE						
18	1	1	<b>237-9159</b>	1	SPACER (11X19X12-MM THK)						
M	19	1	<b>2Y-5829</b>	1	NUT (M10X1.5-THD)						
	20	1	319-6225	1	ELBOW AS						
		1	<b>6V-8625</b>	1	ELBOW						
		1	<b>228-7090</b>	1	SEAL-O-RING						
		1	<b>238-5080</b>	1	SEAL-O-RING						



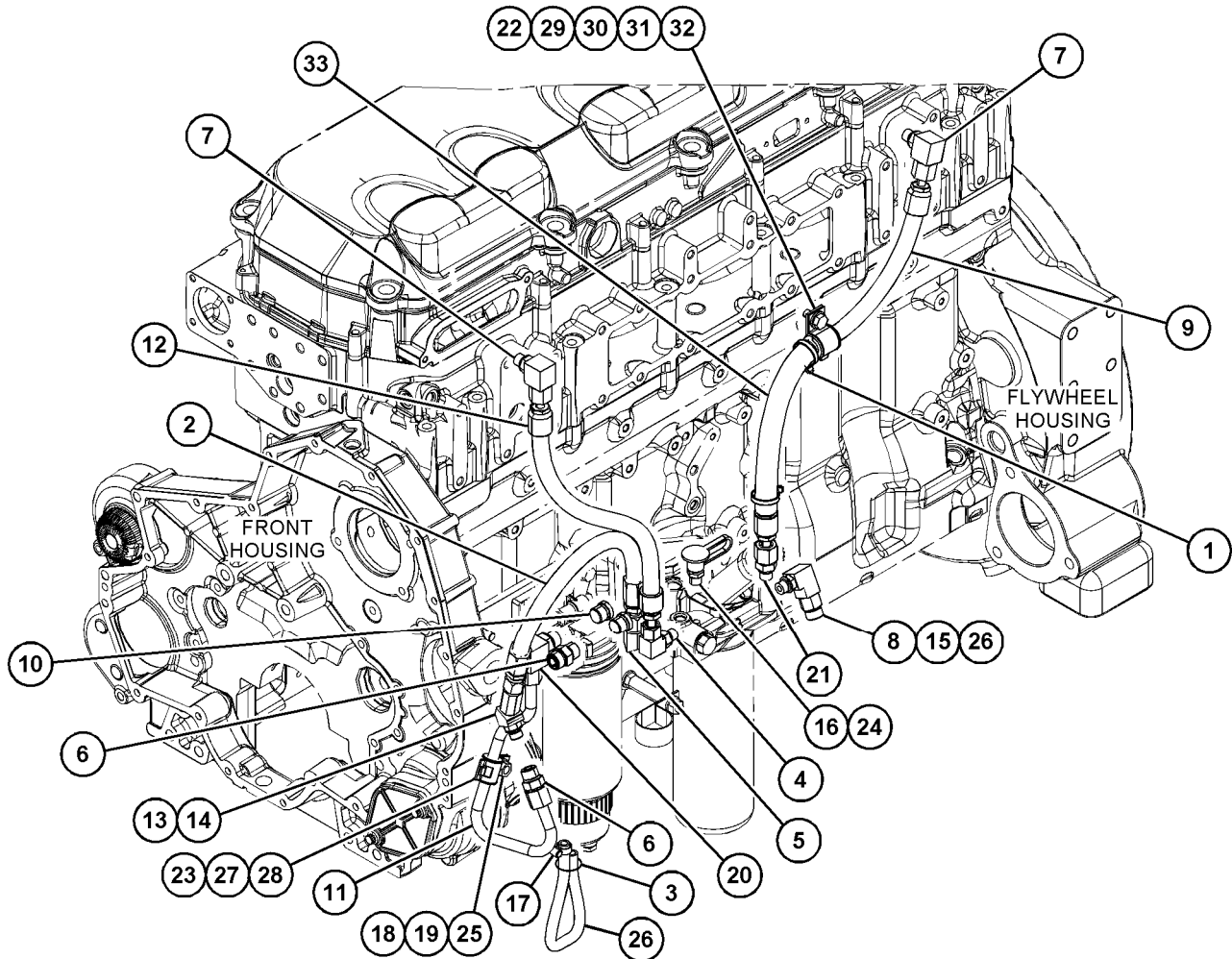
# FUEL SYSTEM

494-1718 LINES GP-FUEL (contd.)

107140613

NOTE	REF NO	GRAPHIC REF	PART NUMBER	QTY	PART NAME	1 2 3 4 5 6 (PRODUCT LEVEL)						SEE PAGE	
	21	1	319-6240	1	CONNECTOR AS								
		1	6V-9873	1	CONNECTOR								
		1	214-7568	1	SEAL-O-RING								
		1	228-7090	1	SEAL-O-RING								
	22	1	353-7953	1	GROMMET (19-MM ID)								
	23	1	353-7957	1	GROMMET								
	24	1	6V-0852	1	CAP-DUST								
	25	1	6V-5839	1	WASHER (11X21X2.5-MM THK)								
D	26	1	5P-5991		HOSE (0.03-M)								
	27	1	8T-1887	1	CLIP (SLOT)								
	28	1	8T-1888	1	CLIP (TAB)								
	29	1	8T-1889	1	CLIP (SLOT)								
	30	1	8T-1890	1	CLIP (TAB)								
	31	1	8T-4121	1	WASHER-HARD (11X21X2.5-MM THK)								
M	32	1	8T-4137	1	BOLT (M10X1.5X20-MM)								
E	33	1	8C-5064		CONDUIT-FLEXIBLE (17.75-MM ID, SPLIT) (21-CM)								

D - ORDER BY THE METER  
 E - ORDER BY THE CENTIMETER  
 I - REFER TO HYDRAULIC INFORMATION SYSTEM  
 M - METRIC PART



GRAPHIC #1

<END>

g06106808

# FUEL SYSTEM

## 580-1315 LINES GP-FUEL

S/N: S341-UP

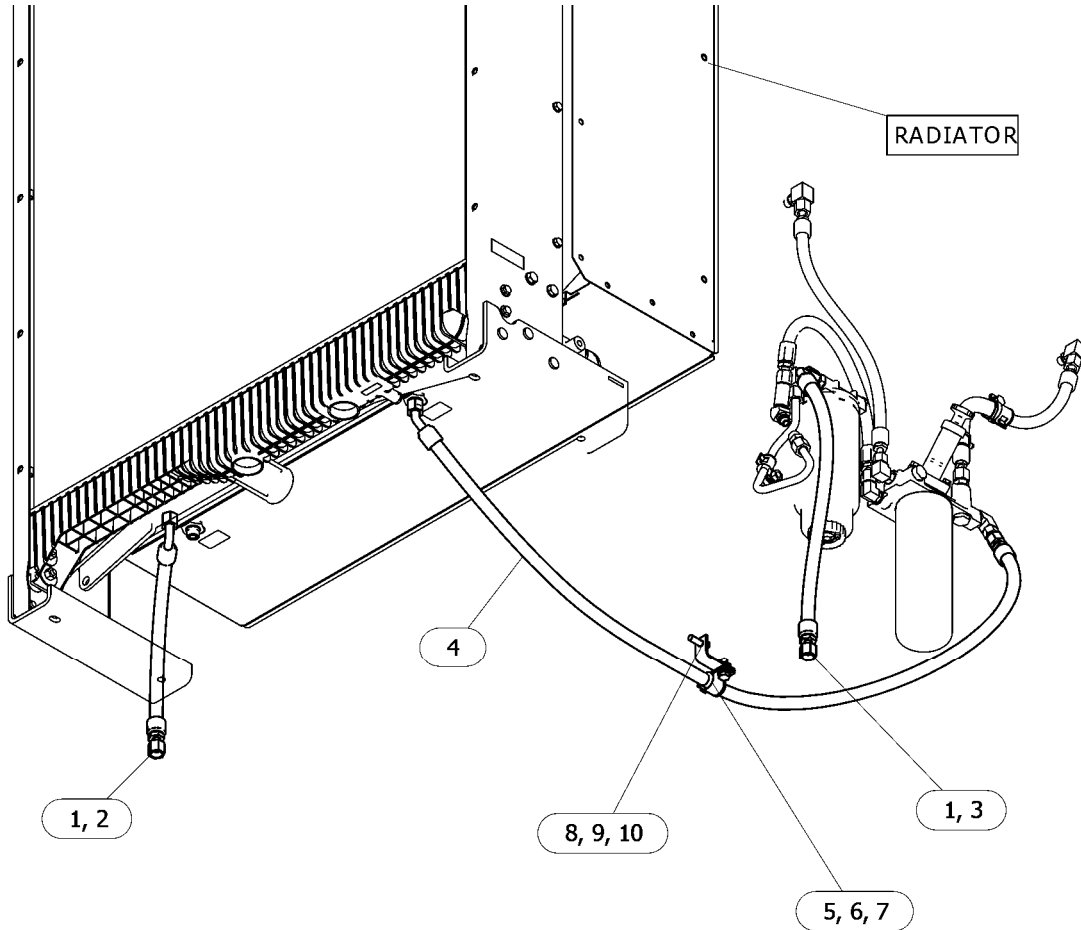
AN ATTACHMENT

SMCS-1274

i07897455

NOTE	REF NO	GRAPHIC REF	PART NUMBER	QTY	PART NAME						SEE PAGE
					1	2	3	4	5	6	
	1	1	<b>228-7090</b>	2	SEAL-O-RING						
I	2	1	<b>390-4916</b>	1	HOSE AS						
I	3	1	<b>393-2405</b>	1	HOSE AS						
I	4	1	<b>463-2553</b>	1	HOSE AS						
	5	1	<b>5G-3676</b>	1	GROMMET						
	6	1	<b>8T-1889</b>	1	CLIP (SLOT)						
	7	1	<b>8T-1890</b>	1	CLIP (TAB)						
	8	1	<b>8T-4121</b>	2	WASHER-HARD (11X21X2.5-MM THK)						
M	9	1	<b>8T-4195</b>	2	BOLT (M10X1.5X30-MM)						
	10	1	<b>127-9323</b>	1	BRACKET AS						

I - REFER TO HYDRAULIC INFORMATION SYSTEM  
M - METRIC PART



GRAPHIC #1

<END>

g06464614

# FUEL SYSTEM

## 580-8182 LINES GP-FUEL

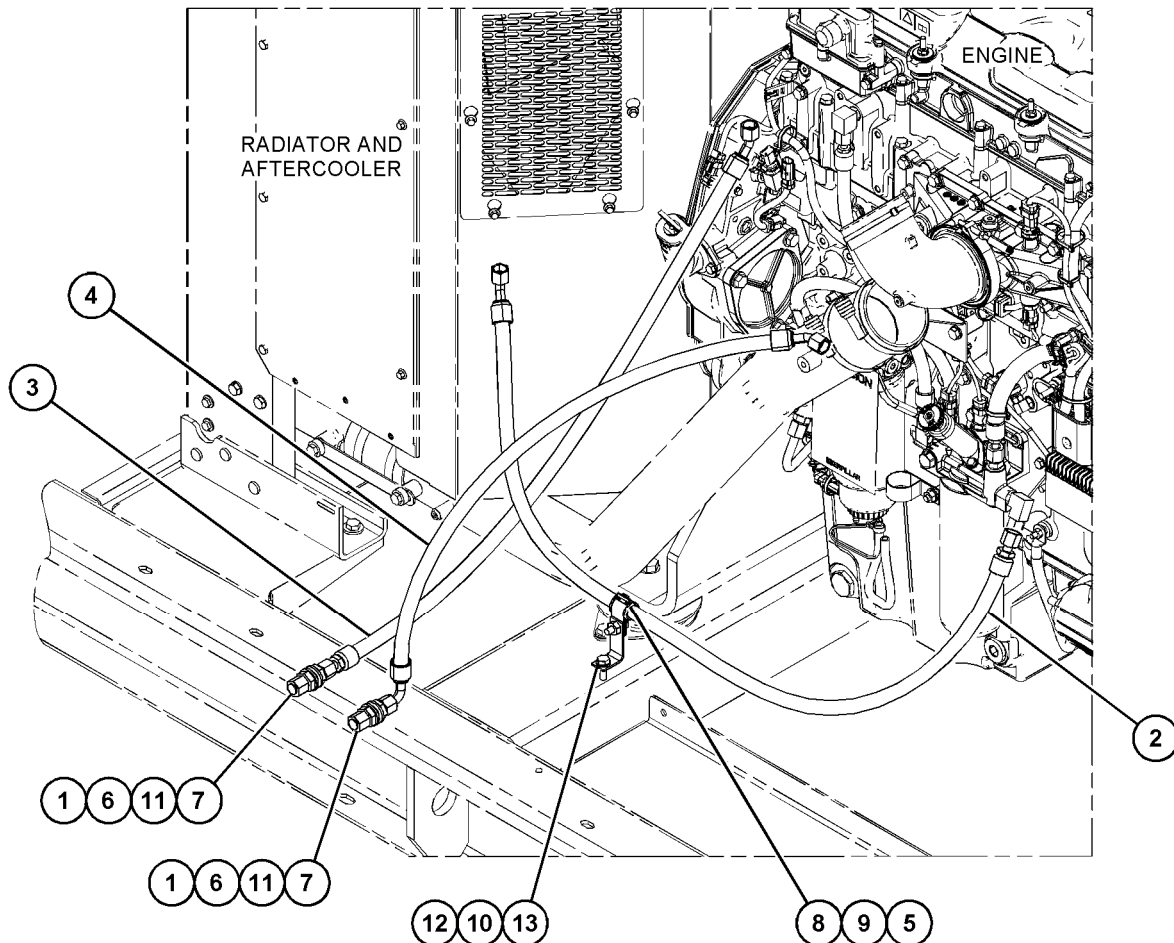
S/N: S341-UP  
AN ATTACHMENT

SMCS-1274

i07867172

NOTE	REF NO	GRAPHIC REF	PART NUMBER	QTY	PART NAME						SEE PAGE
					1	2	3	4	5	6 (PRODUCT LEVEL)	
	1	1	148-8457	2	UNION AS (STRAIGHT)						
					(EACH INCLUDES)						
		1	6V-8398	2	SEAL-O-RING						
		1	6V-8995	1	UNION (STRAIGHT)						
I	2	1	463-2553	1	HOSE AS						
I	3	1	583-8356	1	HOSE AS						
	4	1	583-8357	1	HOSE AS						
	5	1	5G-3676	1	GROMMET						
	6	1	6V-9169	2	NUT (13/16-16-THD)						
	7	1	6V-9830	2	CAP (ORFS)						
	8	1	8T-1889	1	CLIP (SLOT)						
	9	1	8T-1890	1	CLIP (TAB)						
	10	1	8T-4121	2	WASHER-HARD (11X21X2.5-MM THK)						
	11	1	8T-4123	4	WASHER (22X35X3.5-MM THK)						
M	12	1	8T-4195	2	BOLT (M10X1.5X30-MM)						
	13	1	127-9323	1	BRACKET AS						

I - REFER TO HYDRAULIC INFORMATION SYSTEM  
M - METRIC PART



GRAPHIC #1

<END>

g06465044

# FUEL SYSTEM

## 419-5100 MOUNTING GP-FUEL FILTER

S/N: PW31-UP

PART OF 434-3726 ENGINE AR-COMplete

SMCS-1262

i07113184

NOTE	REF NO	GRAPHIC REF	PART NUMBER	QTY	PART NAME						SEE PAGE
					1	2	3	4	5	6	
	1	1	<b>203-3768</b>	1	SPACER (11X16X60-MM THK)						
Y	2	1	479-7039	1	FILTER GP-FUEL						112
	3	1	<b>293-3314</b>	1	PLATE						
	4	1	<b>293-3315</b>	1	PLATE						
Y	5	1	428-2679	1	PUMP GP-FUEL PRM & SEC FILTER						122
M	6	1	<b>142-3953</b>	1	STUD (M10X1.5-THD)						
M	7	1	<b>2Y-5829</b>	1	NUT (M10X1.5-THD)						
M	8	1	<b>303-9449</b>	1	STUD (M10X1.5-THD)						
	9	1	<b>5L-4504</b>	1	CLIP						
	10	1	<b>5P-8245</b>	1	WASHER-HARD (13.5X25.5X3-MM THK)						
M	11	1	<b>6V-1820</b>	4	BOLT (M10X1.5X30-MM)						
M	12	1	<b>6V-3668</b>	1	BOLT (M12X1.75X30-MM)						
M	13	1	<b>6V-3940</b>	1	BOLT (M8X1.25X25-MM)						
M	14	1	<b>6V-4248</b>	3	BOLT (M10X1.5X25-MM)						
	15	1	<b>6V-5839</b>	10	WASHER (11X21X2.5-MM THK)						
	16	1	<b>9M-1974</b>	1	WASHER-HARD (8.8X16X2-MM THK)						

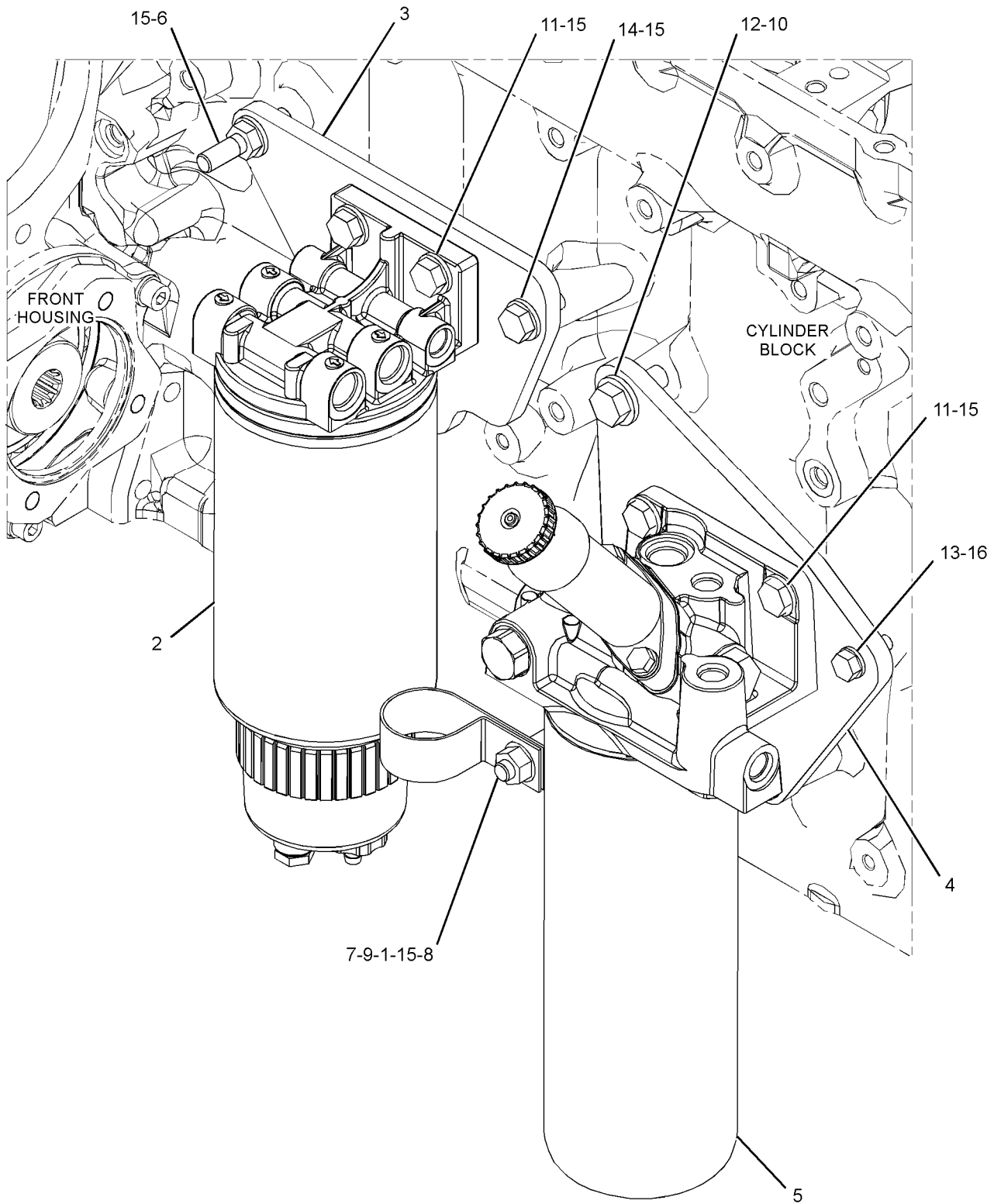
M - METRIC PART

Y - SEPARATE ILLUSTRATION

# FUEL SYSTEM

419-5100 MOUNTING GP-FUEL FILTER (contd.)

107113184



GRAPHIC #1

<END>

g03388677

# FUEL SYSTEM

## 255-9368 PUMP GP-FUEL INJECTION

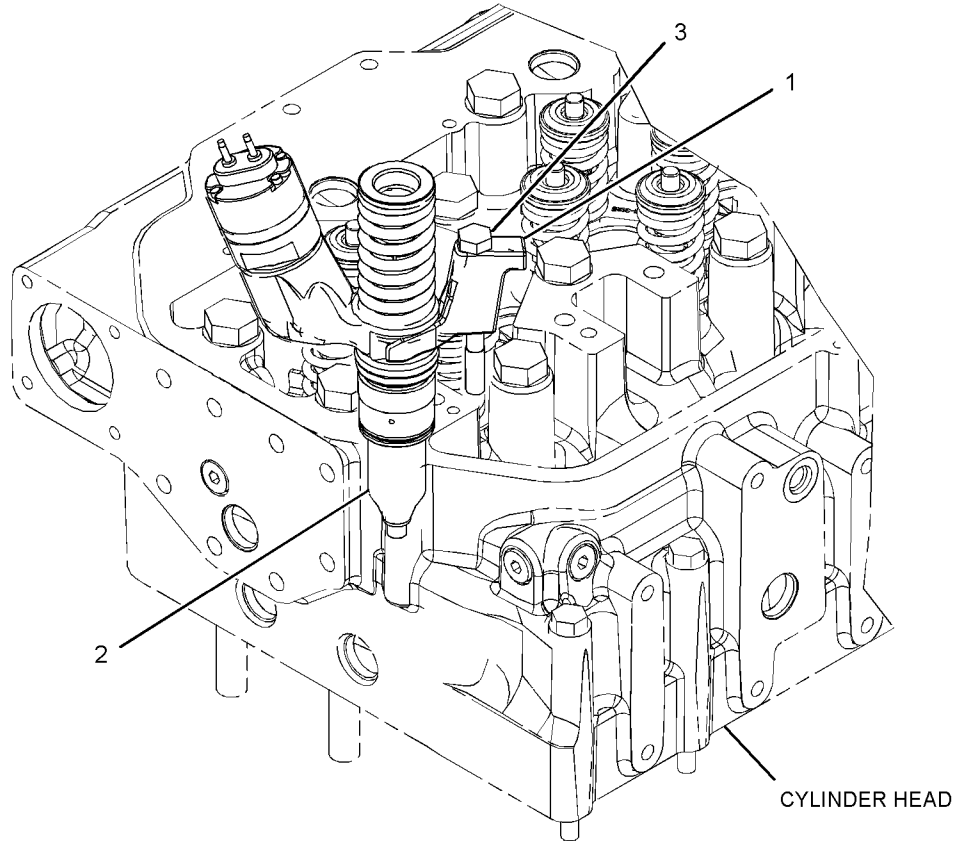
S/N: PW31-UP

SMCS-1251, 1290

i05181200

NOTE	REF NO	GRAPHIC REF	PART NUMBER	QTY	PART NAME						SEE PAGE
					1	2	3	4	5	6 (PRODUCT LEVEL)	
	1	1	<b>224-4991</b>	1	CLAMP-INJECTOR						
YR	2	1	253-0608	1	INJECTOR GP-FUEL						114
M	3	1	<b>8T-0644</b>	1	BOLT (M10X1.5X90-MM)						

M - METRIC PART  
R - REMANUFACTURED PART MAY BE AVAILABLE  
Y - SEPARATE ILLUSTRATION



GRAPHIC #1

<END>

g03334314

# FUEL SYSTEM

## 428-2679 PUMP GP-FUEL PRM & SEC FILTER

S/N: PW31-UP

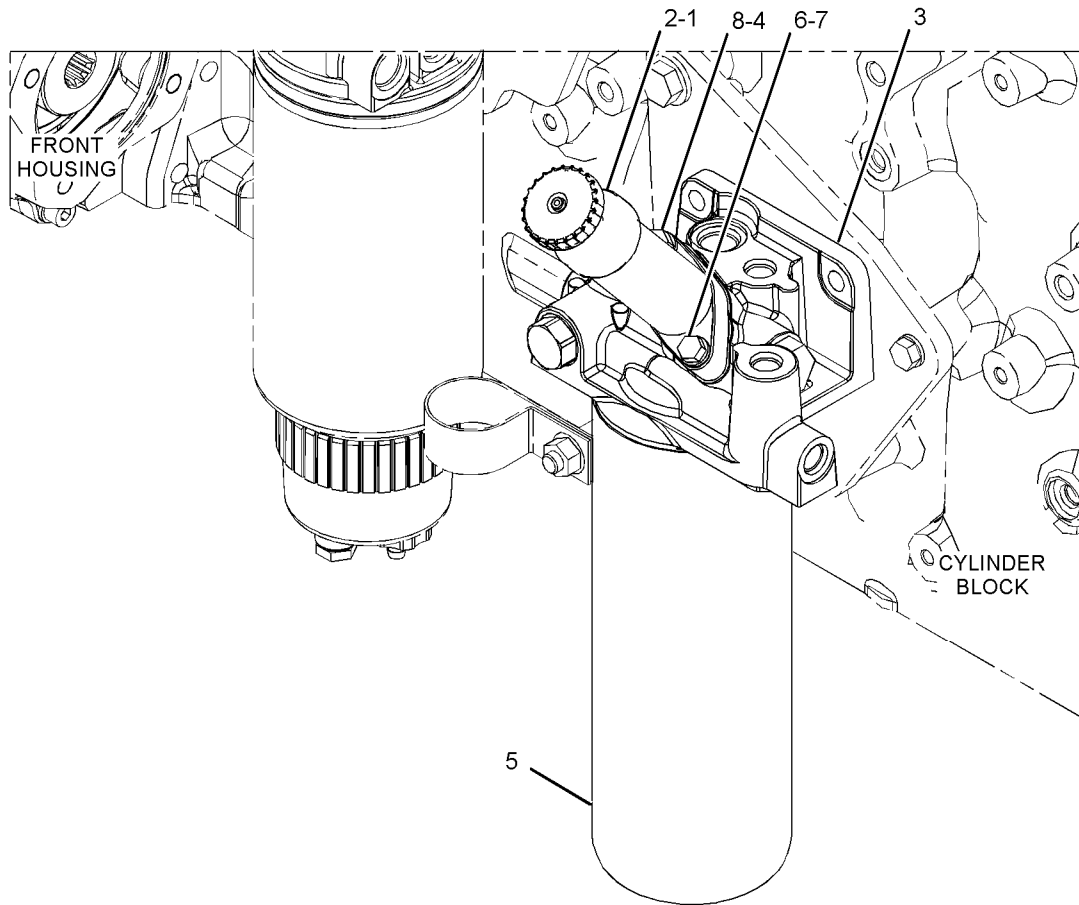
PART OF 419-5100 MOUNTING GP-FUEL FILTER

SMCS-1258, 1261

i05171292

NOTE	REF NO	GRAPHIC REF	PART NUMBER	QTY	PART NAME						SEE PAGE
					1	2	3	4	5	6	
	1	1	<b>1P-0436</b>	1	GASKET (FUEL PRIMING PUMP)						
	2	1	<b>137-5541</b>	1	PUMP GP-FUEL PRIMING						
		1	<b>229-3218</b>	2	VALVE AS						
Y	3	1	<b>388-5388</b>	1	BASE GP-FUEL FILTER						110
	4	1	<b>1B-7182</b>	1	BOLT (5/16-18X1.25-IN)						
	5	1	<b>1R-0749</b>	1	FILTER-FUEL (ADVANCED EFFICIENCY)						
	6	1	<b>5P-0537</b>	1	WASHER-HARD (7.2X14.5X2-MM THK)						
	7	1	<b>7B-2742</b>	1	BOLT (1/4-20X1.25-IN)						
	8	1	<b>9M-1974</b>	1	WASHER-HARD (8.8X16X2-MM THK)						

Y - SEPARATE ILLUSTRATION



GRAPHIC #1

<END>

g03388678

# FUEL SYSTEM

## 301-2262 PUMP GP-FUEL TRANSFER

S/N: PW31-UP

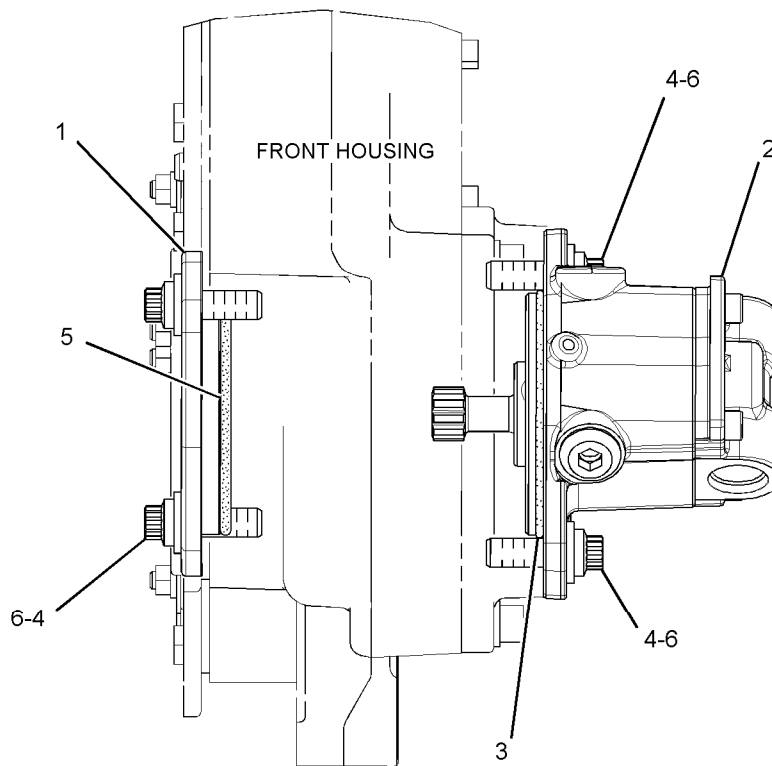
PART OF 434-3726 ENGINE AR-COMplete

SMCS-1256

i05324116

NOTE	REF NO	GRAPHIC REF	PART NUMBER	QTY	PART NAME						SEE PAGE
					1	2	3	4	5	6 (PRODUCT LEVEL)	
	1	1	<b>296-3447</b>	1	COVER						
CYR	2	1	<b>384-8611</b>	1	PUMP GP-FUEL TRANSFER						124
	3	1	<b>107-5769</b>	1	SEAL-O-RING						
M	4	1	<b>136-4183</b>	4	BOLT-12 POINT HEAD (M10X1.5X30-MM)						
	5	1	<b>5P-4889</b>	1	SEAL-O-RING						
	6	1	<b>6V-5839</b>	4	WASHER (11X21X2.5-MM THK)						

C - CHANGE FROM PREVIOUS TYPE  
M - METRIC PART  
R - REMANUFACTURED PART MAY BE AVAILABLE  
Y - SEPARATE ILLUSTRATION



LEFT SIDE VIEW OF ENGINE

GRAPHIC #1

<END>

g01457936



# FUEL SYSTEM

## 384-8611 PUMP GP-FUEL TRANSFER\*R

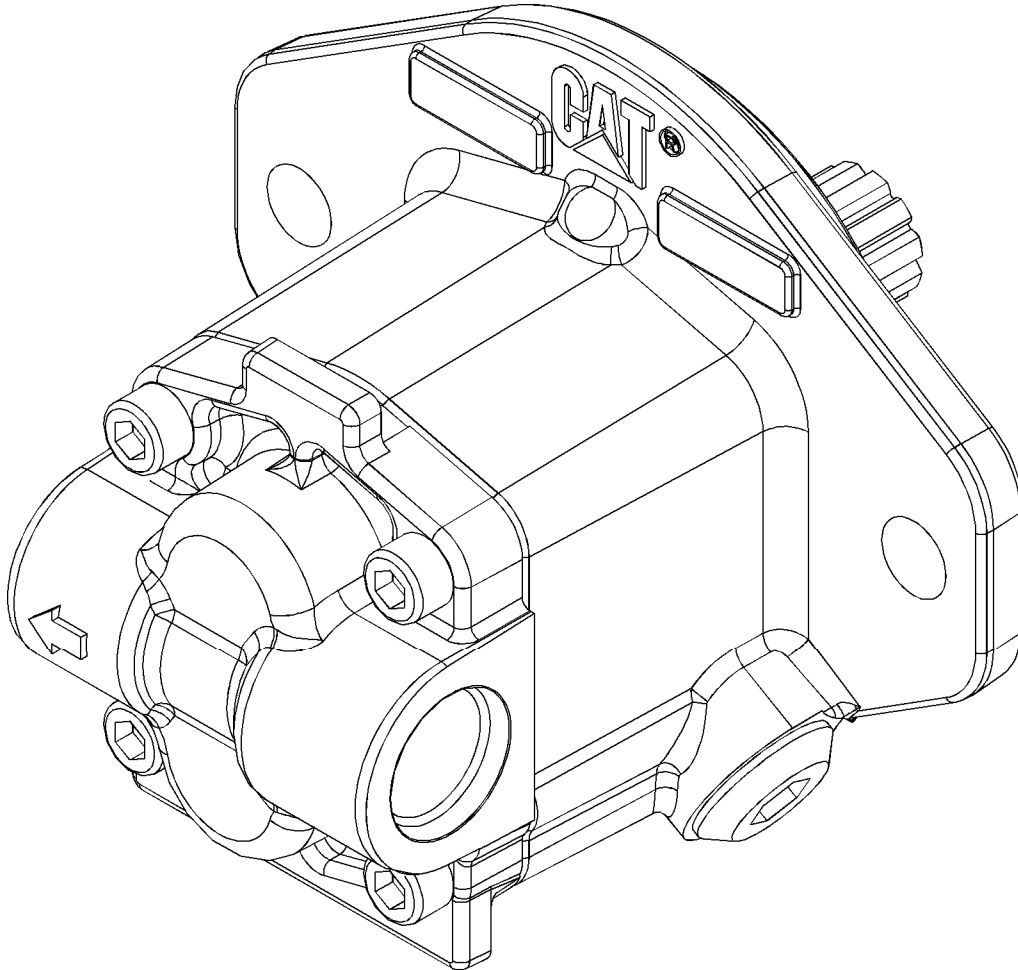
S/N: PW31-UP

PART OF 301-2262 PUMP GP-FUEL TRANSFER

SMCS-1256

i06178007

NOTE	REF NO	GRAPHIC REF	PART NUMBER	QTY	PART NAME	SEE PAGE
					1 2 3 4 5 6 (PRODUCT LEVEL)	
(NO SERVICED PARTS)						



GRAPHIC #1

<END>

g03842471

# FUEL SYSTEM

## 327-0376 VALVE GP-CHECK-FUEL

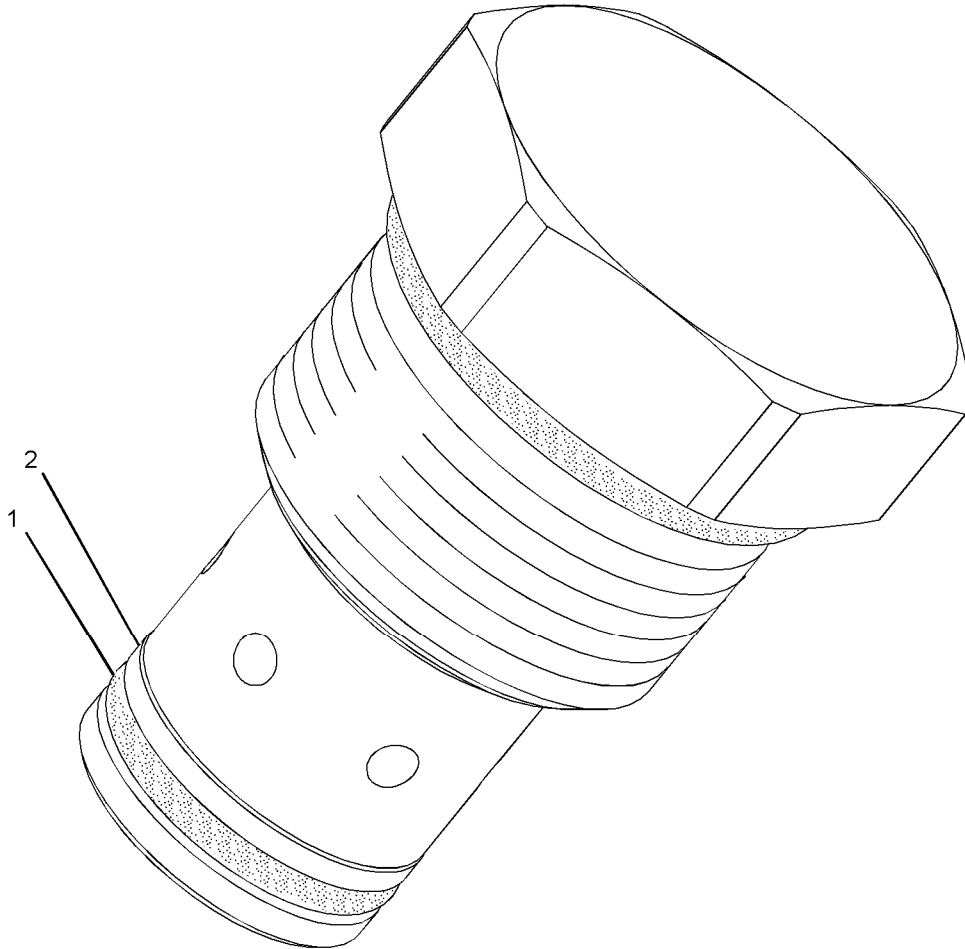
S/N: PW31-UP

PART OF 327-4448 VALVE GP-CHECK

SMCS-1262

i03597860

NOTE	REF NO	GRAPHIC REF	PART NUMBER	QTY	PART NAME						SEE PAGE
					1	2	3	4	5	6 (PRODUCT LEVEL)	
	1	1	<b>033-6033</b>	1	SEAL-O-RING						
	2	1	<b>6V-6923</b>	1	RING-BACKUP						



GRAPHIC #1

<END>

g01294010

# FUEL SYSTEM

## 327-4448 VALVE GP-CHECK

S/N: PW31-UP

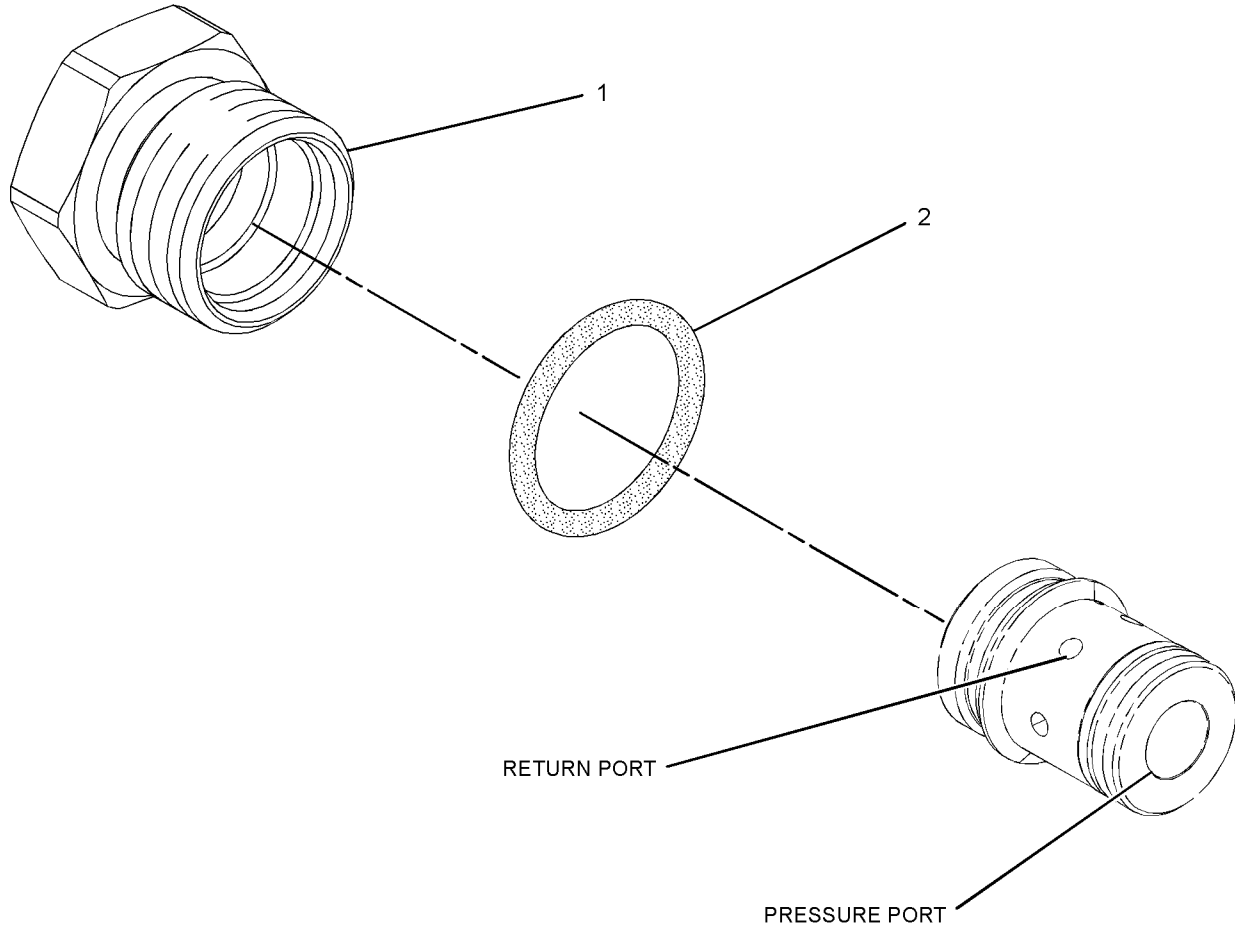
FUEL PRESSURE REGULATING  
PART OF 388-5388 BASE GP-FUEL FILTER

SMCS-1262

i04484869

NOTE	REF NO	GRAPHIC REF	PART NUMBER	QTY	PART NAME						SEE PAGE
					1	2	3	4	5	6 (PRODUCT LEVEL)	
Y	1	1	<b>327-0376</b>	1	VALVE GP-CHECK (FUEL)						125
	2	1	<b>033-6027</b>	1	SEAL-O-RING						

Y - SEPARATE ILLUSTRATION



GRAPHIC #1

<END>

g01295058

# FUEL SYSTEM

## 139-6873 VALVE GP-FUEL BYPASS-FILTER

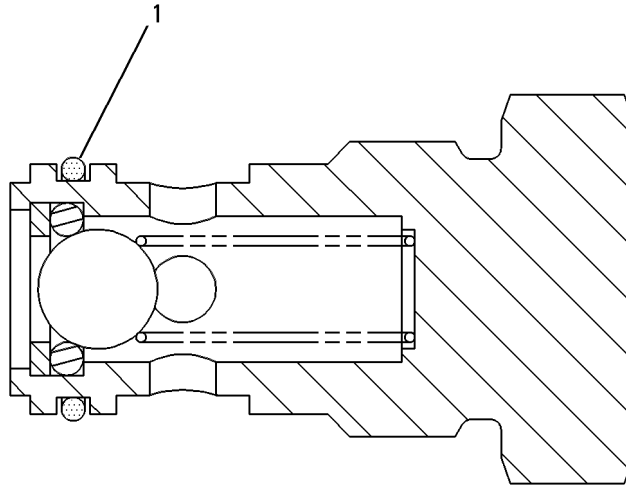
S/N: PW31-UP

PART OF 388-5388 BASE GP-FUEL FILTER

SMCS-1256

i01986135

NOTE	REF NO	GRAPHIC REF	PART NUMBER	QTY	PART NAME 1 2 3 4 5 6 (PRODUCT LEVEL)	SEE PAGE
	1	1	<b>9X-7737</b>	1	SEAL-O-RING	



GRAPHIC #1

<END>

g00266124

# ELECTRICAL AND STARTING SYSTEM

## 441-4049 BAR GP-GROUND

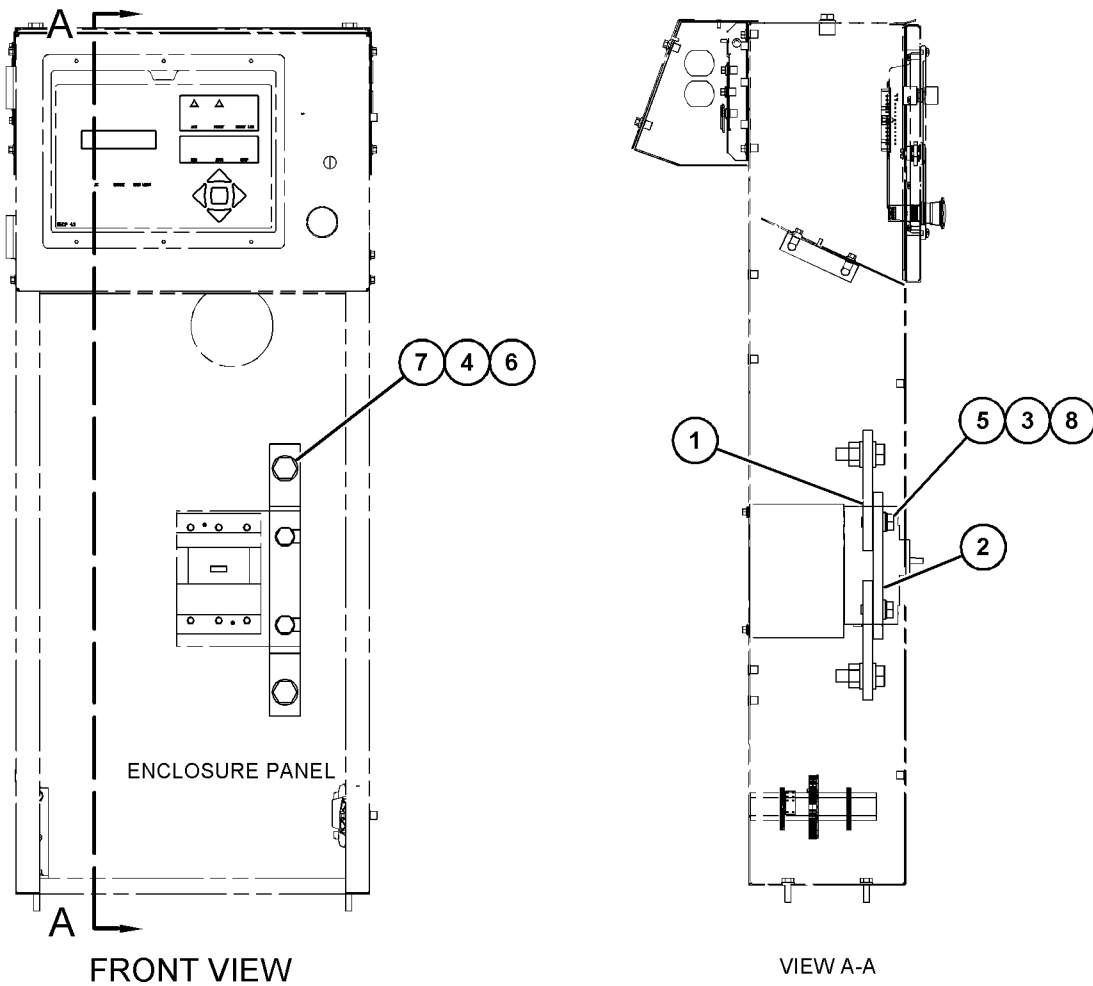
S/N: S341-UP  
AN ATTACHMENT

SMCS-4460

i07053181

NOTE	REF NO	GRAPHIC REF	PART NUMBER	QTY	PART NAME						SEE PAGE
					1	2	3	4	5	6 (PRODUCT LEVEL)	
	1	1	<b>437-5962</b>	2	BAR						
	2	1	<b>437-5963</b>	1	BAR						
	3	1	<b>1H-3338</b>	2	LOCKWASHER						
M	4	1	<b>5C-7261</b>	2	NUT (M8X1.25-THD)						
M	5	1	<b>5C-9553</b>	2	BOLT (M6X1X16-MM)						
	6	1	<b>8T-4224</b>	4	WASHER-HARD (8.8X16X2-MM THK)						
M	7	1	<b>8T-4908</b>	2	BOLT (M8X1.25X25-MM)						
	8	1	<b>9X-8256</b>	2	WASHER (6.6X12X2-MM THK)						

M - METRIC PART



GRAPHIC #1

<END>

g03567002

# ELECTRICAL AND STARTING SYSTEM

## 441-4050 BAR GP-GROUND

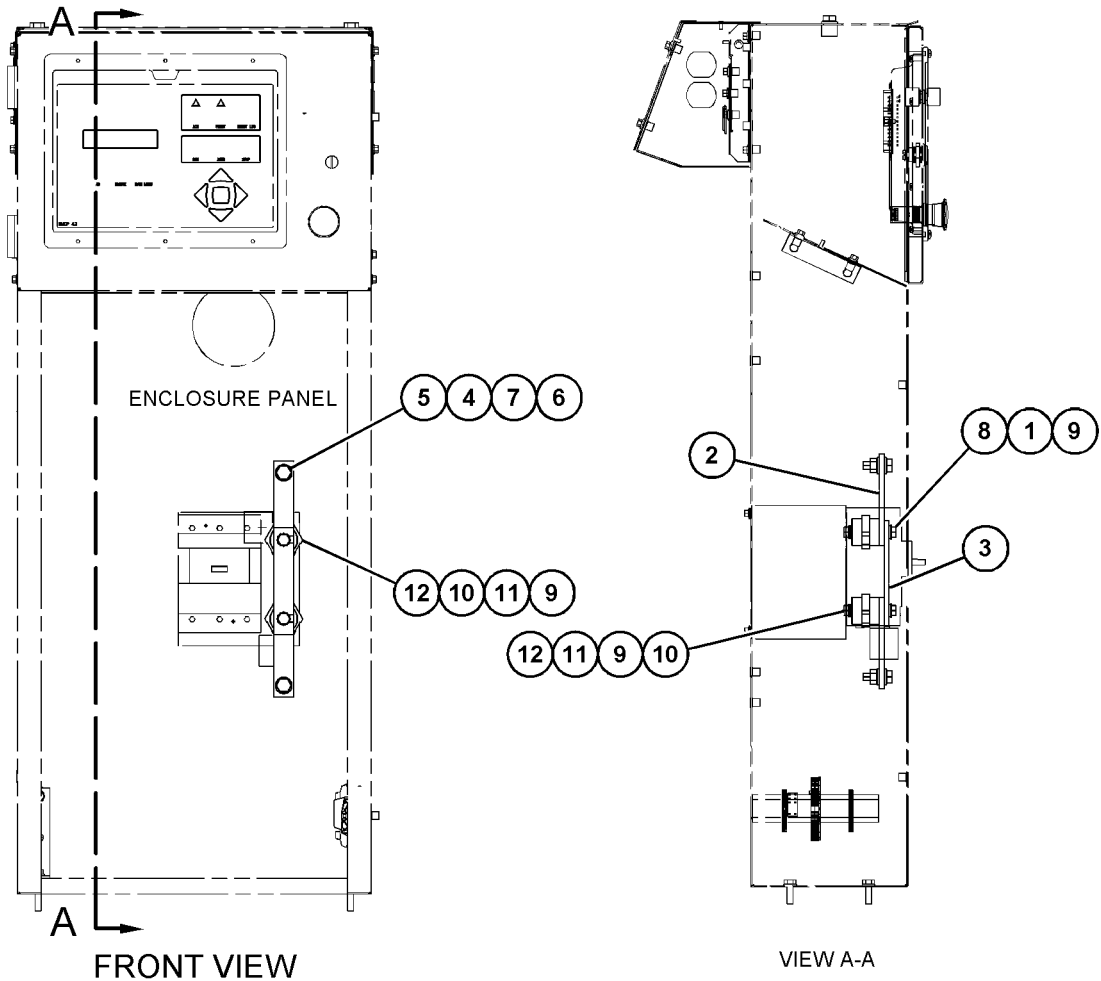
S/N: S341-UP  
AN ATTACHMENT

SMCS-4460

i07719154

NOTE	REF NO	GRAPHIC REF	PART NUMBER	QTY	PART NAME						SEE PAGE
					1	2	3	4	5	6 (PRODUCT LEVEL)	
	1	1	<b>3K-8909</b>	2	LOCKWASHER						
	2	1	<b>437-5959</b>	2	BAR						
	3	1	<b>437-5960</b>	1	BAR						
	4	1	<b>124-7346</b>	4	LOCKWASHER						
	5	1	<b>8T-4121</b>	4	WASHER-HARD (11X21X2.5-MM THK)						
M	6	1	<b>8T-4133</b>	2	NUT (M10X1.5-THD)						
M	7	1	<b>8T-4195</b>	2	BOLT (M10X1.5X30-MM)						
M	8	1	<b>8T-4908</b>	2	BOLT (M8X1.25X25-MM)						
	9	1	<b>8T-4224</b>	4	WASHER-HARD (8.8X16X2-MM THK)						
M	10	1	<b>6V-2316</b>	2	BOLT (M8X1.25X12-MM)						
	11	1	<b>7H-3937</b>	2	LOCKWASHER						
	12	1	<b>143-4456</b>	2	INSULATOR						

M - METRIC PART



GRAPHIC #1

<END>

g06436648

# ELECTRICAL AND STARTING SYSTEM

## 441-4053 BAR GP-GROUND

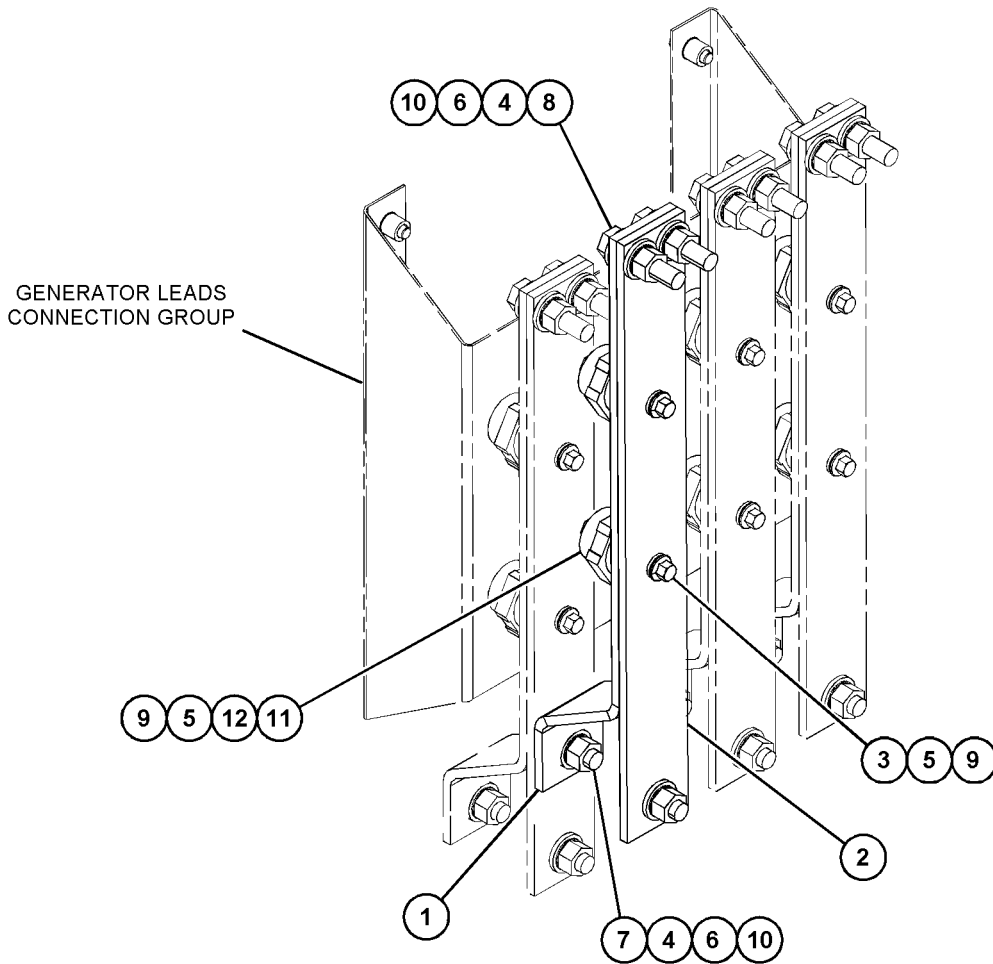
S/N: S341-UP  
AN ATTACHMENT

SMCS-4460

i07719158

NOTE	REF NO	GRAPHIC REF	PART NUMBER	QTY	PART NAME						SEE PAGE
					1	2	3	4	5	6 (PRODUCT LEVEL)	
	1	1	<b>263-8719</b>	1	BAR-NEUTRAL						
	2	1	<b>263-8720</b>	1	PLATE						
M	3	1	<b>208-9282</b>	2	BOLT (M8X1.25X25-MM)						
	4	1	<b>214-0910</b>	8	LOCKWASHER						
	5	1	<b>3F-9556</b>	4	LOCKWASHER						
	6	1	<b>5P-8245</b>	8	WASHER-HARD (13.5X25.5X3-MM THK)						
M	7	1	<b>8T-4139</b>	2	BOLT (M12X1.75X30-MM)						
M	8	1	<b>8T-4194</b>	2	BOLT (M12X1.75X50-MM)						
	9	1	<b>8T-4224</b>	4	WASHER-HARD (8.8X16X2-MM THK)						
M	10	1	<b>8T-4244</b>	4	NUT (M12X1.75-THD)						
	11	1	<b>143-4456</b>	2	INSULATOR						
M	12	1	<b>6V-2316</b>	2	BOLT (M8X1.25X12-MM)						

M - METRIC PART



GRAPHIC #1

<END>

g06436624

# ELECTRICAL AND STARTING SYSTEM

## 442-8624 BAR GP-GROUND

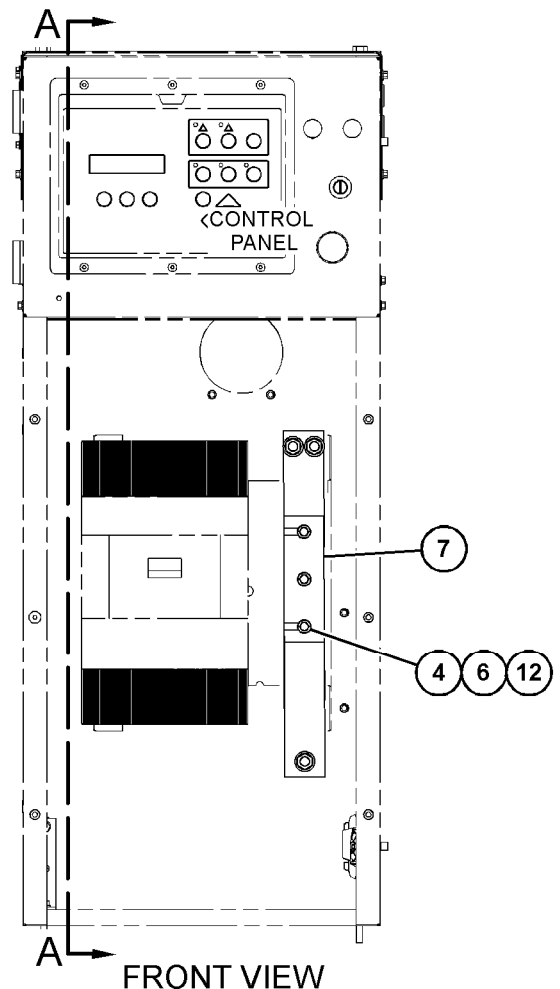
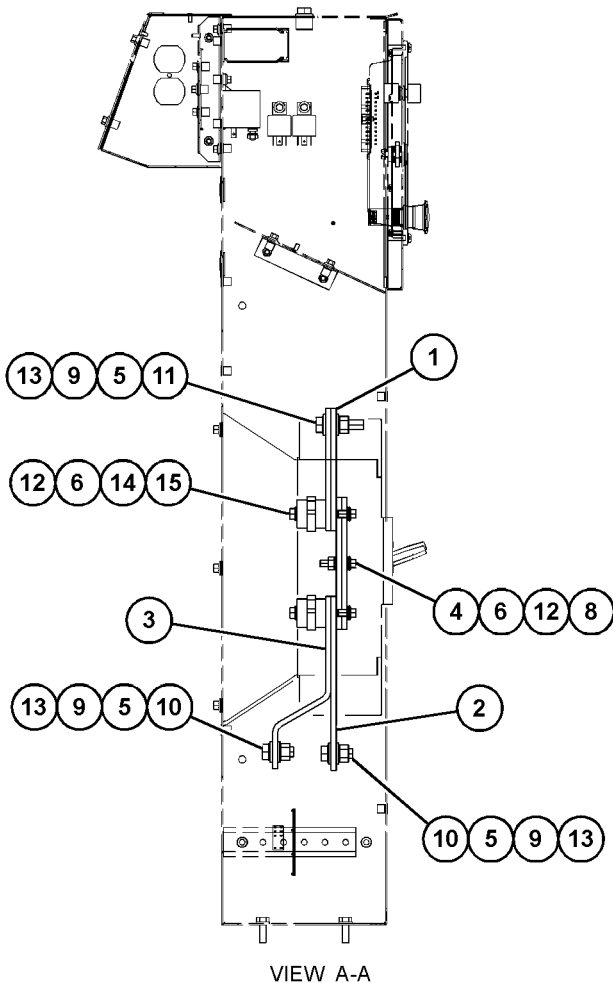
S/N: S341-UP  
AN ATTACHMENT

SMCS-4460

i07716535

NOTE	REF NO	GRAPHIC REF	PART NUMBER	QTY	PART NAME						SEE PAGE
					1	2	3	4	5	6 (PRODUCT LEVEL)	
	1	1	440-2729	2	BAR						
	2	1	440-2730	1	BAR						
	3	1	440-2733	1	BAR						
M	4	1	208-9284	3	BOLT-FLANGE HEAD (M8X1.25X35-MM)						
	5	1	214-0910	8	LOCKWASHER						
	6	1	3F-9556	6	LOCKWASHER						
	7	1	440-2732	2	BAR						
M	8	1	5C-7261	1	NUT (M8X1.25-THD)						
	9	1	5P-8245	8	WASHER-HARD (13.5X25.5X3-MM THK)						
M	10	1	8T-4139	2	BOLT (M12X1.75X30-MM)						
M	11	1	8T-4194	2	BOLT (M12X1.75X50-MM)						
	12	1	8T-4224	6	WASHER-HARD (8.8X16X2-MM THK)						
M	13	1	8T-4244	4	NUT (M12X1.75-THD)						
	14	1	143-4456	2	INSULATOR						
M	15	1	6V-2316	2	BOLT (M8X1.25X12-MM)						

M - METRIC PART



GRAPHIC #1

<END>

g06436677



# ELECTRICAL AND STARTING SYSTEM

## 443-2213 BAR GP-GROUND

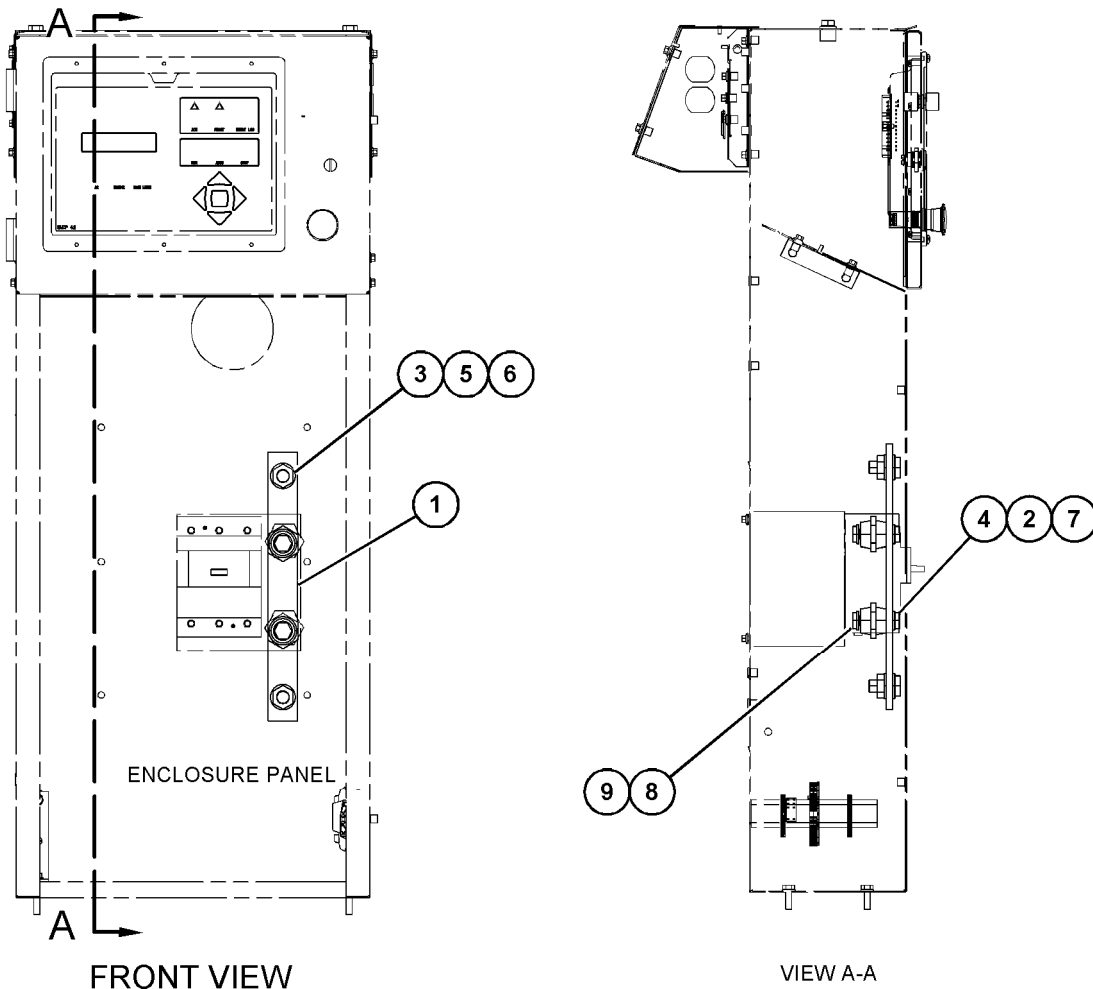
S/N: S341-UP  
AN ATTACHMENT

SMCS-4460

i07718665

NOTE	REF NO	GRAPHIC REF	PART NUMBER	QTY	PART NAME						SEE PAGE
					1	2	3	4	5	6 (PRODUCT LEVEL)	
	1	1	<b>265-2796</b>	1	BAR						
	2	1	<b>1H-3338</b>	2	LOCKWASHER						
M	3	1	<b>5C-7261</b>	2	NUT (M8X1.25-THD)						
M	4	1	<b>5C-9553</b>	2	BOLT (M6X1X16-MM)						
	5	1	<b>8T-4224</b>	4	WASHER-HARD (8.8X16X2-MM THK)						
M	6	1	<b>8T-4908</b>	2	BOLT (M8X1.25X25-MM)						
	7	1	<b>9X-8256</b>	4	WASHER (6.6X12X2-MM THK)						
	8	1	<b>169-4516</b>	2	INSULATOR						
M	9	1	<b>7X-2619</b>	2	BOLT (M6X1X10-MM)						

M - METRIC PART



GRAPHIC #1

<END>

g06436767

# ELECTRICAL AND STARTING SYSTEM

## 443-2214 BAR GP-GROUND

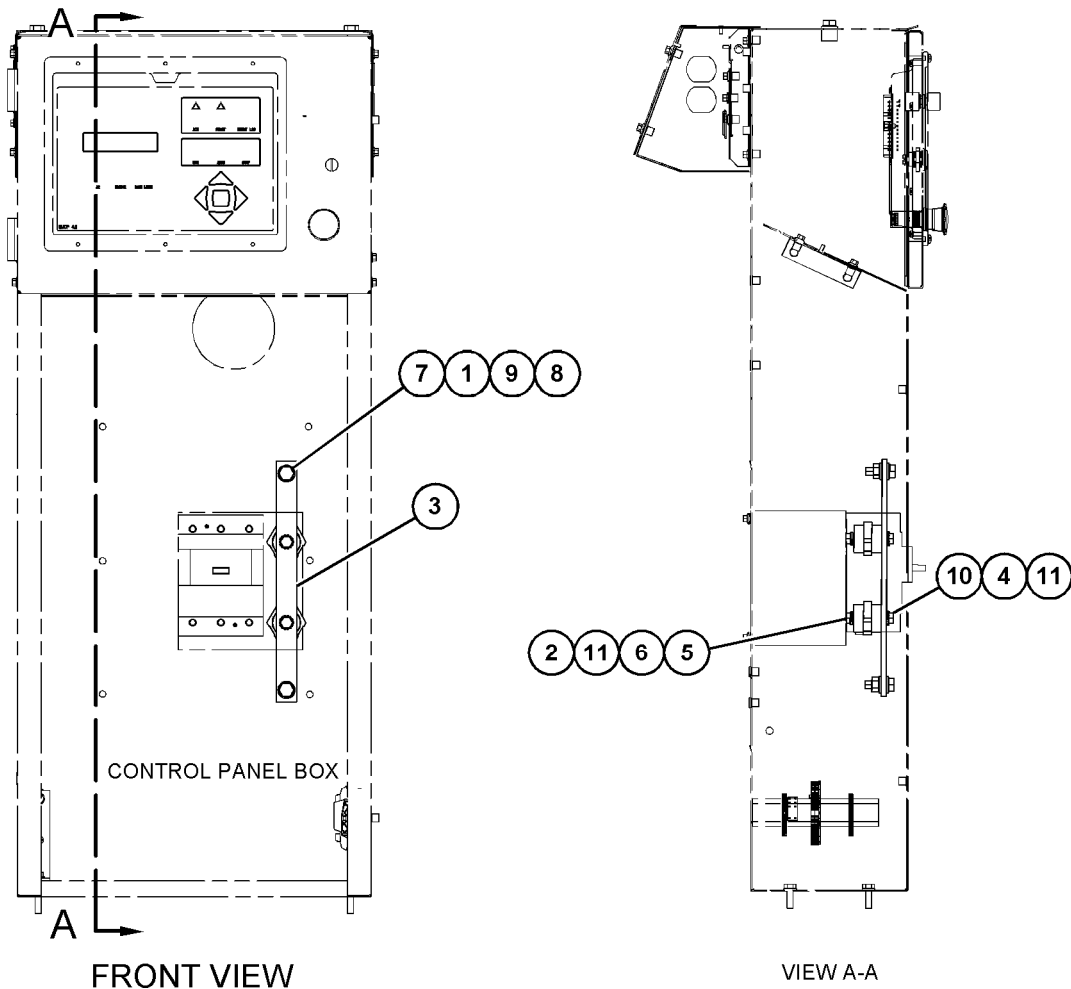
S/N: S341-UP  
AN ATTACHMENT

SMCS-4460

i07716534

NOTE	REF NO	GRAPHIC REF	PART NUMBER	QTY	PART NAME						SEE PAGE
					1	2	3	4	5	6 (PRODUCT LEVEL)	
	1	1	<b>124-7346</b>	4	LOCKWASHER						
	2	1	<b>143-4456</b>	2	INSULATOR						
	3	1	<b>263-9320</b>	1	PLATE						
	4	1	<b>4D-1326</b>	2	LOCKWASHER						
M	5	1	<b>6V-2316</b>	2	BOLT (M8X1.25X12-MM)						
	6	1	<b>7H-3937</b>	2	LOCKWASHER						
	7	1	<b>8T-4121</b>	4	WASHER-HARD (11X21X2.5-MM THK)						
M	8	1	<b>8T-4133</b>	2	NUT (M10X1.5-THD)						
M	9	1	<b>8T-4195</b>	2	BOLT (M10X1.5X30-MM)						
M	10	1	<b>8T-4200</b>	2	BOLT (M8X1.25X16-MM)						
	11	1	<b>8T-4224</b>	4	WASHER-HARD (8.8X16X2-MM THK)						

M - METRIC PART



GRAPHIC #1

<END>

g06436719

# ELECTRICAL AND STARTING SYSTEM

## 570-1141 BAR GP-GROUND

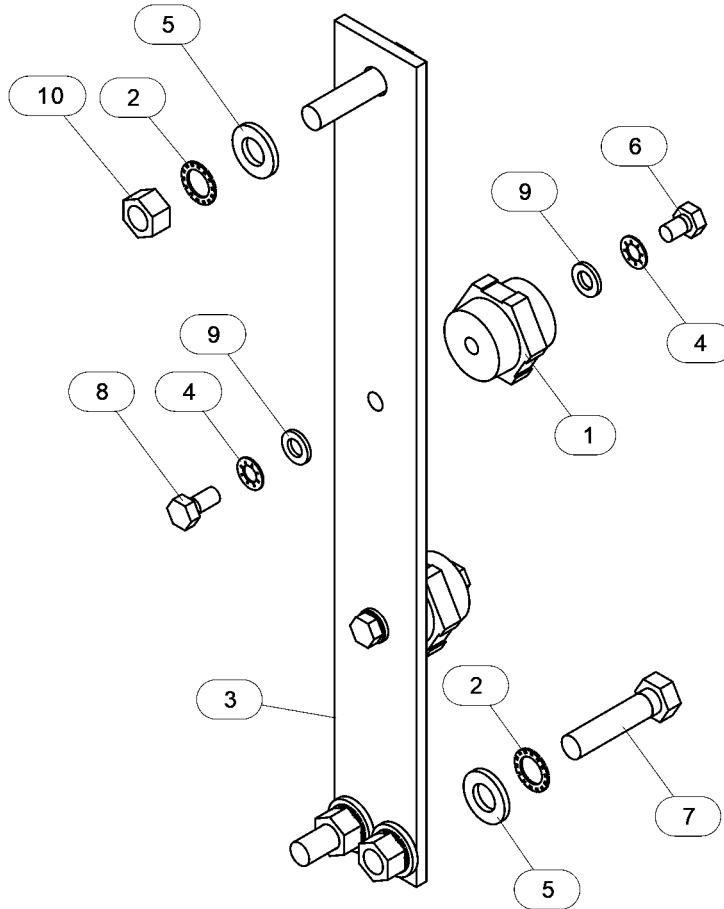
S/N: S341-UP  
600-AMPERE  
AN ATTACHMENT

SMCS-4460

i07834691

NOTE	REF NO	GRAPHIC REF	PART NUMBER	QTY	PART NAME						SEE PAGE
					1	2	3	4	5	6 (PRODUCT LEVEL)	
	1	1	<b>143-4456</b>	2	INSULATOR						
	2	1	<b>214-0910</b>	6	LOCKWASHER (EXTERNAL TOOTH)						
	3	1	<b>263-8720</b>	1	PLATE						
	4	1	<b>3F-9556</b>	4	LOCKWASHER (INTERNAL TOOTH)						
	5	1	<b>5P-8245</b>	6	WASHER-HARD (13.5X25.5X3-MM THK)						
M	6	1	<b>6V-2316</b>	2	BOLT (M8X1.25X12-MM)						
M	7	1	<b>8T-4194</b>	3	BOLT (M12X1.75X50-MM)						
M	8	1	<b>8T-4200</b>	2	BOLT (M8X1.25X16-MM)						
	9	1	<b>8T-4224</b>	4	WASHER-HARD (8.8X16X2-MM THK)						
M	10	1	<b>8T-4244</b>	3	NUT (M12X1.75-THD)						

M - METRIC PART



GRAPHIC #1

<END>

g06453260

# ELECTRICAL AND STARTING SYSTEM

## 570-1142 BAR GP-GROUND

S/N: S341-UP  
1200-AMPERE  
AN ATTACHMENT

SMCS-4460

i07834706

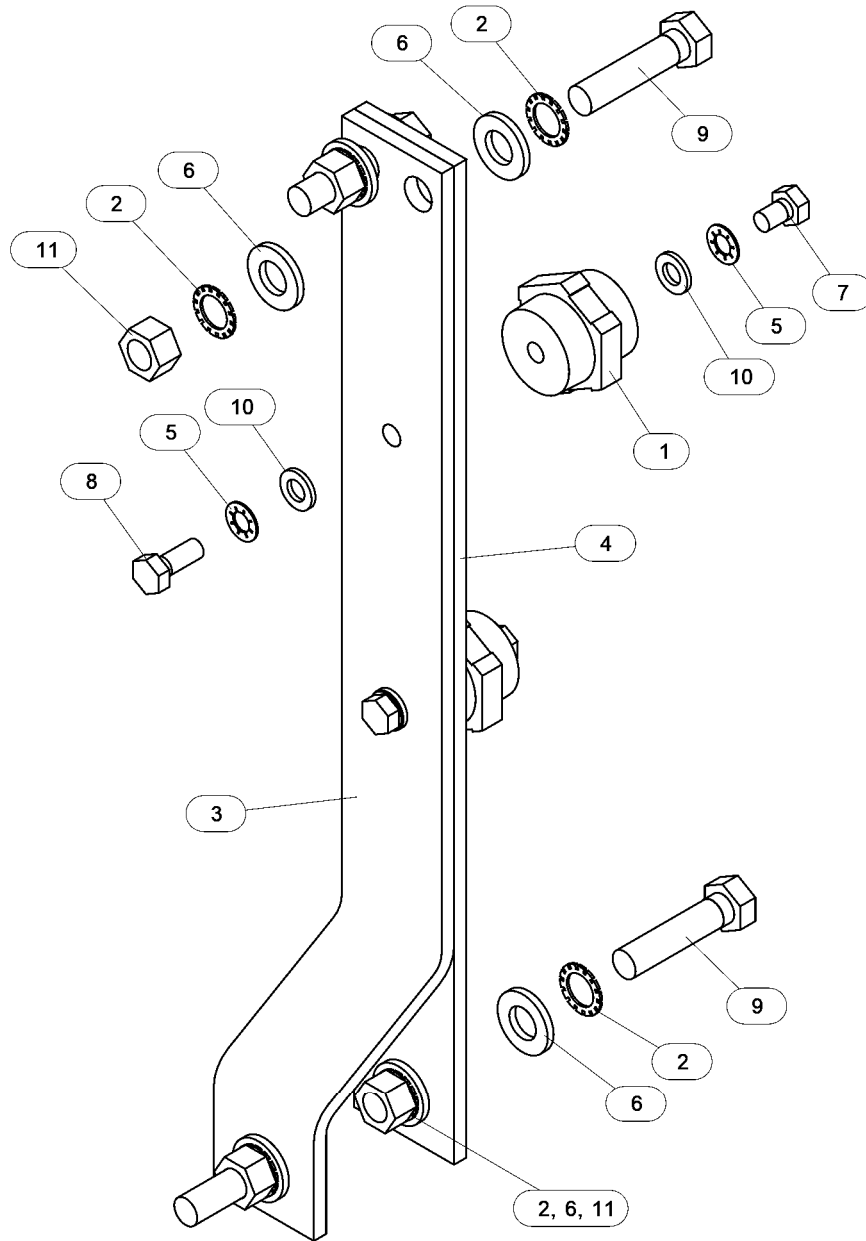
NOTE	REF NO	GRAPHIC REF	PART NUMBER	QTY	PART NAME						SEE PAGE
					1	2	3	4	5	6	
	1	1	<b>143-4456</b>	2	INSULATOR						
	2	1	<b>214-0910</b>	8	LOCKWASHER (EXTERNAL TOOTH)						
	3	1	<b>263-8719</b>	1	BAR-NEUTRAL						
	4	1	<b>263-8720</b>	1	PLATE						
	5	1	<b>3F-9556</b>	4	LOCKWASHER (INTERNAL TOOTH)						
	6	1	<b>5P-8245</b>	8	WASHER-HARD (13.5X25.5X3-MM THK)						
M	7	1	<b>6V-2316</b>	2	BOLT (M8X1.25X12-MM)						
M	8	1	<b>8T-4189</b>	2	BOLT (M8X1.25X20-MM)						
M	9	1	<b>8T-4194</b>	4	BOLT (M12X1.75X50-MM)						
	10	1	<b>8T-4224</b>	4	WASHER-HARD (8.8X16X2-MM THK)						
M	11	1	<b>8T-4244</b>	4	NUT (M12X1.75-THD)						

M - METRIC PART

# ELECTRICAL AND STARTING SYSTEM

570-1142 BAR GP-GROUND (contd.)

107834706



GRAPHIC #1

<END>

g06453122

# ELECTRICAL AND STARTING SYSTEM

## 570-7593 BAR GP-GROUND

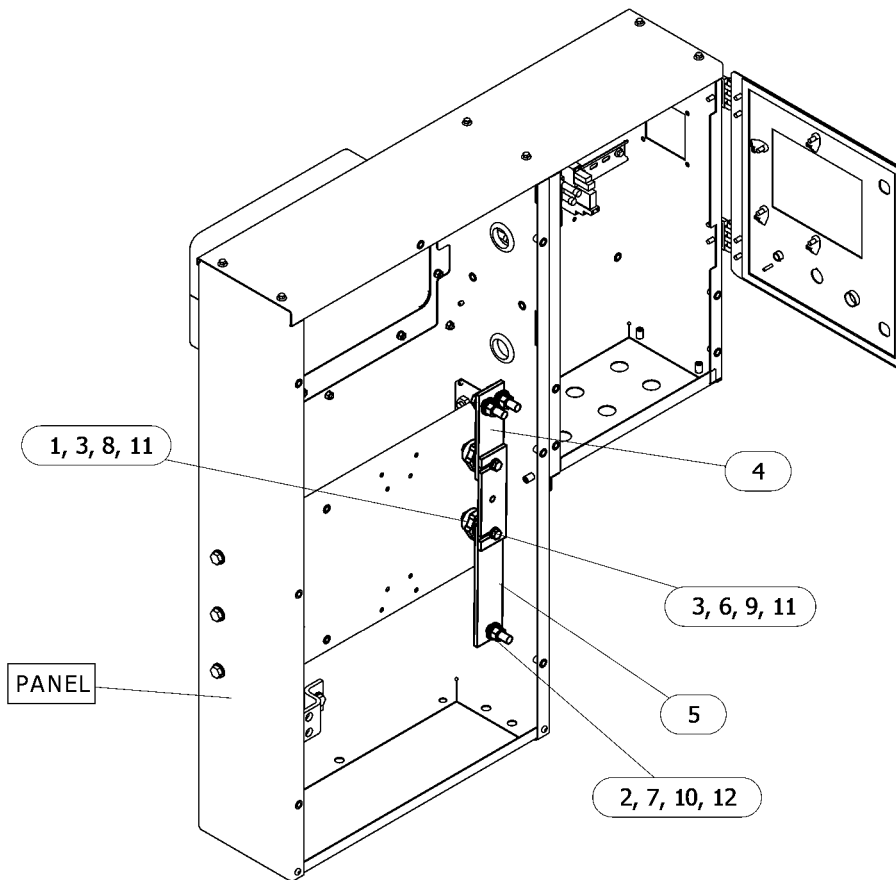
S/N: S341-UP  
600-AMPERE  
AN ATTACHMENT

SMCS-4460

i07835121

NOTE	REF NO	GRAPHIC REF	PART NUMBER	QTY	PART NAME						SEE PAGE
					1	2	3	4	5	6 (PRODUCT LEVEL)	
	1	1	<b>143-4456</b>	2	INSULATOR (LOW VOLTAGE)						
	2	1	<b>214-0910</b>	6	LOCKWASHER (EXTERNAL TOOTH)						
	3	1	<b>3F-9556</b>	4	LOCKWASHER (INTERNAL TOOTH)						
	4	1	<b>440-2729</b>	1	BAR (NEUTRAL)						
	5	1	<b>440-2730</b>	1	BAR (NEUTRAL)						
	6	1	<b>440-2732</b>	1	BAR (NEUTRAL)						
	7	1	<b>5P-8245</b>	6	WASHER-HARD (13.5X25.5X3-MM THK)						
M	8	1	<b>6V-2316</b>	2	BOLT (M8X1.25X12-MM)						
M	9	1	<b>8T-4189</b>	2	BOLT (M8X1.25X20-MM)						
M	10	1	<b>8T-4194</b>	3	BOLT (M12X1.75X50-MM)						
	11	1	<b>8T-4224</b>	4	WASHER-HARD (8.8X16X2-MM THK)						
M	12	1	<b>8T-4244</b>	3	NUT (M12X1.75-THD)						

M - METRIC PART



GRAPHIC #1

<END>

g06455684

# ELECTRICAL AND STARTING SYSTEM

## 570-7595 BAR GP-GROUND

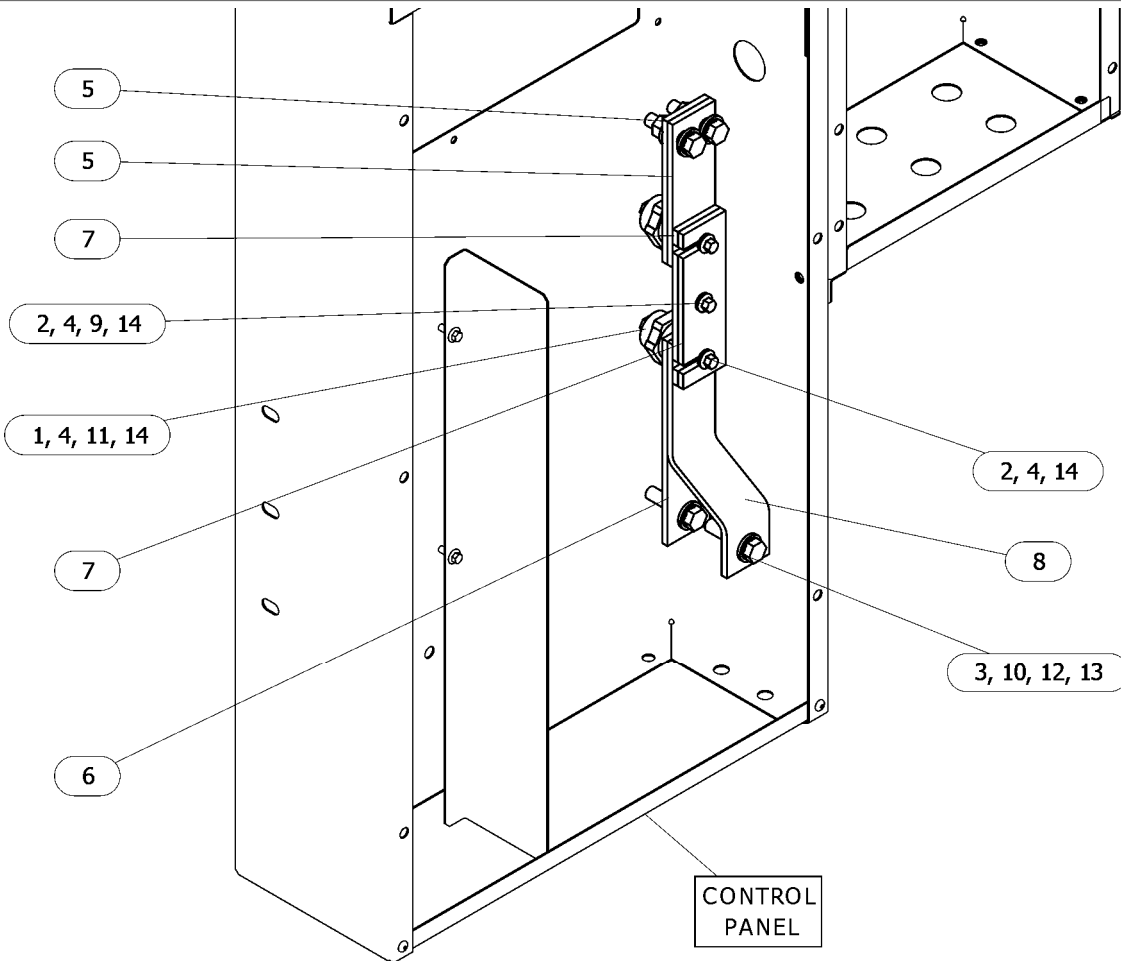
S/N: S341-UP  
1200-AMPERE  
AN ATTACHMENT

SMCS-4460

i07907048

NOTE	REF NO	GRAPHIC REF	PART NUMBER	QTY	PART NAME						SEE PAGE
					1	2	3	4	5	6 (PRODUCT LEVEL)	
	1	1	<b>143-4456</b>	2	INSULATOR						
M	2	1	<b>208-9284</b>	3	BOLT-FLANGE HEAD (M8X1.25X35-MM)						
	3	1	<b>214-0910</b>	8	LOCKWASHER (EXTERNAL TOOTH)						
	4	1	<b>3F-9556</b>	6	LOCKWASHER (INTERNAL TOOTH)						
	5	1	<b>440-2729</b>	2	BAR (NEUTRAL)						
	6	1	<b>440-2730</b>	1	BAR (NEUTRAL)						
	7	1	<b>440-2732</b>	2	BAR (NEUTRAL)						
	8	1	<b>440-2733</b>	1	BAR (NEUTRAL)						
M	9	1	<b>5C-7261</b>	1	NUT (M8X1.25-THD)						
	10	1	<b>5P-8245</b>	8	WASHER-HARD (13.5X25.5X3-MM THK)						
M	11	1	<b>6V-2316</b>	2	BOLT (M8X1.25X12-MM)						
M	12	1	<b>8T-4244</b>	4	NUT (M12X1.75-THD)						
M	13	1	<b>8T-4194</b>	4	BOLT (M12X1.75X50-MM)						
	14	1	<b>8T-4224</b>	6	WASHER-HARD (8.8X16X2-MM THK)						

M - METRIC PART



GRAPHIC #1

<END>

g06476106

# ELECTRICAL AND STARTING SYSTEM

## 115-2422 BATTERY GP

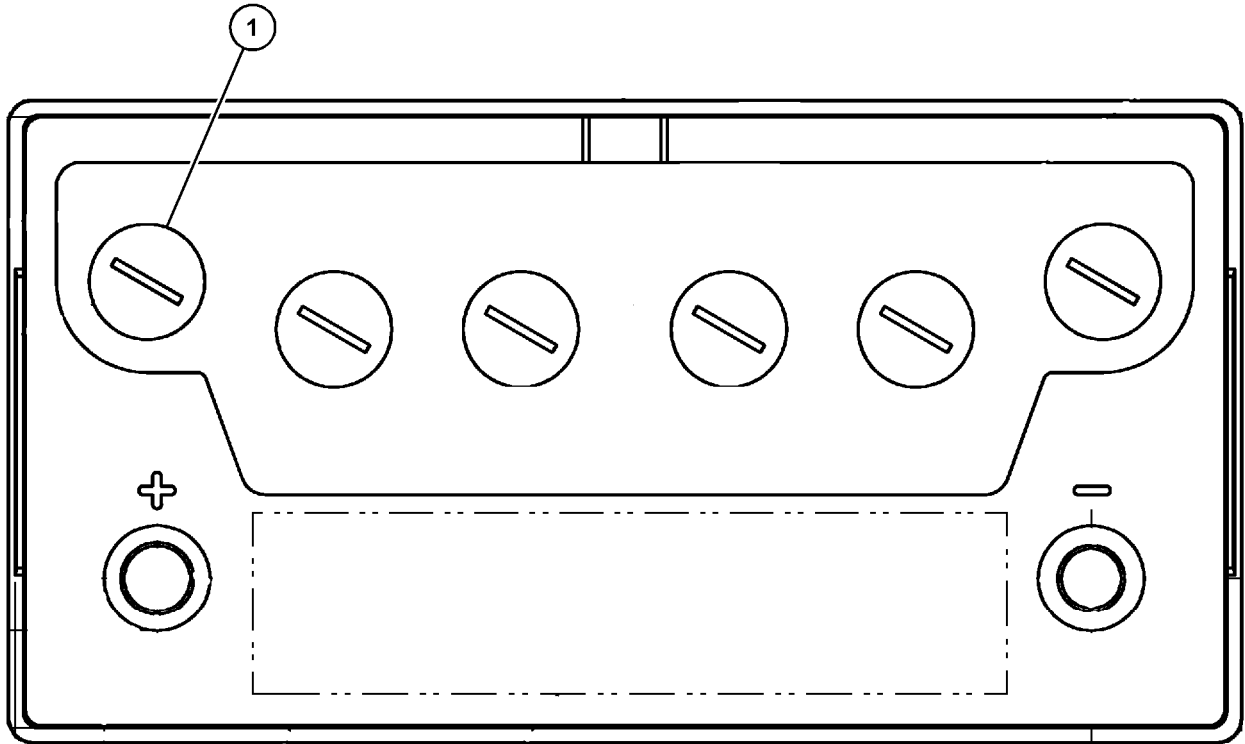
S/N: S341-UP

AN ATTACHMENT

SMCS-1401

i07090716

NOTE	REF NO	GRAPHIC REF	PART NUMBER	QTY	PART NAME						SEE PAGE
					1	2	3	4	5	6 (PRODUCT LEVEL)	
	1	1	<b>123-1373</b>	6	CAP AS-FILLER (7/8-9-THD)						



GRAPHIC #1

<END>

g06222248



# ELECTRICAL AND STARTING SYSTEM

## 153-5710 BATTERY GP

S/N: S341-UP

AN ATTACHMENT

SMCS-1401

i06892032

NOTE	PART NUMBER	QTY	PART NAME						SEE PAGE
			1	2	3	4	5	6 (PRODUCT LEVEL)	
	<b>123-1373</b>	6	CAP AS-FILLER (7/8-9-THD)						
	<b>461-5232</b>	6	CAP AS-FILLER						
<END>									

# ELECTRICAL AND STARTING SYSTEM

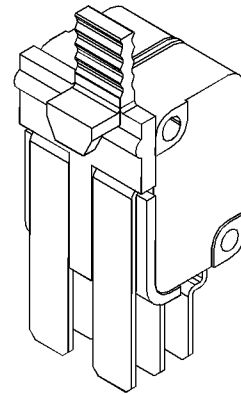
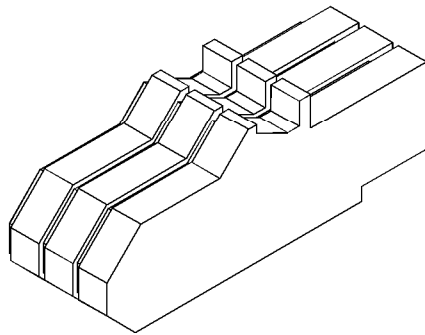
## 418-3950 BLOCK AS-TERMINAL

S/N: S341-UP  
AN ATTACHMENT

SMCS-4460

i06949513

NOTE	REF NO	GRAPHIC REF	PART NUMBER	QTY	PART NAME						SEE PAGE
					1	2	3	4	5	6 (PRODUCT LEVEL)	
(NO SERVICED PARTS)											



GRAPHIC #1

<END>

g03430449

# ELECTRICAL AND STARTING SYSTEM

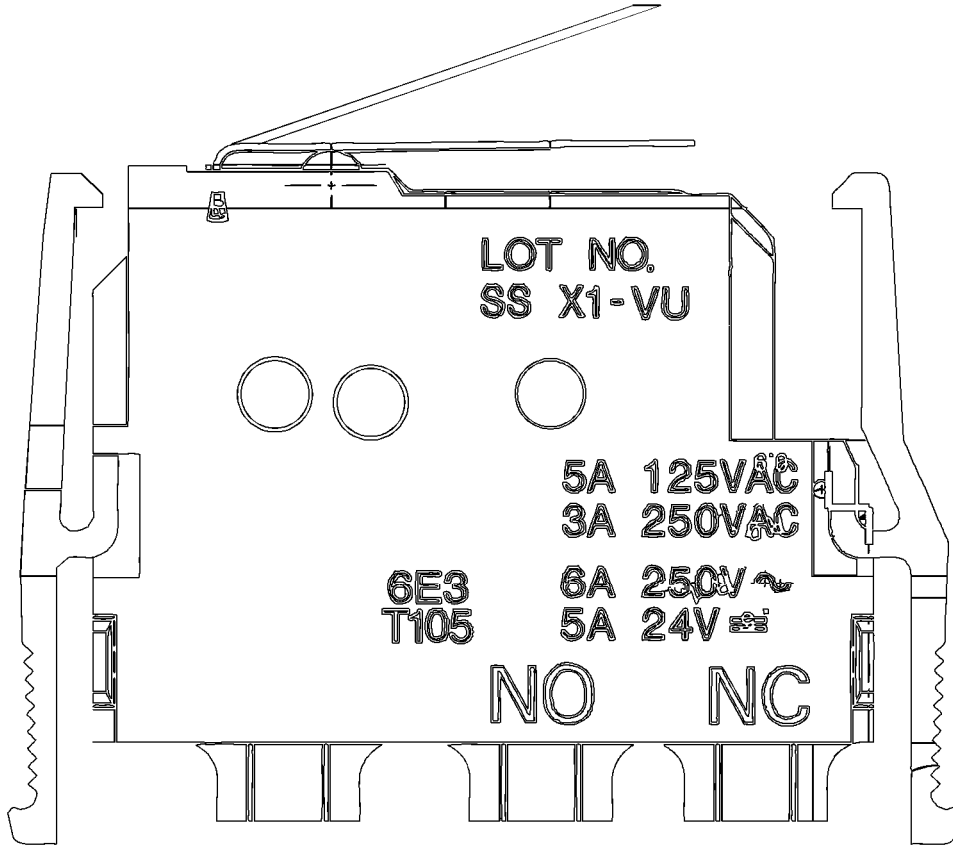
## 580-2209 BLOCK AS-TERMINAL

S/N: S341-UP  
AN ATTACHMENT

SMCS-4460

i07843999

NOTE	REF NO	GRAPHIC REF	PART NUMBER	QTY	PART NAME						SEE PAGE
					1	2	3	4	5	6 (PRODUCT LEVEL)	
(NO SERVICED PARTS)											



GRAPHIC #1

<END>

g06457249

# ELECTRICAL AND STARTING SYSTEM

## 577-8559 BOX GP-CONNECTION

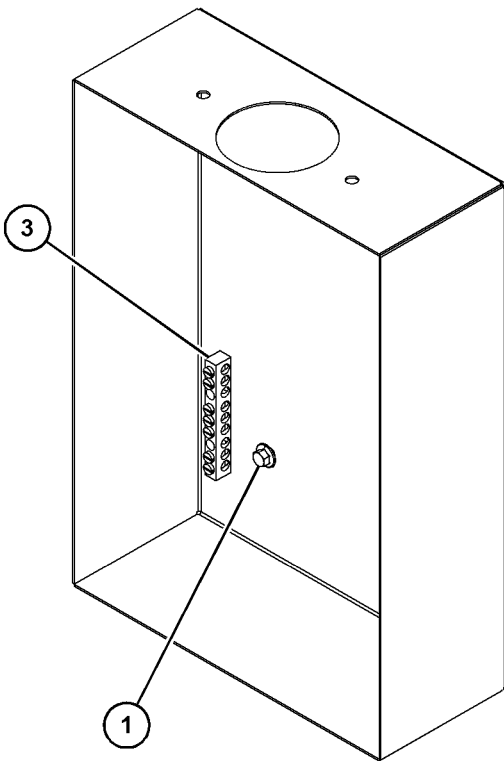
S/N: S341-UP  
AN ATTACHMENT

SMCS-4460

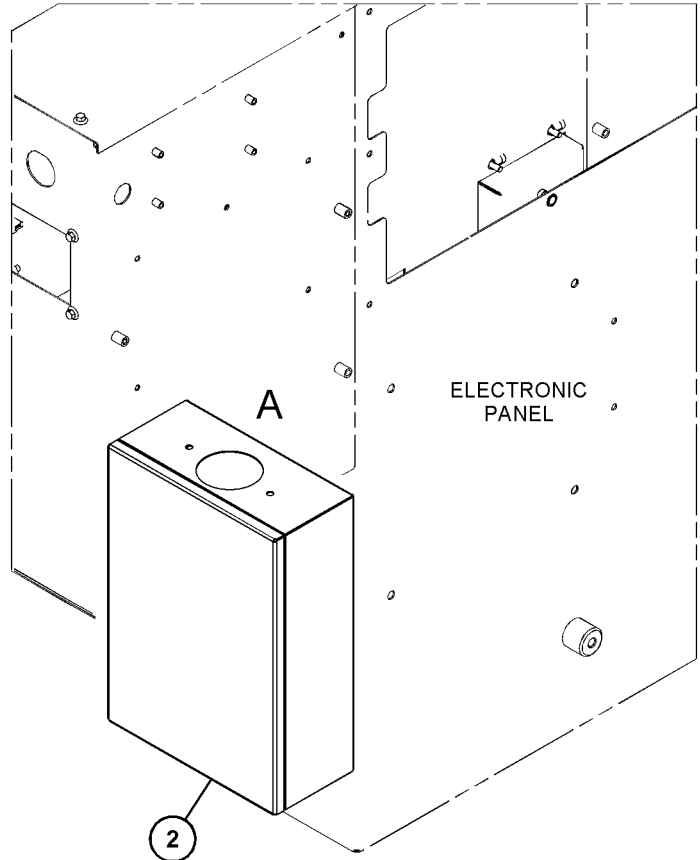
i07852242

NOTE	REF NO	GRAPHIC REF	PART NUMBER	QTY	PART NAME						SEE PAGE
					1	2	3	4	5	6 (PRODUCT LEVEL)	
M	1	1	<b>106-8916</b>	3	BOLT (M6X16-MM)						
	2	1	<b>575-7172</b>	1	PANEL AS						
	3	1	<b>577-8558</b>	1	BAR AS						

M - METRIC PART



VIEW OF AREA A  
(PARTS REMOVED FOR CLARITY)



GRAPHIC #1

<END>

g06460704

# ELECTRICAL AND STARTING SYSTEM

## 420-1482 CABLE AS

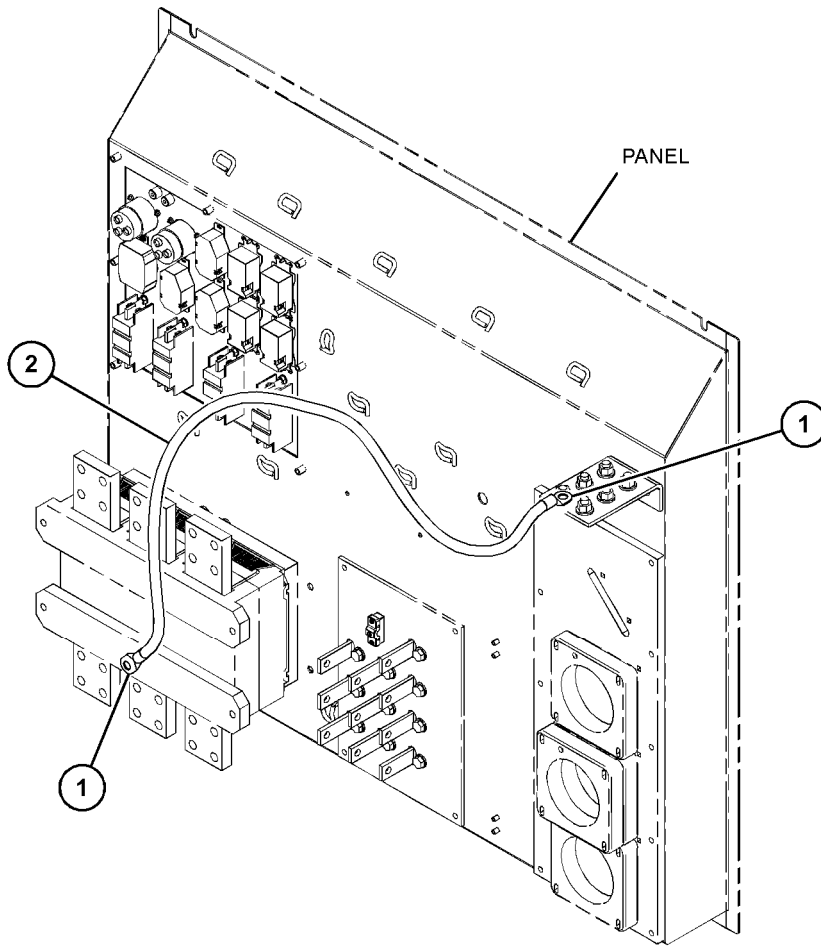
S/N: S341-UP  
GROUND  
AN ATTACHMENT

SMCS-1408

i07876773

NOTE	REF NO	GRAPHIC REF	PART NUMBER	QTY	PART NAME						SEE PAGE
					1	2	3	4	5	6 (PRODUCT LEVEL)	
	1	1	<b>5P-2600</b>	2	RING-TERMINAL (000-GA, 1/2-IN SCREW)						
E	2	1	<b>188-3111</b>		CABLE (000-GA, GREEN, YELLOW STRIPE) (127-CM)						

E - ORDER BY THE CENTIMETER



GRAPHIC #1

<END>

g06467186

# ELECTRICAL AND STARTING SYSTEM

## 417-5183 CIRCUIT BREAKER AS

S/N: S341-UP

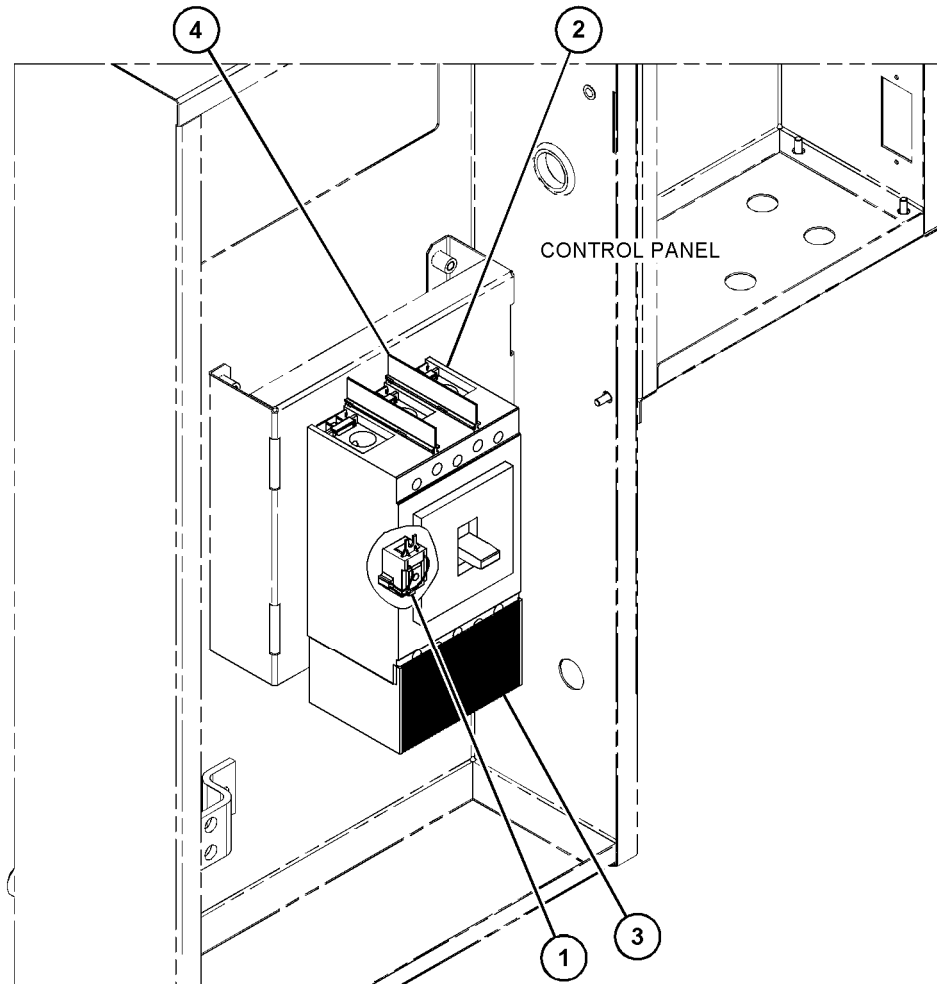
400-AMPERE

PART OF 569-6664 CIRCUIT BREAKER GP  
AN ATTACHMENT

SMCS-1420, 4461

i07868854

NOTE	REF NO	GRAPHIC REF	PART NUMBER	QTY	PART NAME						SEE PAGE
					1	2	3	4	5	6 (PRODUCT LEVEL)	
	1	1	<b>262-1554</b>	1	SHUNT-TRIP						
	2	1	<b>361-1736</b>	1	CIRCUIT BREAKER AS (400-AMPERE)						
		1	<b>347-8382</b>	1	KIT-FASTENER						
					(INCLUDES SCREWS, WASHERS, & NUTS)						
	3	1	<b>374-5284</b>	1	BLOCK AS-TERMINAL						
	4	1	<b>440-5828</b>	1	LUG						



GRAPHIC #1

<END>

g06465194

# ELECTRICAL AND STARTING SYSTEM

## 569-6664 CIRCUIT BREAKER GP

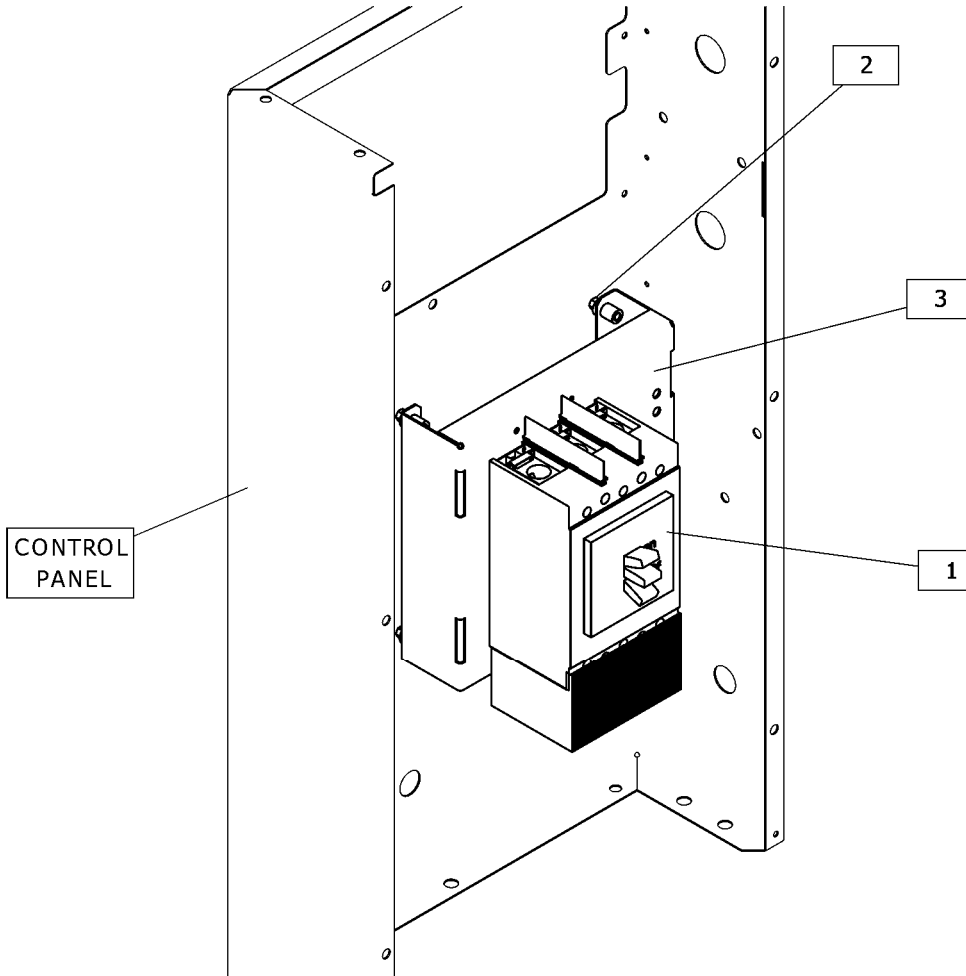
S/N: S341-UP  
500-AMPERE  
AN ATTACHMENT

SMCS-1420, 4461

i07868159

NOTE	REF NO	GRAPHIC REF	PART NUMBER	QTY	PART NAME						SEE PAGE
					1	2	3	4	5	6 (PRODUCT LEVEL)	
Y	1	1	<b>417-5183</b>	1	CIRCUIT BREAKER AS (400-AMPERE)						145
M	2	1	<b>376-1354</b>	4	BOLT-FLANGE HEAD (M8X1.25X22-MM)						
	3	1	<b>569-6147</b>	1	PLATE AS						
M		1	<b>180-3748</b>	4	INSERT-THREADED (M8X1.25-THD)						

M - METRIC PART  
Y - SEPARATE ILLUSTRATION



GRAPHIC #1

<END>

g06464939

# ELECTRICAL AND STARTING SYSTEM

## 569-6665 CIRCUIT BREAKER GP

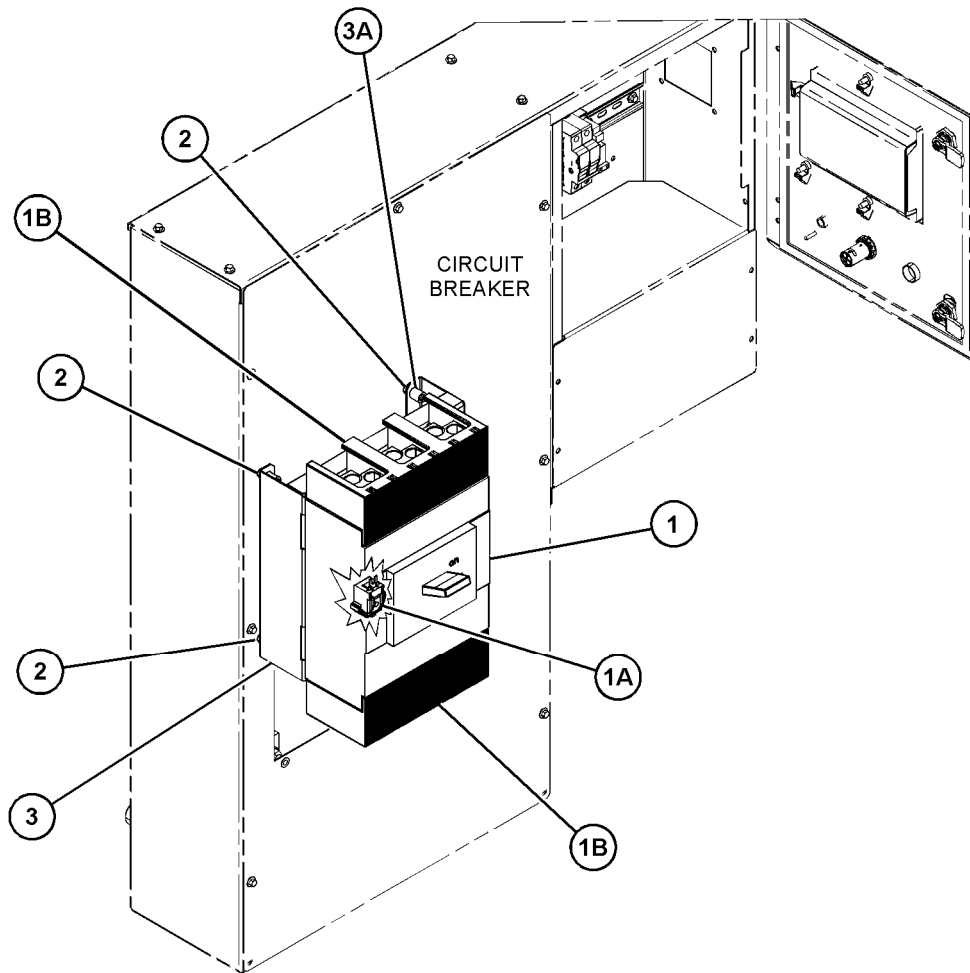
S/N: S341-UP  
800-AMPERE  
AN ATTACHMENT

SMCS-1420, 4461

i07834127

NOTE	REF NO	GRAPHIC REF	PART NUMBER	QTY	PART NAME						SEE PAGE
					1	2	3	4	5	6 (PRODUCT LEVEL)	
	1	1	<b>417-5184</b>	1	CIRCUIT BREAKER AS (800-AMPERE)						
	1A	1	<b>262-1554</b>	1	SHUNT-TRIP						
	1B	1	<b>374-5285</b>	2	BLOCK AS-TERMINAL						
M	2	1	<b>376-1354</b>	4	BOLT-FLANGE HEAD (M8X1.25X22-MM)						
	3	1	<b>569-6147</b>	1	PLATE AS						
M		1	<b>180-3748</b>	4	INSERT-THREADED (M8X1.25-THD)						

M - METRIC PART



GRAPHIC #1

<END>

g06453952



# ELECTRICAL AND STARTING SYSTEM

## 569-6666 CIRCUIT BREAKER GP

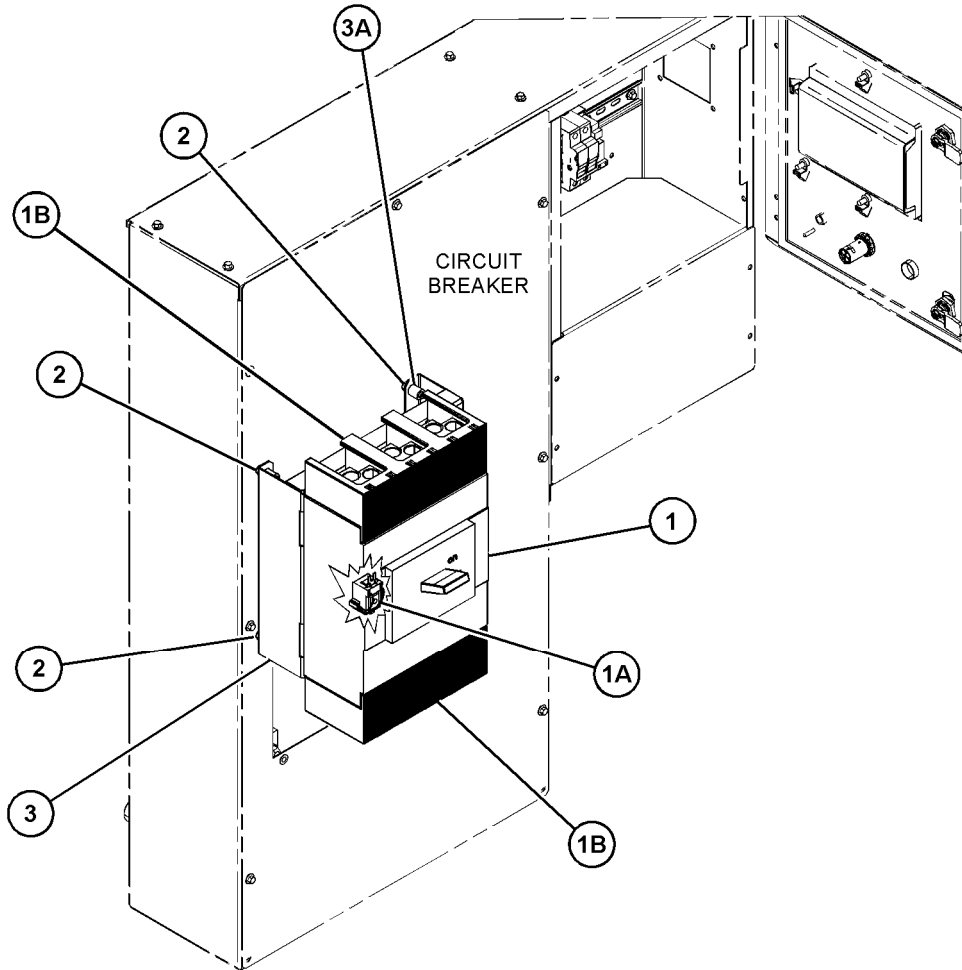
S/N: S341-UP  
800-AMPERE  
AN ATTACHMENT

SMCS-1420, 4461

i07834417

NOTE	REF NO	GRAPHIC REF	PART NUMBER	QTY	PART NAME						SEE PAGE
					1	2	3	4	5	6 (PRODUCT LEVEL)	
	1	1	<b>417-5185</b>	1	CIRCUIT BREAKER AS (800-AMPERE)						
	1A	1	<b>262-1554</b>	1	SHUNT-TRIP						
	1B	1	<b>374-5285</b>	2	BLOCK AS-TERMINAL						
M	2	1	<b>376-1354</b>	4	BOLT-FLANGE HEAD (M8X1.25X22-MM)						
	3	1	<b>569-6147</b>	1	PLATE AS						
M		1	<b>180-3748</b>	4	INSERT-THREADED (M8X1.25-THD)						

M - METRIC PART



GRAPHIC #1

<END>

g06453952

# ELECTRICAL AND STARTING SYSTEM

## 569-6667 CIRCUIT BREAKER GP

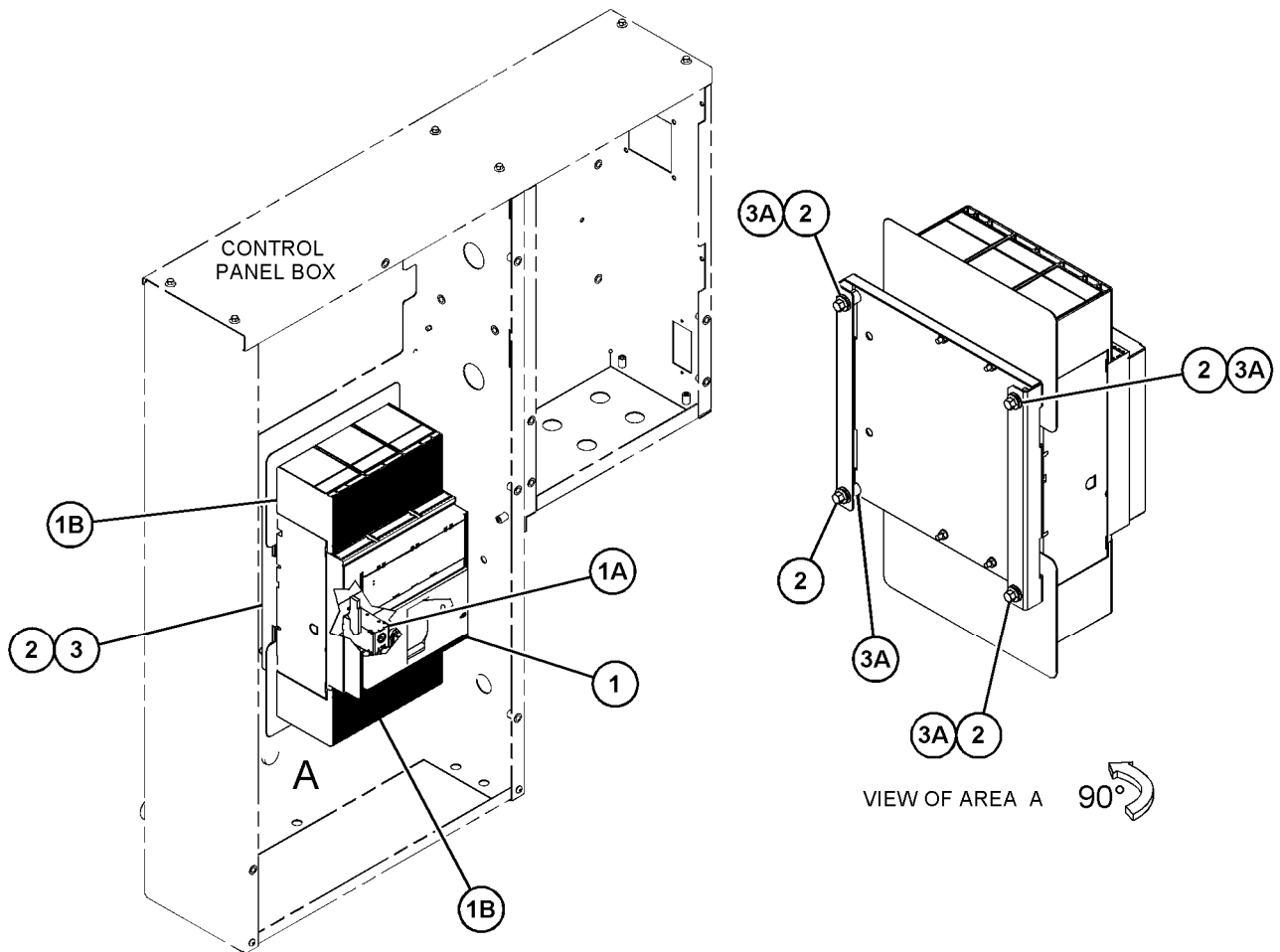
S/N: S341-UP  
1200-AMPERE  
AN ATTACHMENT

SMCS-1420, 4461

i07834493

NOTE	REF NO	GRAPHIC REF	PART NUMBER	QTY	PART NAME						SEE PAGE
					1	2	3	4	5	6 (PRODUCT LEVEL)	
	1	1	<b>417-5186</b>	1	CIRCUIT BREAKER AS (1200-AMPERE)						
	1A	1	<b>347-8367</b>	1	SHUNT-TRIP (OPEN)						
	1B	1	<b>418-8586</b>	2	LUG						
M	2	1	<b>376-1354</b>	4	BOLT-FLANGE HEAD (M8X1.25X22-MM)						
	3	1	<b>569-3842</b>	1	PLATE AS						
M	3A	1	<b>180-3748</b>	4	INSERT-THREADED (M8X1.25-THD)						

M - METRIC PART



GRAPHIC #1

<END>

g06453536

# ELECTRICAL AND STARTING SYSTEM

## 569-6668 CIRCUIT BREAKER GP

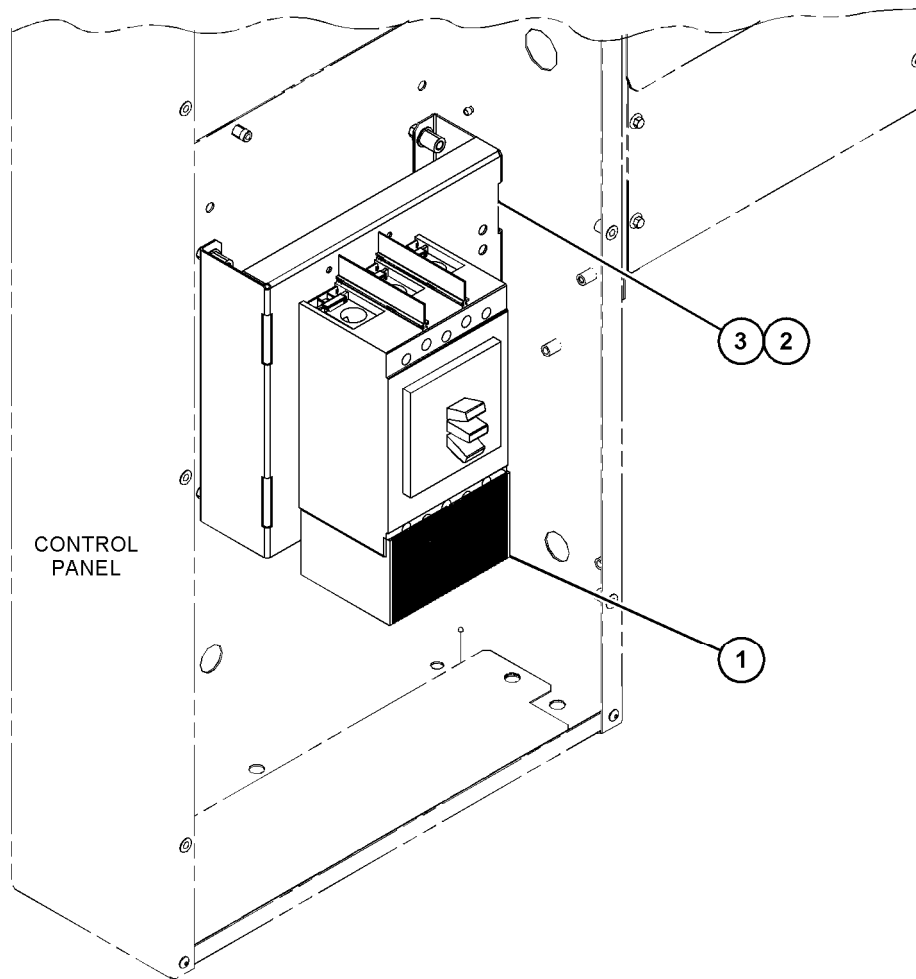
S/N: S341-UP  
400-AMPERE  
AN ATTACHMENT

SMCS-1420, 4461

i07868397

NOTE	REF NO	GRAPHIC REF	PART NUMBER	QTY	PART NAME						SEE PAGE
					1	2	3	4	5	6 (PRODUCT LEVEL)	
	1	1	<b>481-4310</b>	1	CIRCUIT BREAKER AS (400-AMPERE)						
		1	<b>262-1554</b>	1	SHUNT-TRIP						
		1	<b>374-5284</b>	1	BLOCK AS-TERMINAL						
		1	<b>440-5828</b>	1	LUG						
M	2	1	<b>376-1354</b>	4	BOLT-FLANGE HEAD (M8X1.25X22-MM)						
	3	1	<b>569-6147</b>	1	PLATE AS						
M		1	<b>180-3748</b>	4	INSERT-THREADED (M8X1.25-THD)						

M - METRIC PART



GRAPHIC #1

<END>

g06465308

# ELECTRICAL AND STARTING SYSTEM

## 569-6669 CIRCUIT BREAKER GP

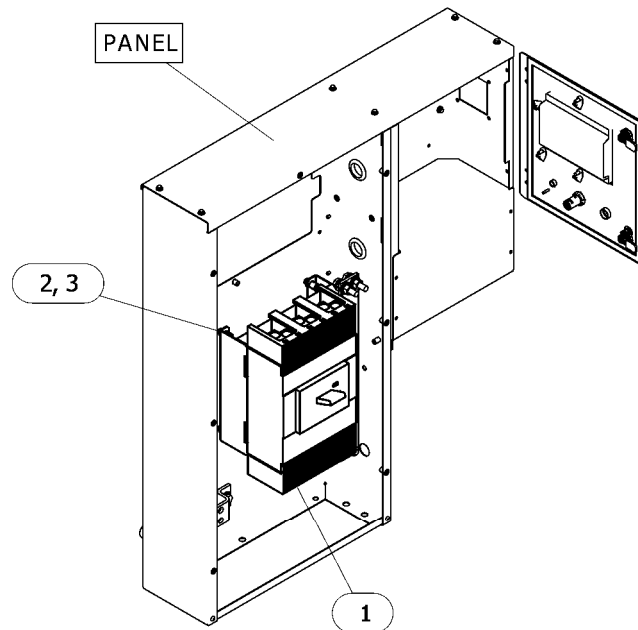
S/N: S341-UP  
600-AMPERE  
AN ATTACHMENT

SMCS-1420, 4461

i07834527

NOTE	REF NO	GRAPHIC REF	PART NUMBER	QTY	PART NAME						SEE PAGE
					1	2	3	4	5	6 (PRODUCT LEVEL)	
	1	1	<b>473-7103</b>	1	CIRCUIT BREAKER AS (600-AMPERE)						
		1	<b>262-1554</b>	1	SHUNT-TRIP						
		1	<b>374-5285</b>	2	BLOCK AS-TERMINAL						
M	2	1	<b>376-1354</b>	4	BOLT-FLANGE HEAD (M8X1.25X22-MM)						
	3	1	<b>569-6147</b>	1	PLATE AS						
M		1	<b>180-3748</b>	4	INSERT-THREADED (M8X1.25-THD)						

M - METRIC PART



GRAPHIC #1

<END>

g06454189

# ELECTRICAL AND STARTING SYSTEM

## 569-6670 CIRCUIT BREAKER GP

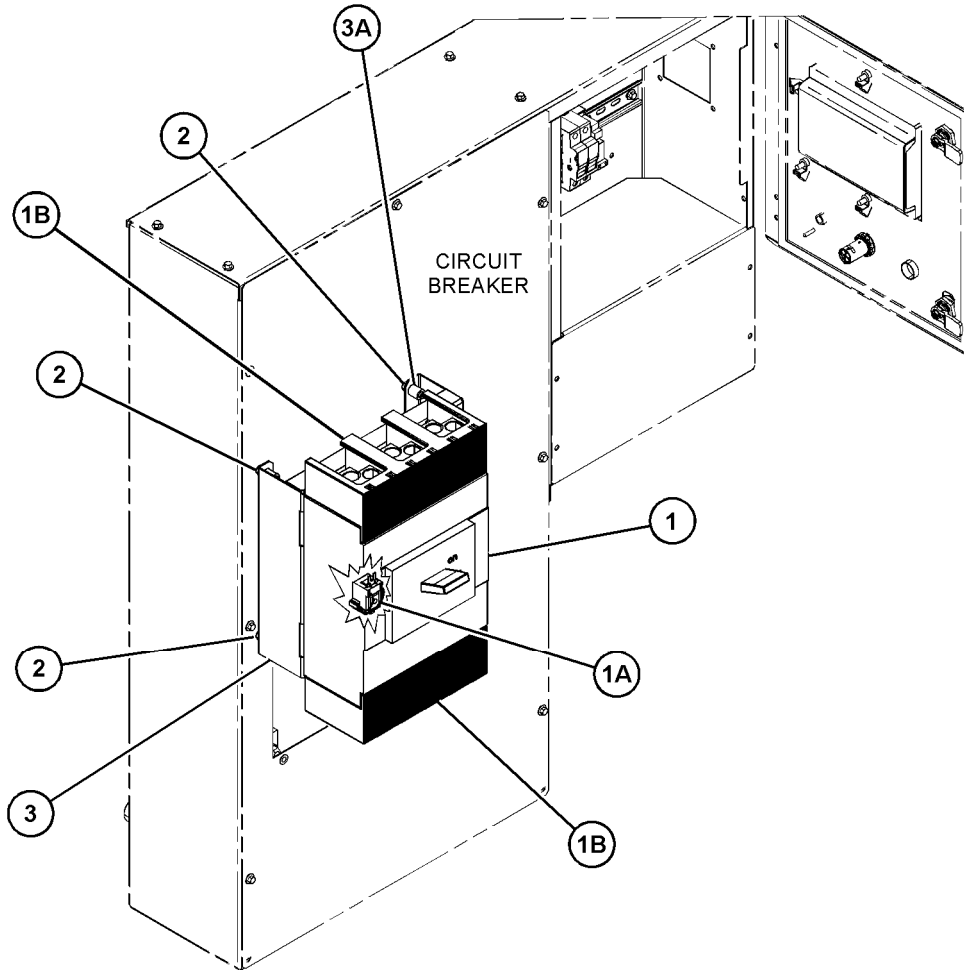
S/N: S341-UP  
800-AMPERE  
AN ATTACHMENT

SMCS-1420, 4461

i07834616

NOTE	REF NO	GRAPHIC REF	PART NUMBER	QTY	PART NAME						SEE PAGE
					1	2	3	4	5	6 (PRODUCT LEVEL)	
	1	1	<b>475-3417</b>	1	CIRCUIT BREAKER AS (800-AMPERE)						
	1A	1	<b>262-1554</b>	1	SHUNT-TRIP						
	1B	1	<b>374-5285</b>	2	BLOCK AS-TERMINAL						
M	2	1	<b>376-1354</b>	4	BOLT-FLANGE HEAD (M8X1.25X22-MM)						
	3	1	<b>569-6147</b>	1	PLATE AS						
M		1	<b>180-3748</b>	4	INSERT-THREADED (M8X1.25-THD)						

M - METRIC PART



GRAPHIC #1

<END>

g06453952

# ELECTRICAL AND STARTING SYSTEM

## 569-6671 CIRCUIT BREAKER GP

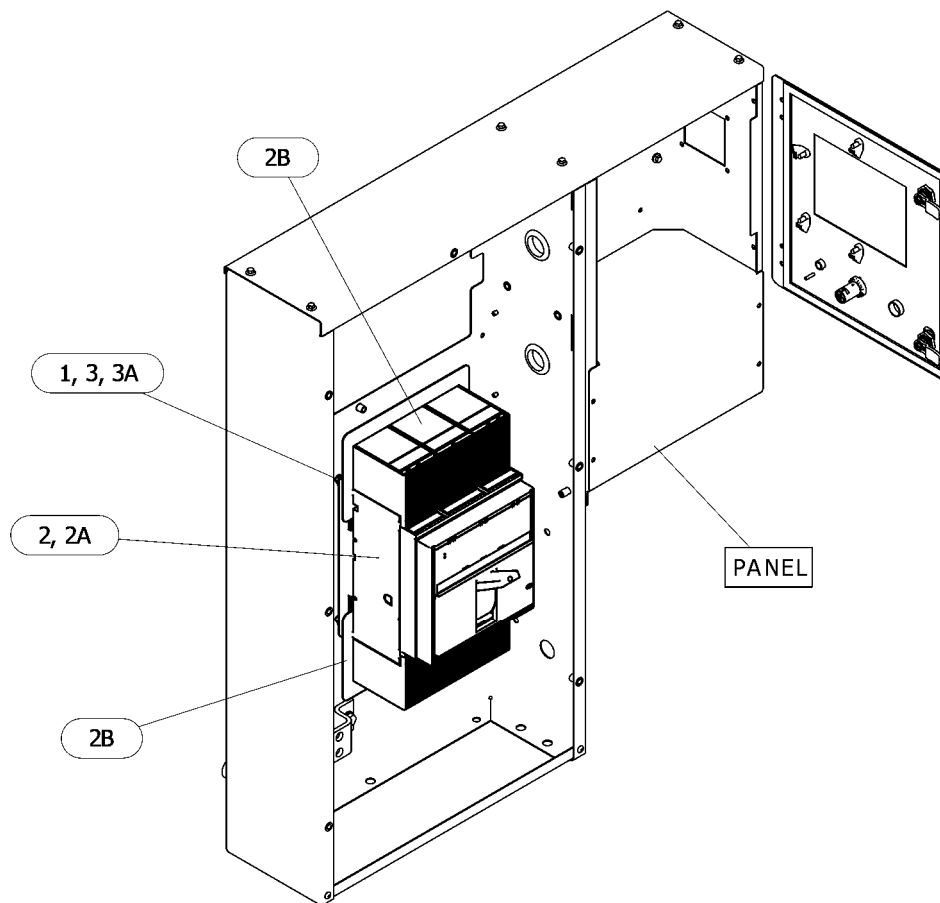
S/N: S341-UP  
1200-AMPERE  
AN ATTACHMENT

SMCS-1420, 4461

i07834624

NOTE	REF NO	GRAPHIC REF	PART NUMBER	QTY	PART NAME						SEE PAGE
					1	2	3	4	5	6 (PRODUCT LEVEL)	
M	1	1	<b>376-1354</b>	4	BOLT-FLANGE HEAD (M8X1.25X22-MM)						
	2	1	<b>476-0359</b>	1	CIRCUIT BREAKER AS (1200-AMPERE)						
	2A	1	<b>347-8367</b>	1	SHUNT-TRIP (OPEN)						
	2B	1	<b>418-8586</b>	2	LUG						
	3	1	<b>569-3842</b>	1	PLATE AS						
M	3A	1	<b>180-3748</b>	4	INSERT-THREADED (M8X1.25-THD)						

M - METRIC PART



GRAPHIC #1

<END>

g06455271

# ELECTRICAL AND STARTING SYSTEM

## 576-1488 CIRCUIT BREAKER GP

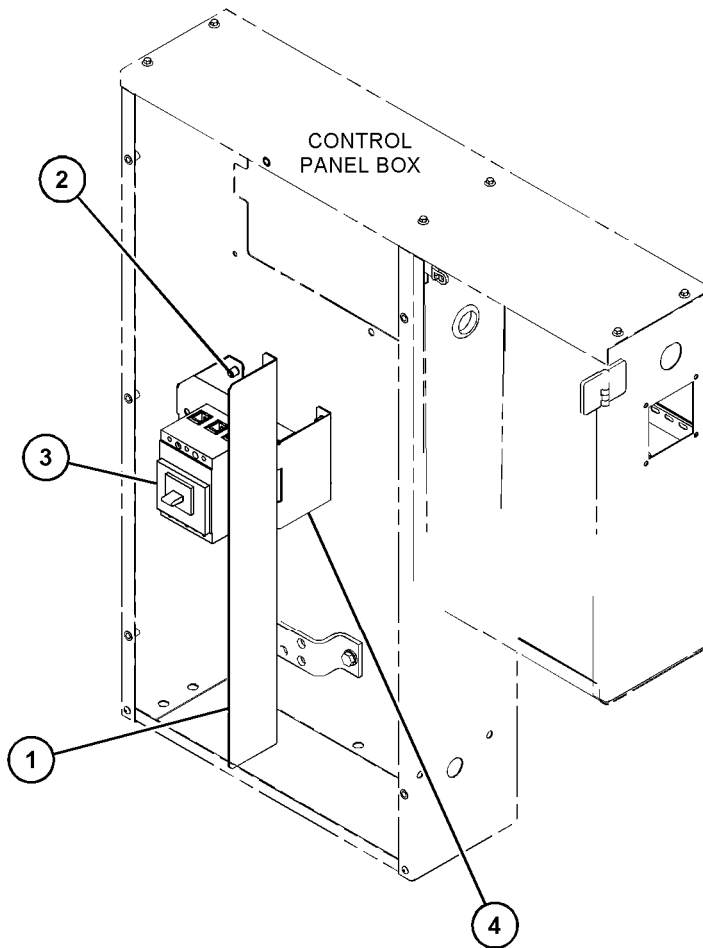
S/N: S341-UP  
100-AMPERE  
AN ATTACHMENT

SMCS-1420, 4461

i07861890

NOTE	REF NO	GRAPHIC REF	PART NUMBER	QTY	PART NAME						SEE PAGE
					1	2	3	4	5	6 (PRODUCT LEVEL)	
	1	1	<b>570-6962</b>	1	PANEL						
M	2	1	<b>235-4451</b>	6	BOLT-FLANGE HEAD (M6X1X16-MM)						
	3	1	<b>576-1484</b>	1	CIRCUIT BREAKER GP (100-AMPERE)						
		1	<b>576-1478</b>	1	CIRCUIT BREAKER AS (100-AMPERE)						
		1	<b>576-1482</b>	2	TERMINAL						
	4	1	<b>577-7486</b>	1	BRACKET AS						
M		1	<b>3E-4304</b>	6	INSERT-THREADED (M6X1-THD)						

M - METRIC PART



GRAPHIC #1

<END>

g06467156

# ELECTRICAL AND STARTING SYSTEM

## 576-1489 CIRCUIT BREAKER GP

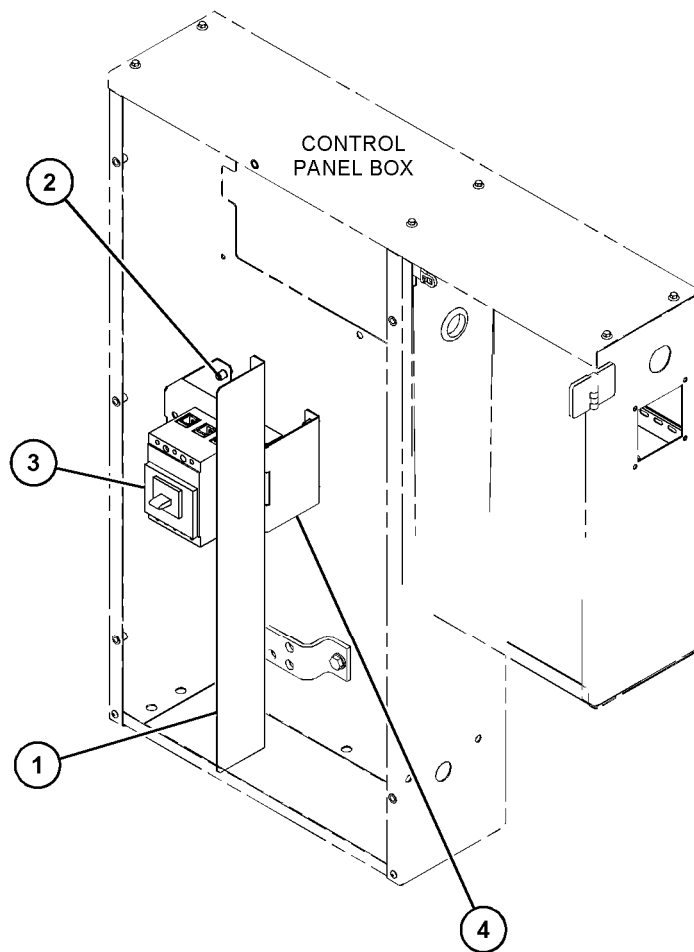
S/N: S341-UP  
100-AMPERE  
AN ATTACHMENT

SMCS-1420, 4461

i07861904

NOTE	REF NO	GRAPHIC REF	PART NUMBER	QTY	PART NAME						SEE PAGE
					1	2	3	4	5	6 (PRODUCT LEVEL)	
	1	1	<b>570-6962</b>	1	PANEL						
M	2	1	<b>235-4451</b>	6	BOLT-FLANGE HEAD (M6X1X16-MM)						
	3	1	<b>576-1485</b>	1	CIRCUIT BREAKER GP (100-AMPERE)						
		1	<b>576-1479</b>	1	CIRCUIT BREAKER AS (100-AMPERE)						
		1	<b>576-1482</b>	2	TERMINAL						
	4	1	<b>577-7486</b>	1	BRACKET AS						
M		1	<b>3E-4304</b>	6	INSERT-THREADED (M6X1-THD)						

M - METRIC PART



GRAPHIC #1

<END>

g06467149



# ELECTRICAL AND STARTING SYSTEM

## 576-1490 CIRCUIT BREAKER GP

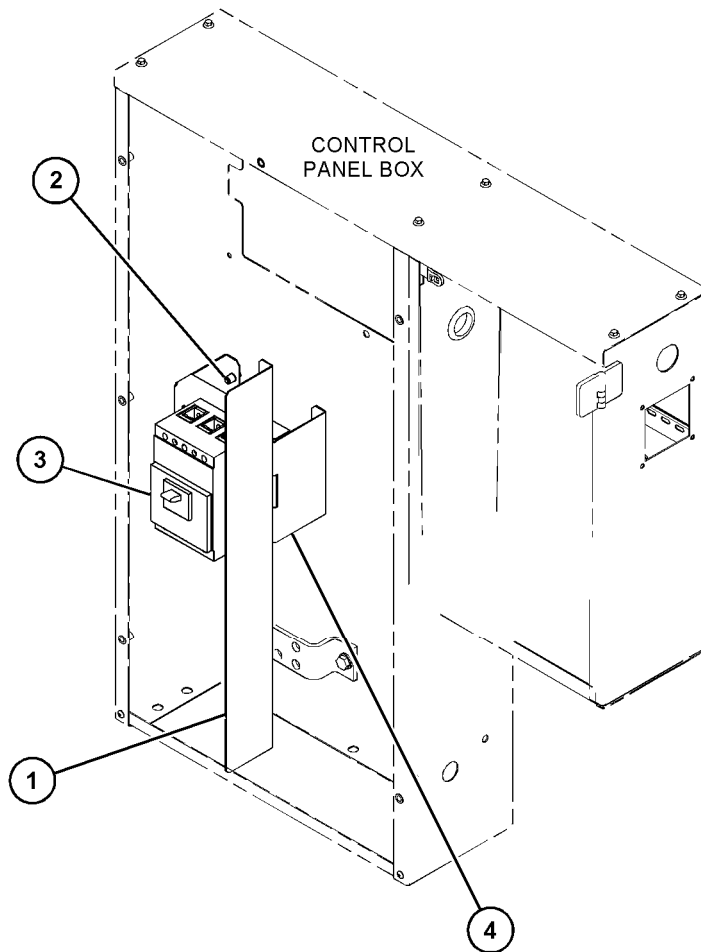
S/N: S341-UP  
250-AMPERE  
AN ATTACHMENT

SMCS-1420, 4461

i07861980

NOTE	REF NO	GRAPHIC REF	PART NUMBER	QTY	PART NAME						SEE PAGE
					1	2	3	4	5	6 (PRODUCT LEVEL)	
	1	1	<b>570-6962</b>	1	PANEL						
M	2	1	<b>235-4451</b>	6	BOLT-FLANGE HEAD (M6X1X16-MM)						
	3	1	<b>576-1486</b>	1	CIRCUIT BREAKER GP (250-AMPERE)						
		1	<b>576-1480</b>	1	CIRCUIT BREAKER AS (250-AMPERE)						
		1	<b>576-1483</b>	2	TERMINAL						
	4	1	<b>577-7506</b>	1	BRACKET AS						
M		1	<b>3E-4304</b>	6	INSERT-THREADED (M6X1-THD)						

M - METRIC PART



GRAPHIC #1

<END>

g06467143

# ELECTRICAL AND STARTING SYSTEM

## 579-2544 CIRCUIT BREAKER GP

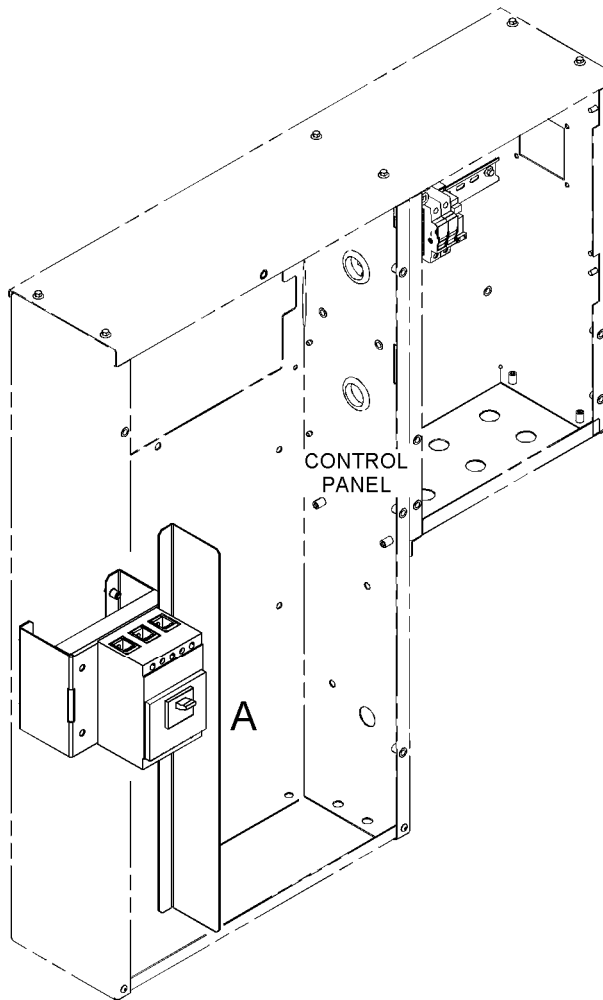
S/N: S341-UP  
250-AMPERE  
AN ATTACHMENT

SMCS-1420, 4461

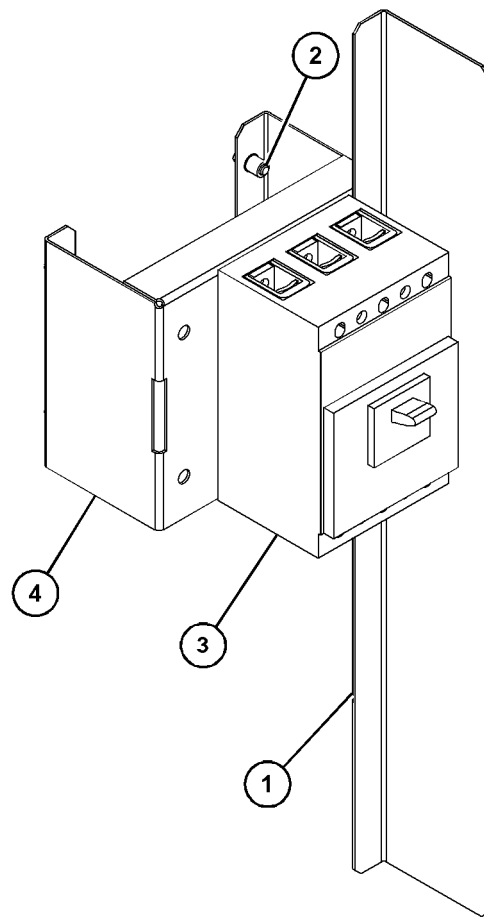
i07867689

NOTE	REF NO	GRAPHIC REF	PART NUMBER	QTY	PART NAME						SEE PAGE
					1	2	3	4	5	6 (PRODUCT LEVEL)	
	1	1	<b>570-6962</b>	1	PANEL						
M	2	1	<b>235-4451</b>	6	BOLT-FLANGE HEAD (M6X1X16-MM)						
	3	1	<b>576-1487</b>	1	CIRCUIT BREAKER GP (250-AMPERE)						
		1	<b>576-1481</b>	1	CIRCUIT BREAKER AS (250-AMPERE)						
		1	<b>576-1483</b>	2	TERMINAL						
	4	1	<b>577-7506</b>	1	BRACKET AS						
M		1	<b>3E-4304</b>	6	INSERT-THREADED (M6X1-THD)						

M - METRIC PART



GRAPHIC #1



VIEW OF AREA A

<END>

g06465421

# ELECTRICAL AND STARTING SYSTEM

## 241-7601 CONNECTION GP-ELECTRICAL-CYLINDER BLOCK GROUND

S/N: PW31-UP

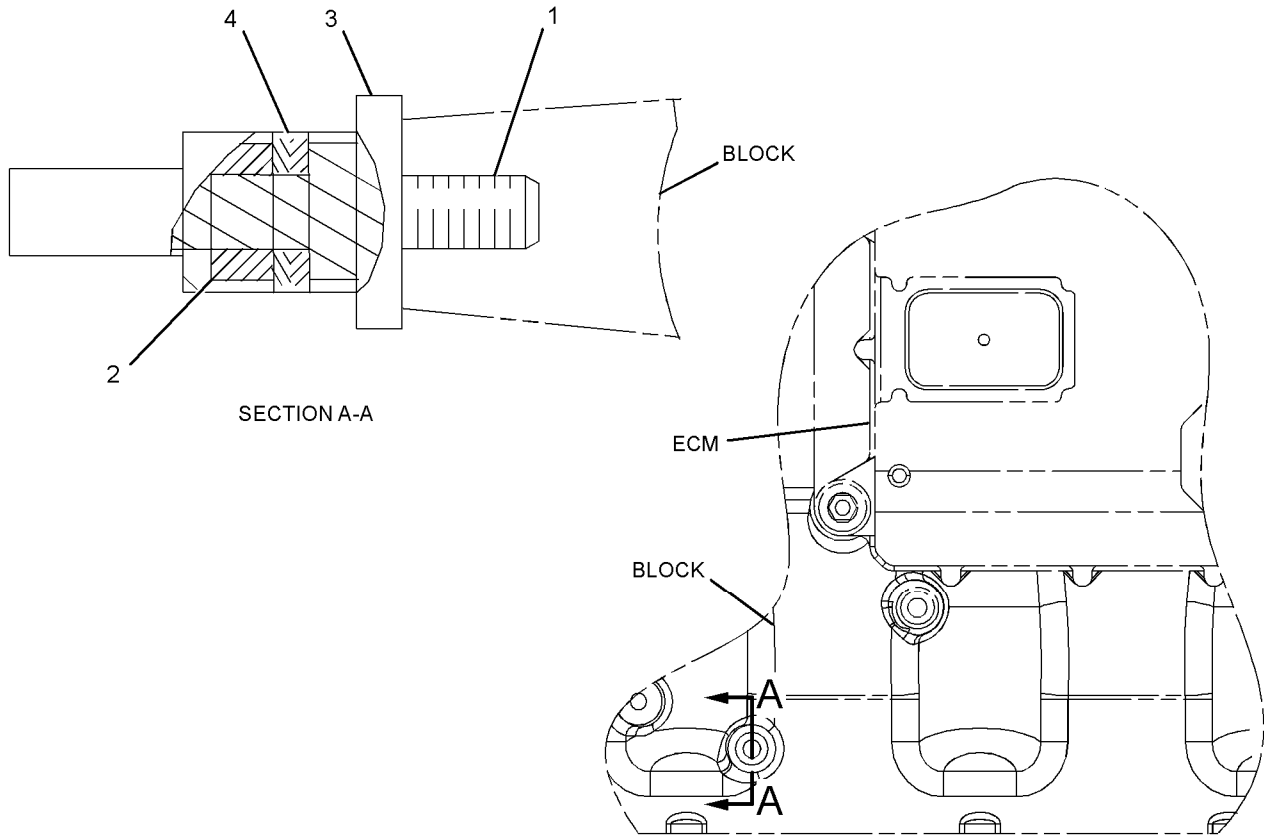
PROVIDES ADDITIONAL 8-MM GROUND STUD BELOW ECM  
PART OF 434-3726 ENGINE AR-COMPLETE

SMCS-1408

i05782817

NOTE	REF NO	GRAPHIC REF	PART NUMBER	QTY	PART NAME						SEE PAGE
					1	2	3	4	5	6 (PRODUCT LEVEL)	
M	1	1	<b>9X-2097</b>	1	STUD (M8X1.25-THD)						
M	2	1	<b>5C-7261</b>	1	NUT (M8X1.25-THD)						
	3	1	<b>6V-3964</b>	1	WASHER-HARD (8.8X25.5X5-MM THK)						
	4	1	<b>8F-7242</b>	2	WASHER (8.7X15.9X1.6-MM THK)						

M - METRIC PART



LEFT SIDE VIEW OF ENGINE

GRAPHIC #1

<END>

g03667046

# ELECTRICAL AND STARTING SYSTEM

## 233-6191 CONTROL & MTG GP-ENGINE ELEK

S/N: PW31-UP

PART OF 434-3726 ENGINE AR-COMplete

SMCS-1900, 1901

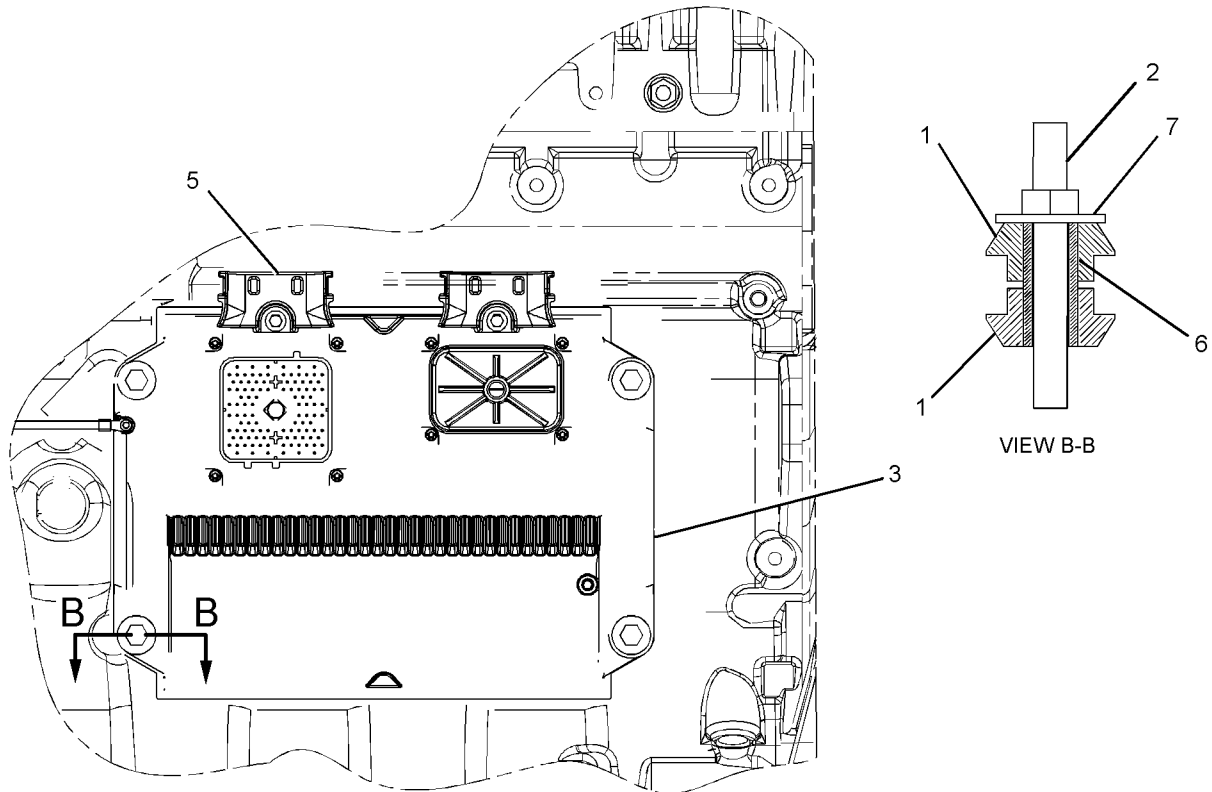
i05922001

NOTE	REF NO	GRAPHIC REF	PART NUMBER	QTY	PART NAME						SEE PAGE
					1	2	3	4	5	6 (PRODUCT LEVEL)	
	1	1	<b>8T-9655</b>	8	MOUNT-ISOLATION						
CM	2	1	<b>9X-2098</b>	4	STUD-TAPERLOCK (M8X1.25X45-MM)						
Y	3	1	<b>226-7473</b>	1	CONTROL GP-ENGINE ELECTRONIC						162
	5	1	<b>233-0891</b>	2	BRACKET AS						
					(EACH INCLUDES)						
M		1	<b>232-1693</b>	1	BOLT-FLANGE HEAD (M6X1X35-MM)						
	6	1	<b>6I-1418</b>	4	SPACER (8.2X12.7X28.7-MM THK)						
	7	1	<b>9N-0869</b>	4	WASHER-HARD (8.8X25.5X2-MM THK)						

C - CHANGE FROM PREVIOUS TYPE

M - METRIC PART

Y - SEPARATE ILLUSTRATION



LEFT SIDE VIEW

GRAPHIC #1

<END>

g01308133

# ELECTRICAL AND STARTING SYSTEM

## 491-7589 CONTROL GP-ELECTRONIC-~~PLE601~~ NETWORK MANAGER

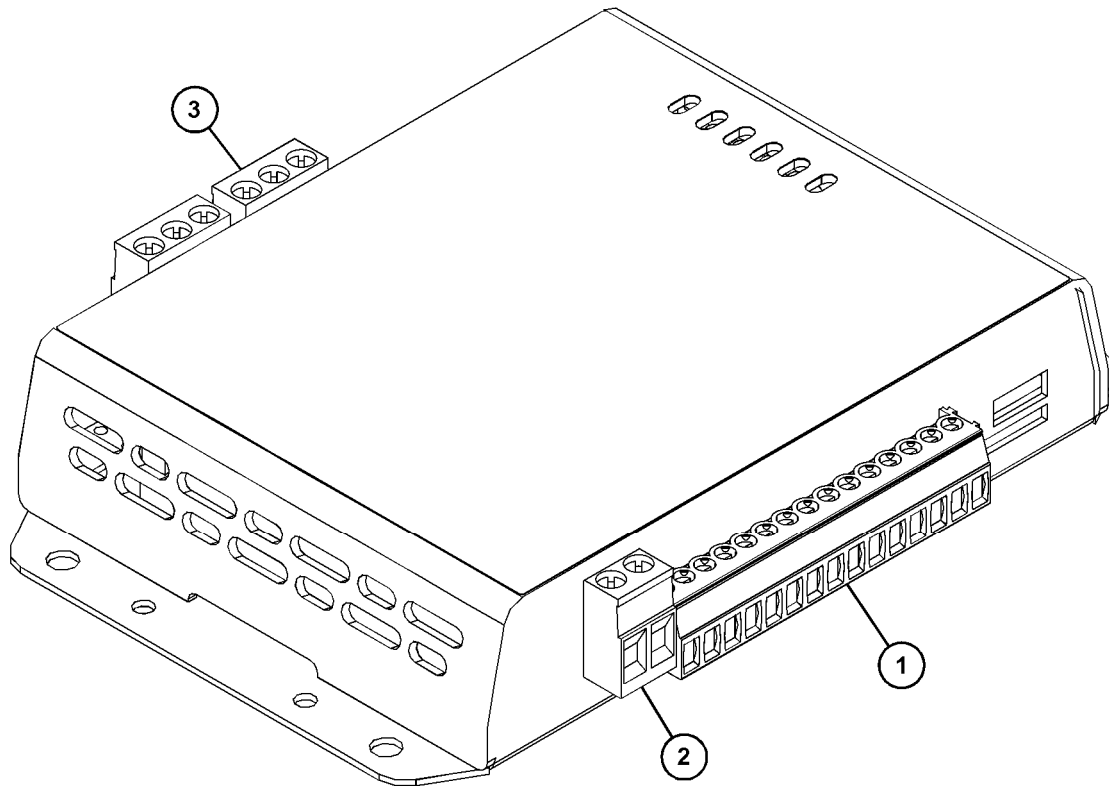
S/N: S341-UP

PART OF 580-1906 WIRING GP-COMMUNICATION  
AN ATTACHMENT

SMCS-1410, 1917, 1924, 4490

i07918313

NOTE	REF NO	GRAPHIC REF	PART NUMBER	QTY	PART NAME						SEE PAGE
					1	2	3	4	5	6 (PRODUCT LEVEL)	
	1	1	<b>497-5511</b>	1	PLUG AS-CONNECTOR (15-PIN)						
	2	1	<b>493-5256</b>	1	PLUG AS-CONNECTOR (2-PIN)						
	3	1	<b>493-5263</b>	2	PLUG AS-CONNECTOR (3-PIN)						
F					<b>550-0282</b>	1	SOFTWARE GP-MONITOR				
F - NOT SHOWN											



GRAPHIC #1

<END>

g06220027

# ELECTRICAL AND STARTING SYSTEM

## 491-7590 CONTROL GP-ELECTRONIC-PRODUCT LINK 641

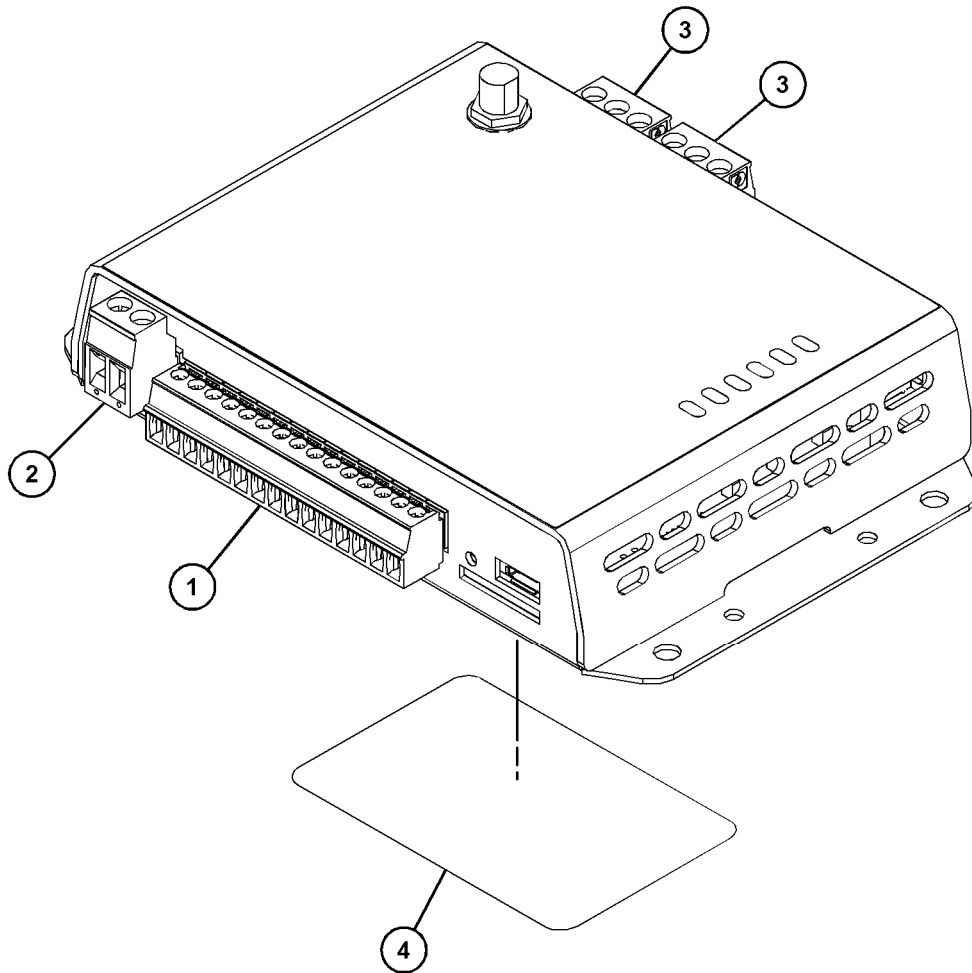
S/N: S341-UP

PART OF 577-3946 INSTALLATION GP-COMMUNICATION  
AN ATTACHMENT

SMCS-1410, 1917, 1924, 4490

i07769337

NOTE	REF NO	GRAPHIC REF	PART NUMBER	QTY	PART NAME						SEE PAGE
					1	2	3	4	5	6 (PRODUCT LEVEL)	
	1	1	<b>497-5511</b>	1	PLUG AS-CONNECTOR (15-PIN)						
	2	1	<b>493-5256</b>	1	PLUG AS-CONNECTOR (2-PIN)						
	3	1	<b>493-5263</b>	2	PLUG AS-CONNECTOR (3-PIN)						
	4	1	<b>520-0023</b>	1	FILM-IDENTIFICATION						
F			<b>550-0282</b>	1	SOFTWARE GP-MONITOR						
F - NOT SHOWN											



GRAPHIC #1

<END>

g06195369

# ELECTRICAL AND STARTING SYSTEM

## 226-7473 CONTROL GP-ENGINE ELECTRONIC

S/N: PW31-UP

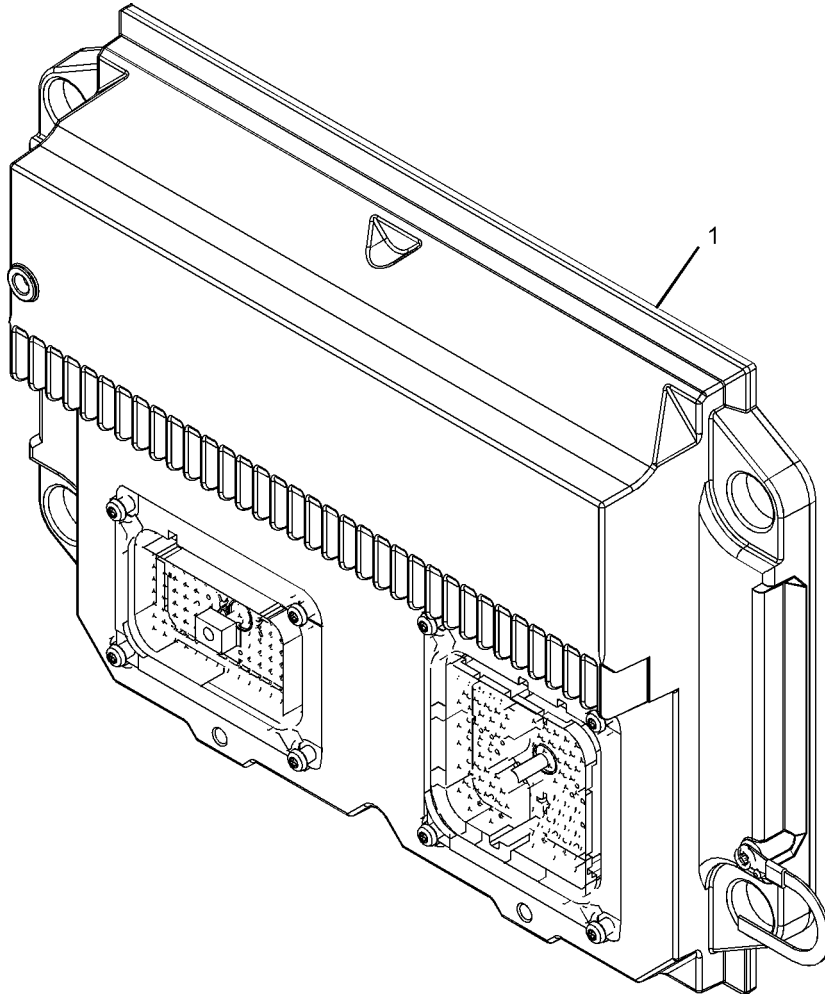
PART OF 233-6191 CONTROL & MTG GP-ENGINE ELEK

SMCS-1901

i06752527

NOTE	REF NO	GRAPHIC REF	PART NUMBER	QTY	PART NAME						SEE PAGE
					1	2	3	4	5	6 (PRODUCT LEVEL)	
R	1	1	478-7932	1	CONTROL GP-ELECTRONIC (ENGINE)						

R - REMANUFACTURED PART MAY BE AVAILABLE



GRAPHIC #1

<END>

g01101798

# ELECTRICAL AND STARTING SYSTEM

## 576-1476 COVER GP-CIRCUIT BREAKER

S/N: S341-UP

AN ATTACHMENT

SMCS-1420, 4461

i07861579

NOTE	REF NO	GRAPHIC REF	PART NUMBER	QTY	PART NAME						SEE PAGE
					1	2	3	4	5	6 (PRODUCT LEVEL)	
M	1	1	<b>106-8916</b>	7	BOLT (M6X16-MM)						
	2	1	<b>569-3835</b>	1	PANEL AS-COVER						
M		1	<b>3E-4304</b>	4	INSERT-THREADED (M6X1-THD)						

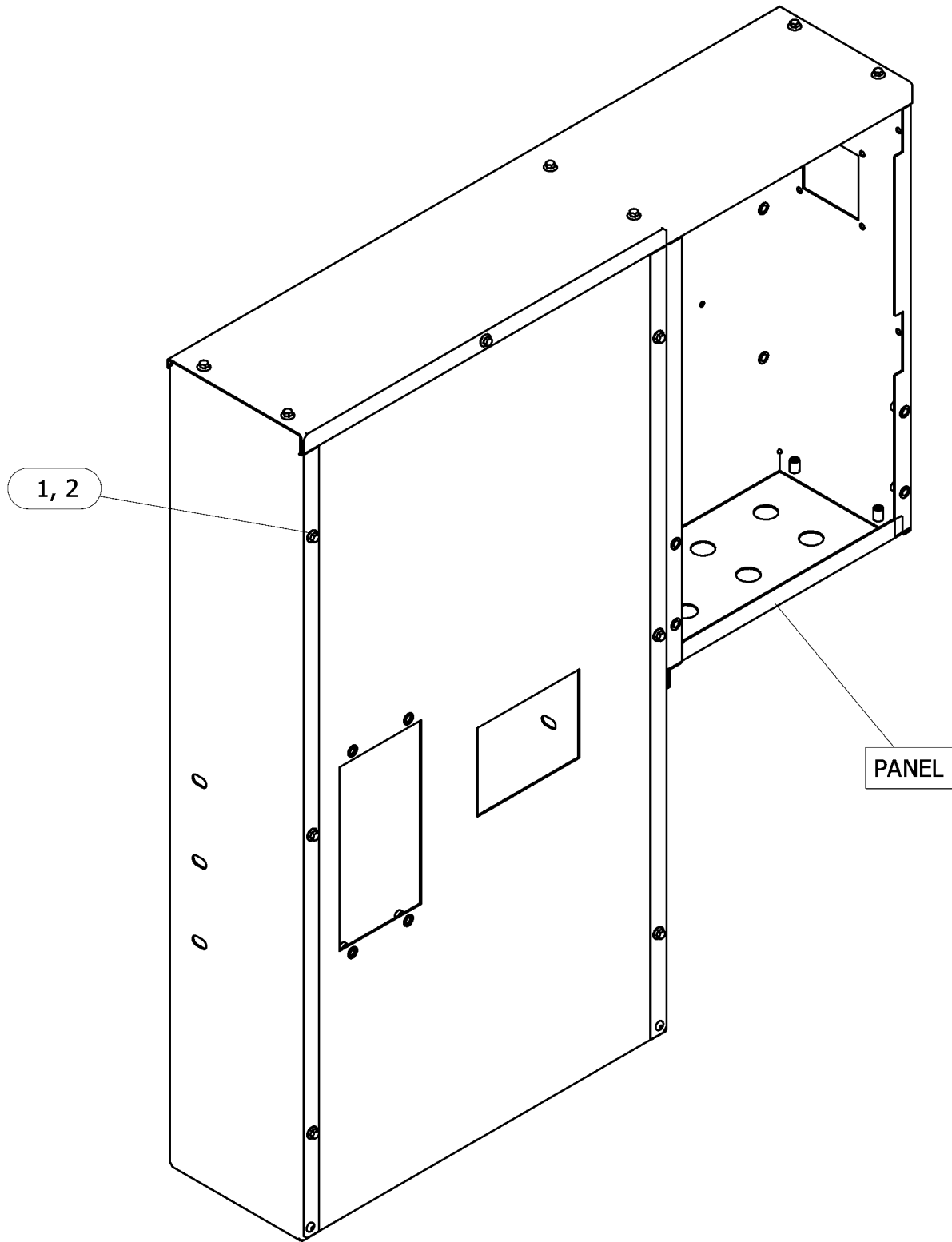
M - METRIC PART



# ELECTRICAL AND STARTING SYSTEM

576-1476 COVER GP-CIRCUIT BREAKER (contd.)

107861579



GRAPHIC #1

<END>

g06461033

# ELECTRICAL AND STARTING SYSTEM

## 576-1477 COVER GP-CIRCUIT BREAKER

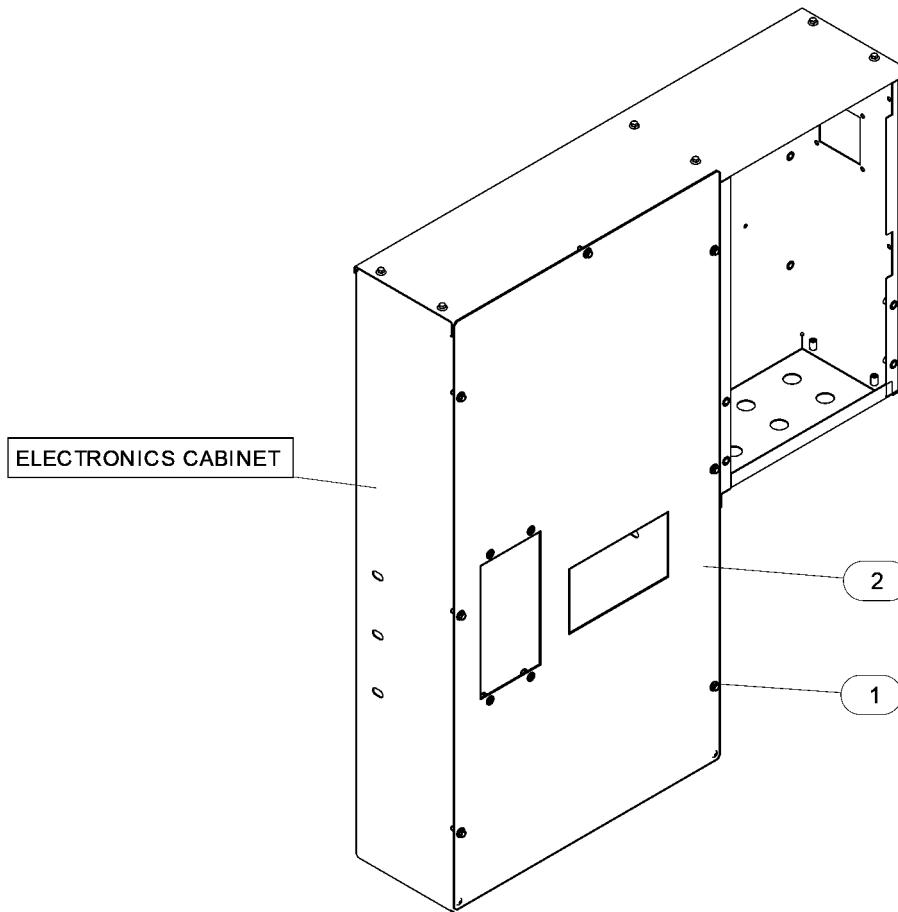
S/N: S341-UP  
AN ATTACHMENT

SMCS-1420, 4461

i07861589

NOTE	REF NO	GRAPHIC REF	PART NUMBER	QTY	PART NAME						SEE PAGE
					1	2	3	4	5	6 (PRODUCT LEVEL)	
M	1	1	<b>235-4451</b>	7	BOLT-FLANGE HEAD (M6X1X16-MM)						
	2	1	<b>569-3837</b>	1	PANEL AS-COVER						
M		1	<b>3E-4304</b>	4	INSERT-THREADED (M6X1-THD)						

M - METRIC PART



GRAPHIC #1

<END>

g06461859

# ELECTRICAL AND STARTING SYSTEM

## 382-5941 HARNESS AS-CONTROL

S/N: PW31-UP

PART OF 428-8529 WIRING GP-SENSOR

SMCS-1408

i06918954

NOTE	PART NUMBER	QTY	PART NAME 1 2 3 4 5 6 (PRODUCT LEVEL)	SEE PAGE
	<b>102-8806</b>	1	KIT-RECEPTACLE (8-PIN)	
			(INCLUDES RECEPTACLE AS & WEDGE)	
	<b>9X-3401</b>	5	PIN-CONNECTOR (16-GA TO 18-GA)	
			-OR-	
	<b>126-1767</b>	5	PIN-CONNECTOR (14-GA TO 16-GA)	
	<b>230-4011</b>	1	PLUG AS-CONNECTOR (2-PIN)	
	<b>455-0704</b>	1	SEAL-CONNECTOR	
	<b>237-0227</b>	1	PLUG AS-CONNECTOR (3-PIN)	
	<b>455-0705</b>	1	SEAL-CONNECTOR	
	<b>8T-8737</b>	3	PLUG-SEAL	
E	<b>289-5150</b>		SLEEVE (19-CM)	
	<b>9X-3402</b>	5	SOCKET-CONNECTOR (16-GA TO 18-GA)	
			-OR-	
	<b>126-1768</b>	5	SOCKET-CONNECTOR (14-GA TO 16-GA)	
B	<b>1P-0810</b>		TAPE-ELECTRICAL	
	<b>3E-3389</b>	1	WEDGE-RECEPTACLE LOCK (8-PIN)	

B - USE AS REQUIRED  
E - ORDER BY THE CENTIMETER

<END>

## 577-3930 HARNESS AS-CONTROL

S/N: S341-UP

PART OF 577-3946 INSTALLATION GP-COMMUNICATION, 580-1906 WIRING GP-COMMUNICATION  
AN ATTACHMENT

SMCS-1408

i07836476

NOTE	PART NUMBER	QTY	PART NAME 1 2 3 4 5 6 (PRODUCT LEVEL)	SEE PAGE
	<b>1S-9593</b>	3	STRAP-CABLE	
	<b>109-3038</b>	1	END-WIRE (16-GA)	
	<b>110-8714</b>	3	END-WIRE (18-GA)	
E	<b>119-3662</b>		TUBE-HEAT SHRINK (10.85-MM DIA) (7-CM)	
	<b>493-5256</b>	1	PLUG AS-CONNECTOR (2-PIN)	

E - ORDER BY THE CENTIMETER

<END>

# ELECTRICAL AND STARTING SYSTEM

## 577-8429 HARNESS AS-CONTROL

S/N: S341-UP

PART OF 577-3946 INSTALLATION GP-COMMUNICATION, 580-1906 WIRING GP-COMMUNICATION  
AN ATTACHMENT

**SMCS-1408**

**i07836490**

NOTE	PART NUMBER	QTY	PART NAME 1 2 3 4 5 6 (PRODUCT LEVEL)	SEE PAGE
B	<b>1S-9593</b>	5	STRAP-CABLE	
J	<b>5P-6001</b>		TUBE-HEAT SHRINK (4.75-MM DIA) (0.2-M)	
	<b>110-8714</b>	6	END-WIRE (18-GA)	
E	<b>125-7876</b>		TUBE-HEAT SHRINK (17.78-MM DIA) (10-CM)	
	<b>493-5263</b>	1	PLUG AS-CONNECTOR (3-PIN)	

B - USE AS REQUIRED  
E - ORDER BY THE CENTIMETER  
J - ORDER BY THE DECIMETER

<END>

## 586-4861 HARNESS AS-CONTROL

S/N: S341-UP

PART OF 577-3946 INSTALLATION GP-COMMUNICATION, 580-1906 WIRING GP-COMMUNICATION  
AN ATTACHMENT

**SMCS-1408**

**i07867651**

NOTE	PART NUMBER	QTY	PART NAME 1 2 3 4 5 6 (PRODUCT LEVEL)	SEE PAGE
	<b>1S-9593</b>	4	STRAP-CABLE	
D	<b>5P-6001</b>		TUBE-HEAT SHRINK (4.75-MM DIA) (0.2-M)	
	<b>110-8714</b>	6	END-WIRE (18-GA)	
E	<b>125-7876</b>		TUBE-HEAT SHRINK (17.78-MM DIA) (10-CM)	
	<b>497-5511</b>	1	PLUG AS-CONNECTOR (15-PIN)	

D - ORDER BY THE METER  
E - ORDER BY THE CENTIMETER

<END>

# ELECTRICAL AND STARTING SYSTEM

## 385-2664 HARNESS AS-ENGINE

S/N: PW31-UP

FOR USE WITH INDUSTRIAL AND COMMERCIAL APPLICATIONS WITH OCV SYSTEM  
 CANNOT BE USED WITH MACHINE APPLICATIONS INDUSTRIAL AND COMMERCIAL APPLICATIONS  
 WITH NO OVC SYSTEM

PART OF 428-7733 WIRING GP-ELECTRONIC CONTROL

SMCS-1408

i06925240

NOTE	PART NUMBER	QTY	PART NAME 1 2 3 4 5 6 (PRODUCT LEVEL)	SEE PAGE
	<b>211-6807</b>	1	COVER-CONNECTOR	
	<b>105-1797</b>	1	MOUNT	
	<b>155-2255</b>	1	KIT-CONNECTING PLUG (12-PIN)	
	<b>155-2270</b>	1	KIT-CONNECTING PLUG (2-PIN)	
	<b>155-2265</b>	1	KIT-CONNECTING PLUG (8-PIN)	
			(EACH PLUG KIT INCLUDES PLUG AS, WEDGE & INTERFACE SEAL)	
	<b>230-4011</b>	4	PLUG AS-CONNECTOR (2-PIN)	
			(EACH INCLUDES)	
	<b>264-7029</b>	1	SEAL-CONNECTOR	
	<b>230-4013</b>	1	PLUG AS-CONNECTOR (3-PIN)	
	<b>264-7030</b>	1	SEAL-CONNECTOR	
	<b>237-0227</b>	2	PLUG AS-CONNECTOR (3-PIN)	
			(EACH INCLUDES)	
	<b>264-7030</b>	1	SEAL-CONNECTOR	
	<b>264-5732</b>	1	PLUG AS-CONNECTOR (120-PIN)	
	<b>288-7324</b>	1	SEAL-CONNECTOR	
	<b>8T-8737</b>	93	PLUG-SEAL	
	<b>102-8802</b>	1	KIT-RECEPTACLE (2-PIN)	
			(RECEPTACLE KIT INCLUDES RECEPTACLE AS & WEDGE)	
	<b>9X-3402</b>	68	SOCKET-CONNECTOR (16-GA TO 18-GA)	
			-OR-	
	<b>126-1768</b>	68	SOCKET-CONNECTOR (14-GA TO 16-GA)	
	<b>3S-2093</b>	2	STRAP-CABLE	
E	<b>125-7875</b>		TUBE-HEAT SHRINK (7.44-MM DIA) (15-CM)	
B	<b>1P-0810</b>	1	TAPE-ELECTRICAL	
	<b>155-2258</b>	1	WEDGE-PLUG LOCK (12-PIN)	
	<b>155-2259</b>	1	WEDGE-PLUG LOCK (8-PIN)	

B - USE AS REQUIRED  
 E - ORDER BY THE CENTIMETER

<END>

# ELECTRICAL AND STARTING SYSTEM

## 572-5793 HARNESS AS-ENGINE

S/N: S341-UP

PART OF 579-1018 WIRING GP-GENERATOR  
AN ATTACHMENT

SMCS-1408

i07867531

NOTE	PART NUMBER	QTY	PART NAME						SEE PAGE
			1	2	3	4	5	6 (PRODUCT LEVEL)	
	<b>1S-9593</b>	27	STRAP-CABLE						
D	<b>5P-6001</b>		TUBE-HEAT SHRINK (4.75-MM DIA) (0.6-M)						
D	<b>6V-2722</b>		TUBE-HEAT SHRINK (25.4-MM DIA) (0.3-M)						
	<b>8T-8737</b>	58	PLUG-SEAL						
	<b>9X-6772</b>	2	STRAP-CABLE						
	<b>109-3038</b>	1	END-WIRE (16-GA)						
	<b>110-8714</b>	18	END-WIRE (18-GA)						
	<b>112-7497</b>	3	END-WIRE (14-GA)						
	<b>9W-0844</b>	7	SOCKET-CONNECTOR (14-GA TO 16-GA)						
E	<b>119-3662</b>		TUBE-HEAT SHRINK (10.85-MM DIA) (26-CM)						
E	<b>125-7874</b>		TUBE-HEAT SHRINK (5.72-MM DIA) (10-CM)						
E	<b>125-7876</b>		TUBE-HEAT SHRINK (17.78-MM DIA) (43-CM)						
	<b>126-1774</b>	1	COVER-CONNECTOR						
	<b>2L-8054</b>	2	TERMINAL-RING (6-GA, 1/2-IN SCREW)						
			-OR-						
	<b>2L-8061</b>	2	TERMINAL-RING (8-GA, 1/2-IN SCREW)						
	<b>2L-8066</b>	1	TERMINAL-RING (10-GA TO 12-GA, NO. 10 SCREW)						
	<b>2L-8067</b>	1	TERMINAL-RING (10-GA TO 12-GA, 1/4-IN SCREW)						
	<b>2L-8081</b>	1	TERMINAL-RING (14-GA TO 16-GA, 1/2-IN SCREW)						
	<b>134-2540</b>	1	RECEPTACLE AS-CONNECTOR (3-PIN)						
	<b>155-2270</b>	1	KIT-CONNECTING PLUG (2-PIN)						
	<b>155-2271</b>	1	KIT-CONNECTING PLUG (4-PIN)						
	<b>155-2260</b>	2	KIT-CONNECTING PLUG (3-PIN)						
			(EACH PLUG KIT INCLUDES PLUG AS, WEDGE, & INTERFACE SEAL)						
	<b>160-7689</b>	1	PLUG AS-CONNECTOR (70-PIN)						
	<b>159-9322</b>	1	SEAL-O-RING						
	<b>169-0705</b>	1	PLUG-SEAL						
	<b>203-9007</b>	1	NUT (1-1/2-18-THD)						
	<b>230-4011</b>	1	PLUG AS-CONNECTOR (2-PIN)						
	<b>455-0704</b>	1	SEAL-CONNECTOR						
	<b>240-4590</b>	2	SOCKET-CONNECTOR (16-GA TO 20-GA)						
	<b>246-2009</b>	7	TERMINAL						
	<b>246-2010</b>	7	INSULATOR						
	<b>247-8195</b>	1	PLUG AS (3-PIN)						
	<b>247-8196</b>	1	WEDGE						
	<b>263-0856</b>	1	TERMINAL						
	<b>263-0857</b>	1	INSULATOR-TERMINAL						
	<b>265-4123</b>	1	RECEPTACLE AS-CONNECTOR (9-PIN)						
	<b>270-2679</b>	1	LOCKWASHER						
E	<b>379-2338</b>		CABLE-ELECTRICAL (2-CONDUCTOR, 18-GA) (91-CM)						
	<b>390-1210</b>	1	KIT-CONNECTOR						
	<b>8T-8729</b>	7	PIN-CONNECTOR (16-GA TO 20-GA)						
	<b>8T-8730</b>	19	SOCKET-CONNECTOR (16-GA TO 18-GA)						
	<b>571-4256</b>	1	PLATE						

# ELECTRICAL AND STARTING SYSTEM

572-5793 HARNESS AS-ENGINE (contd.)

i07867531

NOTE	PART NUMBER	QTY	PART NAME						SEE PAGE
			1	2	3	4	5	6 (PRODUCT LEVEL)	
D - ORDER BY THE METER									
E - ORDER BY THE CENTIMETER									
<END>									

## 580-3699 HARNESS AS-LIGHTING

S/N: S341-UP

PART OF 580-5709 LIGHTING GP-FLOOD  
AN ATTACHMENT

SMCS-1408

i07849347

NOTE	PART NUMBER	QTY	PART NAME						SEE PAGE
			1	2	3	4	5	6 (PRODUCT LEVEL)	
	1S-9593	10							
	110-8714	3							
E	125-7874								
	155-2270	2							
	367-6696	1							
	8T-8730	4							
E - ORDER BY THE CENTIMETER									
<END>									

## 578-7682 HARNESS AS-POWER

S/N: S341-UP

PART OF 578-7680 MOUNTING GP-BATTERY  
AN ATTACHMENT

SMCS-1408

i07870075

NOTE	PART NUMBER	QTY	PART NAME						SEE PAGE
			1	2	3	4	5	6 (PRODUCT LEVEL)	
	1S-9593	12							
D	5P-6001								
	110-8714	6							
	112-7497	12							
E	125-7876								
D - ORDER BY THE METER									
E - ORDER BY THE CENTIMETER									
<END>									

## 399-9196 HARNESS AS-WIRING

S/N: S341-UP

AN ATTACHMENT

SMCS-1408

i07231941

NOTE	PART NUMBER	QTY	PART NAME						SEE PAGE
			1	2	3	4	5	6 (PRODUCT LEVEL)	
	3S-2093	37							
<END>									

# ELECTRICAL AND STARTING SYSTEM

## 399-9202 HARNESS AS-WIRING

S/N: S341-UP  
AN ATTACHMENT

SMCS-1408

i07231980

NOTE	PART NUMBER	QTY	PART NAME 1 2 3 4 5 6 (PRODUCT LEVEL)	SEE PAGE
	<b>3S-2093</b>	27	STRAP-CABLE	
<END>				

## 418-7614 HARNESS AS-WIRING

S/N: PW31-UP  
PART OF 230-0961 WIRING GP-UNIT INJECTOR

SMCS-1408

i05314190

NOTE	PART NUMBER	QTY	PART NAME 1 2 3 4 5 6 (PRODUCT LEVEL)	SEE PAGE
	<b>9X-3401</b>	9	PIN-CONNECTOR (16-GA TO 18-GA)	
-OR-				
	<b>126-1767</b>	9	PIN-CONNECTOR (14-GA TO 16-GA)	
	<b>8T-8737</b>	3	PLUG-SEAL	
	<b>103-8133</b>	1	KIT-RECEPTACLE (12-PIN)	
(INCLUDES RECEPTACLE AS & WEDGE)				
<END>				

## 443-0637 HARNESS AS-WIRING

S/N: S341-UP  
AN ATTACHMENT

SMCS-1408

i07231994

NOTE	PART NUMBER	QTY	PART NAME 1 2 3 4 5 6 (PRODUCT LEVEL)	SEE PAGE
	<b>246-7013</b>	2	SEAL (6-POSITION)	
	<b>1S-9593</b>	1	STRAP-CABLE	
<END>				



# ELECTRICAL AND STARTING SYSTEM

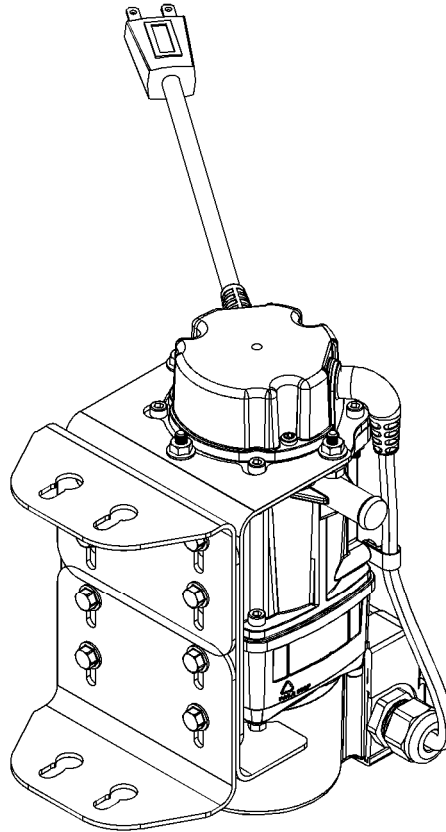
## 577-1758 HEATER-JACKET WATER

S/N: S341-UP  
AN ATTACHMENT

SMCS-1383

i07836433

NOTE	REF NO	GRAPHIC REF	PART NUMBER	QTY	PART NAME						SEE PAGE
					1	2	3	4	5	6 (PRODUCT LEVEL)	
(NO SERVICED PARTS)											



GRAPHIC #1

<END>

g06453570

# ELECTRICAL AND STARTING SYSTEM

## 578-9355 HEATER-JACKET WATER

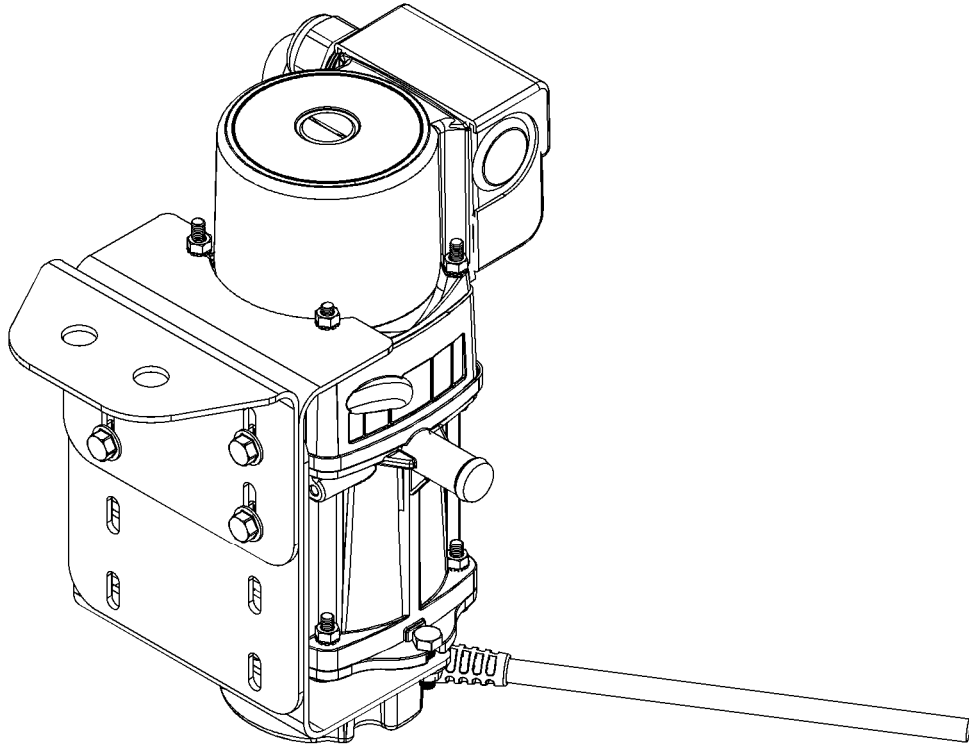
S/N: S341-UP  
AN ATTACHMENT

SMCS-1383

i07836579

NOTE	REF NO	GRAPHIC REF	PART NUMBER	QTY	PART NAME	SEE PAGE
------	--------	-------------	-------------	-----	-----------	----------

(NO SERVICED PARTS)



GRAPHIC #1

<END>

g06453594

# ELECTRICAL AND STARTING SYSTEM

## 577-3946 INSTALLATION GP-COMMUNICATION

S/N: S341-UP  
AN ATTACHMENT

SMCS-1408, 1901, 1902, 7610, 7620

i07868729

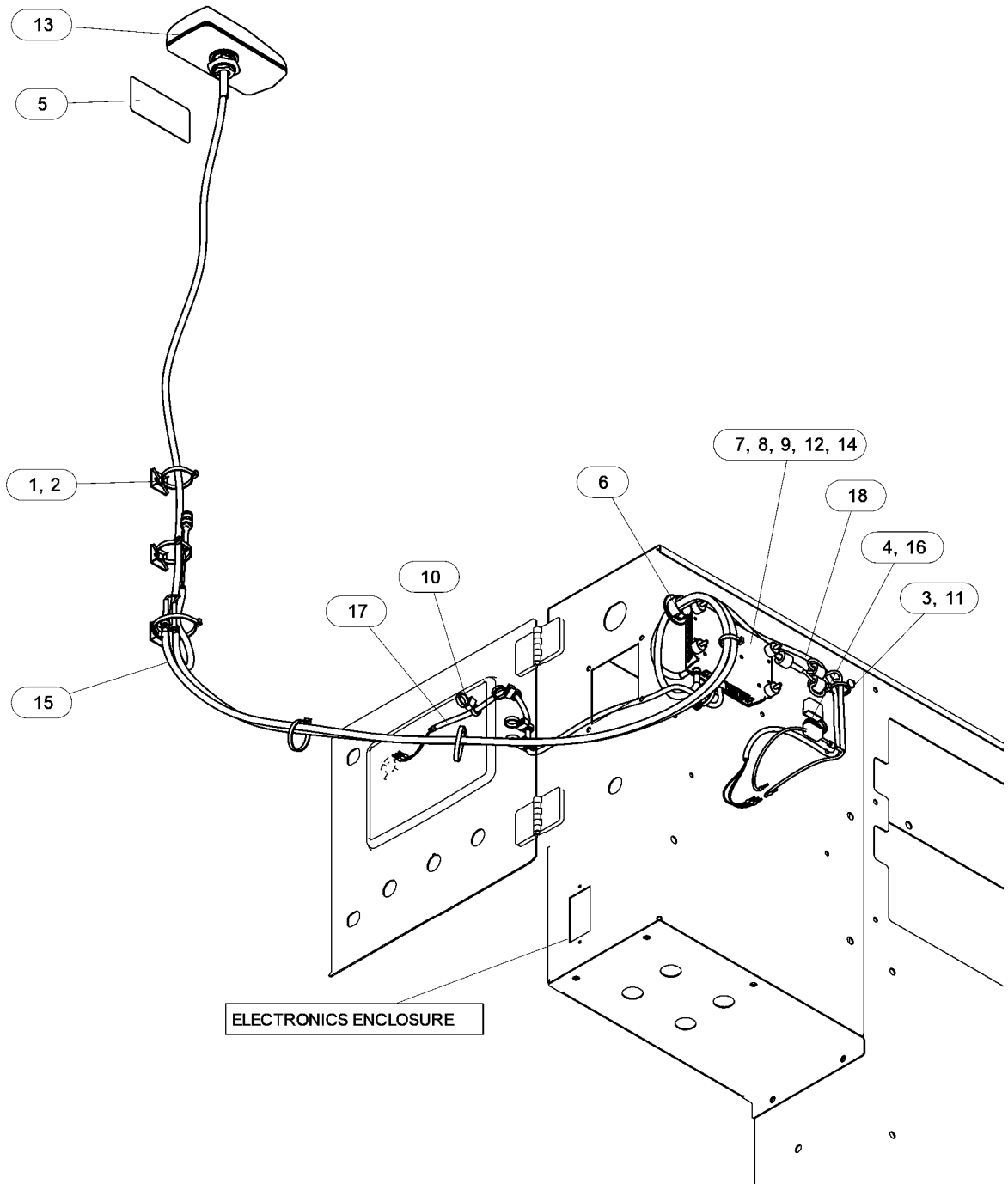
NOTE	REF NO	GRAPHIC REF	PART NUMBER	QTY	PART NAME						SEE PAGE
					1	2	3	4	5	6 (PRODUCT LEVEL)	
	1	1	<b>3E-0105</b>	3	MOUNT						
	2	1	<b>3S-2093</b>	7	STRAP-CABLE						
	3	1	<b>8L-8413</b>	1	STRAP-CABLE (WHITE)						
	4	1	<b>139-5345</b>	1	FUSE (5-AMPERE)						
	5	1	<b>433-9728</b>	1	FILM-WARNING (EXPLOSION, WIRELESS, OMM, U.S.)						
	6	1	<b>449-0760</b>	1	PLUG-CAP						
	7	1	<b>510-4262</b>	1	CARD-SIM						
M	8	1	<b>095-7930</b>	4	SCREW-MACHINE (M4X0.7X6-MM)						
	9	1	<b>1H-4393</b>	4	LOCKWASHER						
	10	1	<b>268-1007</b>	4	STRAP-CABLE						
	11	1	<b>349-6808</b>	1	MOUNT						
Y	12	1	<b>491-7590</b>	1	CONTROL GP-ELECTRONIC						161
	13	1	<b>499-0689</b>	1	ANTENNA AS						
		1	<b>470-1268</b>	1	MOUNTING AS (ELECTRONIC CONTROL)						
		1	<b>499-0687</b>	1	ANTENNA AS						
		1	<b>361-1045</b>	1	NUT-SPECIAL (5/8-18-THD)						
	14	1	<b>502-6405</b>	4	BUSHING						
	15	1	<b>516-5946</b>	2	CABLE AS-ANTENNA						
Y	16	1	<b>577-3930</b>	1	HARNESS AS-CONTROL						166
Y	17	1	<b>577-8429</b>	1	HARNESS AS-CONTROL						167
Y	18	1	<b>586-4861</b>	1	HARNESS AS-CONTROL						167
F			<b>516-5946</b>	2	CABLE AS-ANTENNA						

F - NOT SHOWN  
M - METRIC PART  
Y - SEPARATE ILLUSTRATION

# ELECTRICAL AND STARTING SYSTEM

577-3946 INSTALLATION GP-COMMUNICATION (contd.)

107868729



GRAPHIC #1

<END>

g06466015

# ELECTRICAL AND STARTING SYSTEM

## 426-5380 LAMP GP-FLOOD-WORK LIGHTS

S/N: S341-UP

9-VOLT TO 32-VOLT. LED

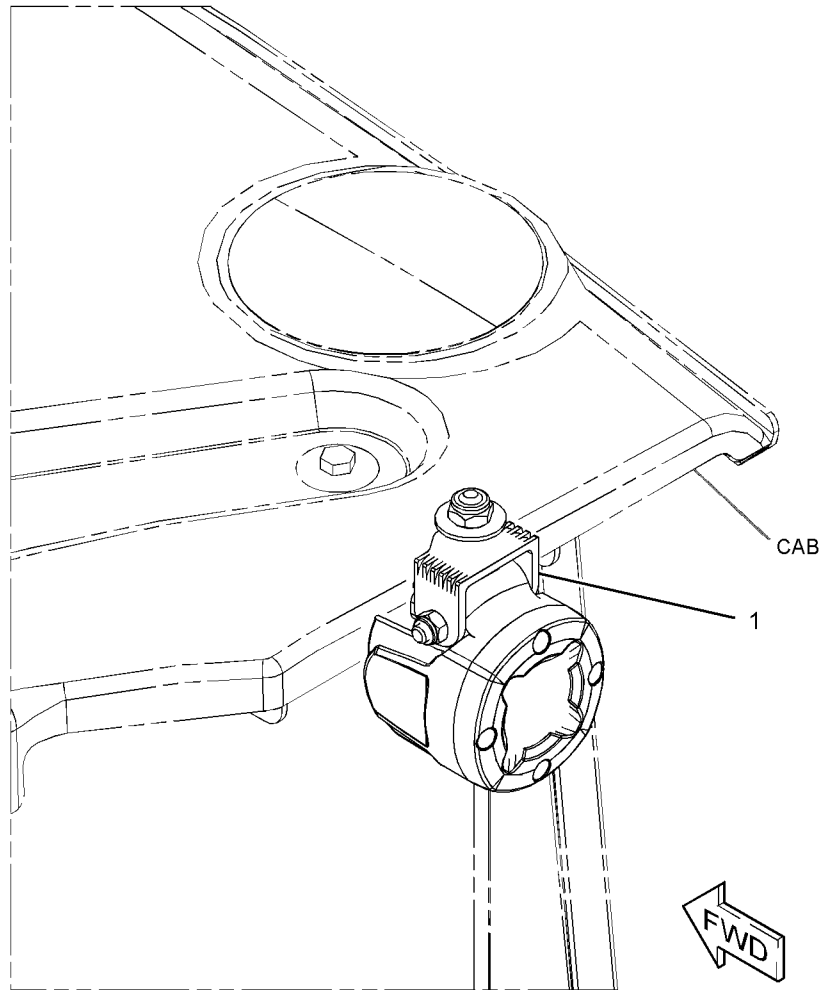
PART OF 580-5709 LIGHTING GP-FLOOD

AN ATTACHMENT

SMCS-1434

i05983699

NOTE	REF NO	GRAPHIC REF	PART NUMBER	QTY	PART NAME	SEE PAGE
					1 2 3 4 5 6 (PRODUCT LEVEL)	
	1	1	<b>389-0447</b>	1	BRACKET AS	



GRAPHIC #1

<END>

g03381869

# ELECTRICAL AND STARTING SYSTEM

## 580-5709 LIGHTING GP-FLOOD

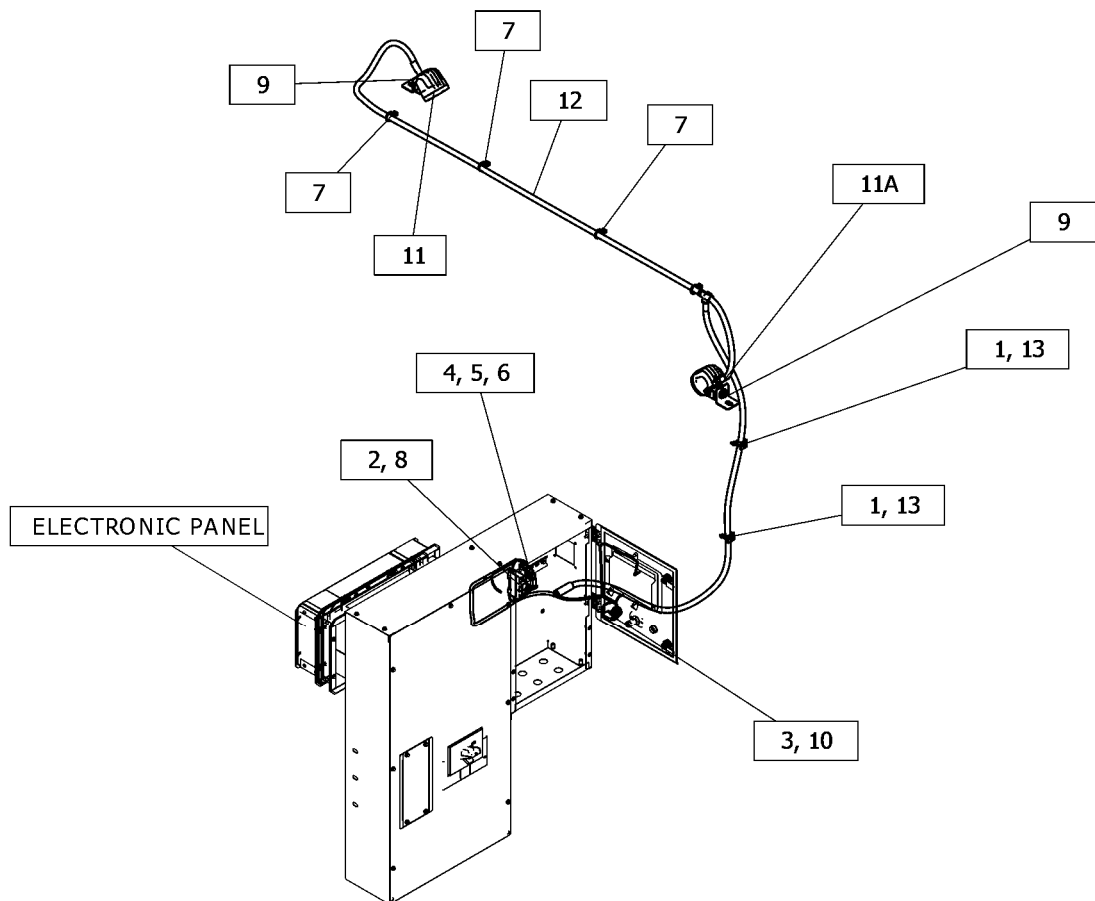
S/N: S341-UP  
AN ATTACHMENT

SMCS-1434

i07849342

NOTE	REF NO	GRAPHIC REF	PART NUMBER	QTY	PART NAME						SEE PAGE
					1	2	3	4	5	6 (PRODUCT LEVEL)	
	1	1	<b>3E-0105</b>	2	MOUNT						
	2	1	<b>7W-0482</b>	1	FUSE (2-AMPERE)						
	3	1	<b>308-9776</b>	1	BLOCK-CONTACT						
	4	1	<b>336-8570</b>	1	DIODE						
	5	1	<b>352-2951</b>	1	RELAY (24-VOLT)						
	6	1	<b>352-2952</b>	1	BASE-RELAY						
	7	1	<b>396-5615</b>	4	MOUNT						
	8	1	<b>443-1279</b>	1	HOLDER-FUSE						
	9	1	<b>463-3071</b>	2	BRACKET						
	10	1	<b>308-9796</b>	1	SWITCH-PUSH						
Y	11	1	<b>426-5380</b>	1	LAMP GP-FLOOD (9/32-VOLT) (WORK LIGHTS)						176
Y	11A	1	<b>426-5380</b>	1	LAMP GP-FLOOD (9/32-VOLT) (CAMERA)						176
Y	12	1	<b>580-3699</b>	1	HARNESS AS-LIGHTING						170
	13	1	<b>3S-2093</b>	2	STRAP-CABLE						
F			<b>8T-2428</b>	1	FILM-INSTRUCTION (WORK LIGHTS)						
F			<b>336-8571</b>	1	RETAINER-CLAMP						

F - NOT SHOWN  
Y - SEPARATE ILLUSTRATION



GRAPHIC #1

<END>

g06459704

# ELECTRICAL AND STARTING SYSTEM

## 578-7680 MOUNTING GP-BATTERY

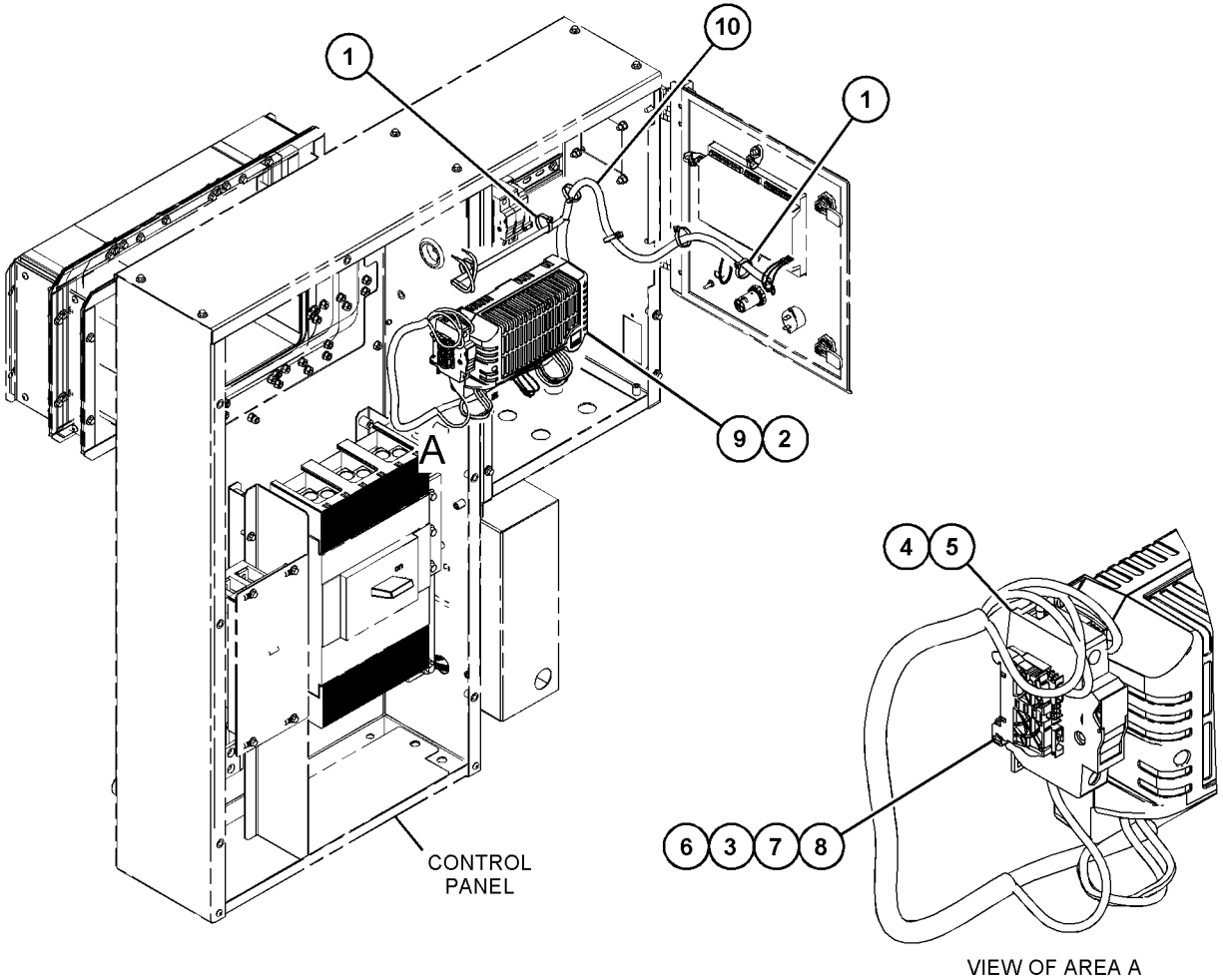
S/N: S341-UP  
AN ATTACHMENT

SMCS-1401

i07870167

NOTE	REF NO	GRAPHIC REF	PART NUMBER	QTY	PART NAME						SEE PAGE
					1	2	3	4	5	6	
	1	1	<b>3S-2093</b>	5	STRAP-CABLE						
	2	1	<b>9W-2275</b>	1	RESISTOR (120-OHM)						
	3	1	<b>301-8313</b>	2	BLOCK-TERMINAL (4-TERMINAL)						
	4	1	<b>422-6095</b>	1	FUSE (10-AMPERE)						
	5	1	<b>443-1279</b>	1	HOLDER-FUSE						
	6	1	<b>301-8316</b>	1	COVER-END						
	7	1	<b>301-8317</b>	1	BLOCK-TERMINAL (800-VOLT, 24-AMPERE)						
	8	1	<b>374-5721</b>	1	CLIP-TERMINAL						
	9	1	<b>572-0792</b>	1	BATTERY CHARGER (24-VOLT)						
Y	10	1	<b>578-7682</b>	1	HARNES AS-POWER						170

Y - SEPARATE ILLUSTRATION



GRAPHIC #1

<END>

g06467594

# ELECTRICAL AND STARTING SYSTEM

## 580-2205 MOUNTING GP-CONNECTOR

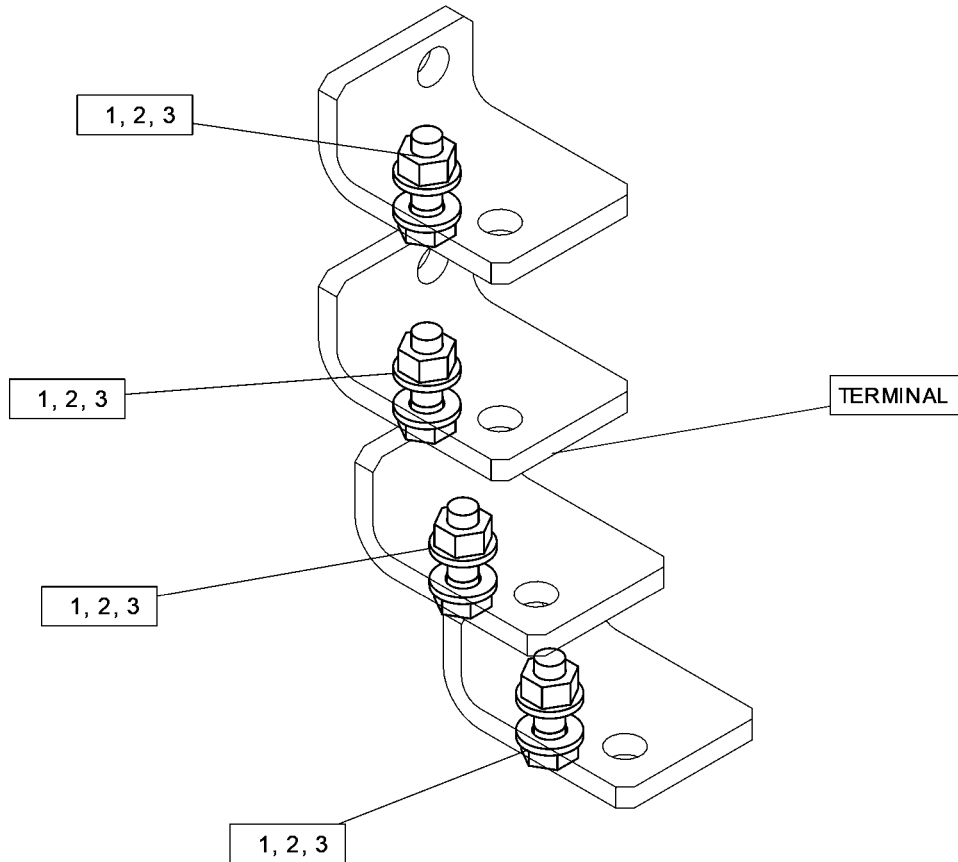
S/N: S341-UP  
AN ATTACHMENT

SMCS-1408

i07841676

NOTE	REF NO	GRAPHIC REF	PART NUMBER	QTY	PART NAME						SEE PAGE
					1	2	3	4	5	6 (PRODUCT LEVEL)	
	1	1	<b>8T-4121</b>	8	WASHER-HARD (11X21X2.5-MM THK)						
M	2	1	<b>8T-4133</b>	4	NUT (M10X1.5-THD)						
M	3	1	<b>8T-4195</b>	4	BOLT (M10X1.5X30-MM)						

M - METRIC PART



GRAPHIC #1

<END>

g06457326



# ELECTRICAL AND STARTING SYSTEM

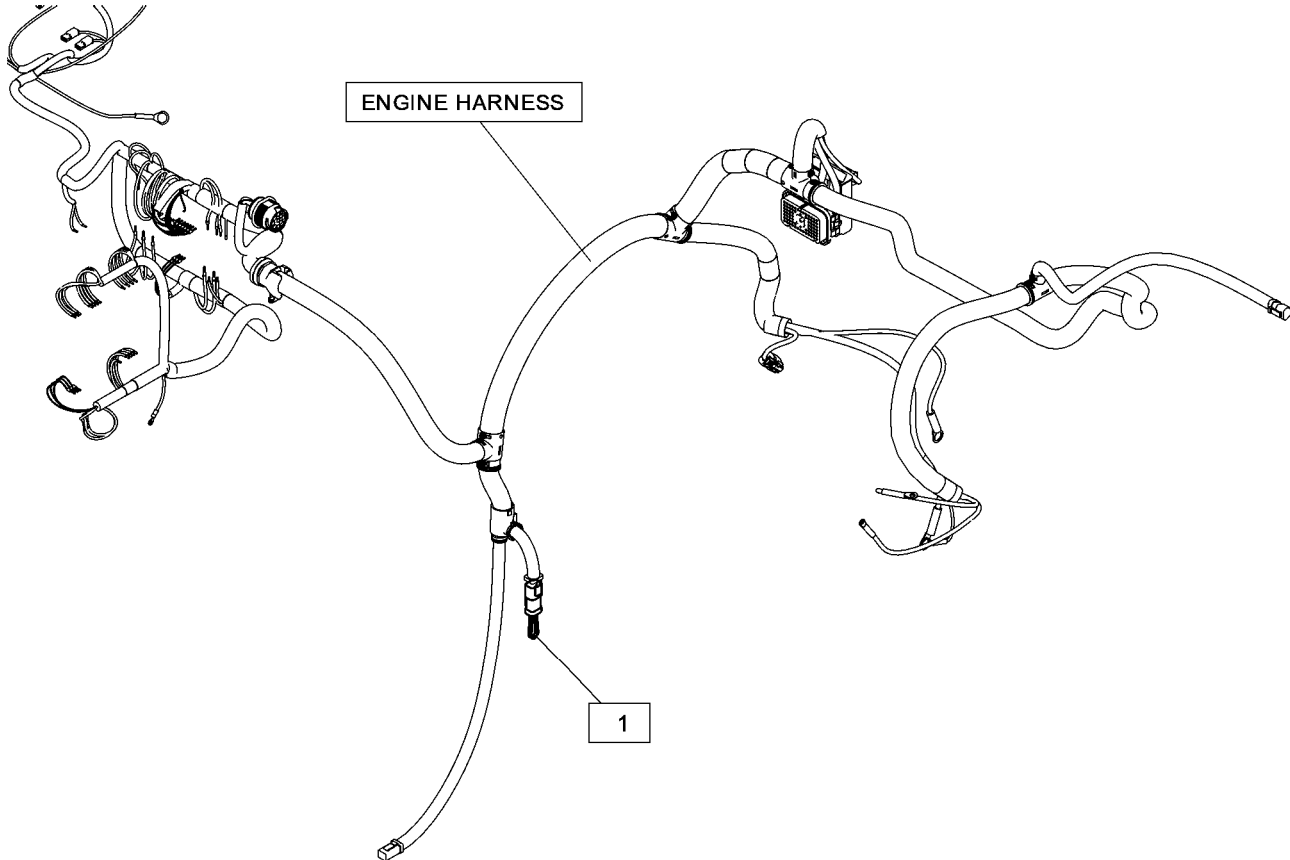
## 580-2673 PLUG GP-CONNECTOR

S/N: S341-UP  
EMERGENCY STOP  
AN ATTACHMENT

SMCS-1408

i07848999

NOTE	REF NO	GRAPHIC REF	PART NUMBER	QTY	PART NAME						SEE PAGE
					1	2	3	4	5	6 (PRODUCT LEVEL)	
	1	1	<b>580-2678</b>	1	PLUG AS-CONNECTOR						
		1	<b>102-8804</b>	1	KIT-RECEPTACLE (4-PIN)						
					(INCLUDES RECEPTACLE AS & WEDGE)						
		1	<b>8T-8729</b>	4	PIN-CONNECTOR (16-GA TO 20-GA)						
		1	<b>3E-3377</b>	1	WEDGE-RECEPTACLE LOCK (4-PIN)						



GRAPHIC #1

<END>

g06460199

# ELECTRICAL AND STARTING SYSTEM

## 577-8556 RECEPTACLE GP-ELECTRICAL

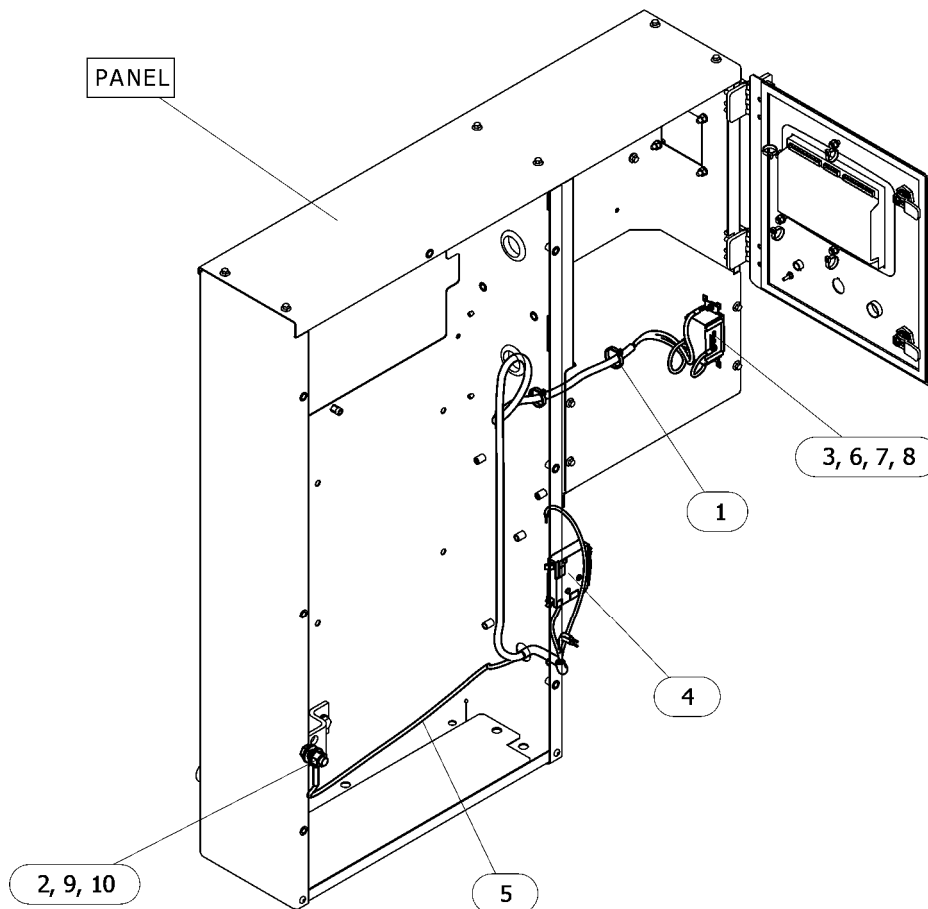
S/N: S341-UP  
20-AMPERE  
AN ATTACHMENT

SMCS-7553

i07836518

NOTE	REF NO	GRAPHIC REF	PART NUMBER	QTY	PART NAME						SEE PAGE
					1	2	3	4	5	6 (PRODUCT LEVEL)	
	1	1	<b>3S-2093</b>	2	STRAP-CABLE						
M	2	1	<b>329-3356</b>	1	NUT (M12X1.75-THD)						
	3	1	<b>423-7031</b>	1	RECEPTACLE						
	4	1	<b>508-6697</b>	1	CIRCUIT BREAKER GP (20-AMPERE)						
	5	1	<b>577-8711</b>	1	HARNESS AS-POWER						
		1	<b>5P-1477</b>	3	TERMINAL-FORK (10-GA TO 12-GA, NO. 8 SCREW)						
		1	<b>109-3039</b>	2	END-WIRE (12-GA)						
		1	<b>113-8961</b>	2	END-WIRE (10-GA)						
		1	<b>2L-8071</b>	1	TERMINAL-RING (10-GA TO 12-GA, 1/2-IN SCREW)						
M	6	1	<b>5C-8312</b>	2	NUT (M4X0.7-THD)						
	7	1	<b>8C-9660</b>	4	WASHER (4.6X7.9X0.8-MM THK)						
M	8	1	<b>8T-0337</b>	2	SCREW-MACHINE (M4X0.7X12-MM)						
M	9	1	<b>8T-4139</b>	1	BOLT (M12X1.75X30-MM)						
	10	1	<b>8T-4223</b>	2	WASHER-HARD (13.5X25.5X3-MM THK)						

M - METRIC PART



GRAPHIC #1

<END>

g06454364

# ELECTRICAL AND STARTING SYSTEM

## 579-2915 RELAY GP

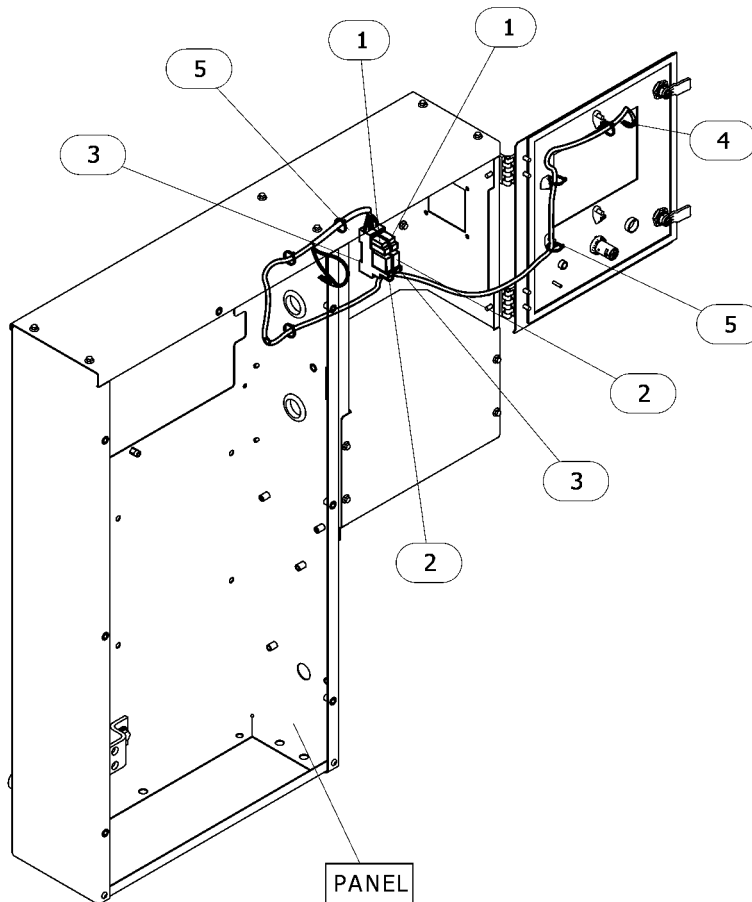
S/N: S341-UP  
AN ATTACHMENT

SMCS-1422, 4493

i07840031

NOTE	REF NO	GRAPHIC REF	PART NUMBER	QTY	PART NAME						SEE PAGE
					1	2	3	4	5	6 (PRODUCT LEVEL)	
	1	1	<b>336-8570</b>	2	DIODE						
	2	1	<b>352-2951</b>	2	RELAY (24-VOLT)						
	3	1	<b>352-2952</b>	2	BASE-RELAY						
	4	1	<b>579-3092</b>	1	HARNESS AS-ALARM						
B		1	<b>1S-9593</b>	11	STRAP-CABLE						
	5	1	<b>1S-9593</b>	7	STRAP-CABLE						

B - USE AS REQUIRED



GRAPHIC #1

<END>

g06456872

# ELECTRICAL AND STARTING SYSTEM

## 581-1930 RELAY GP-ACCESSORY

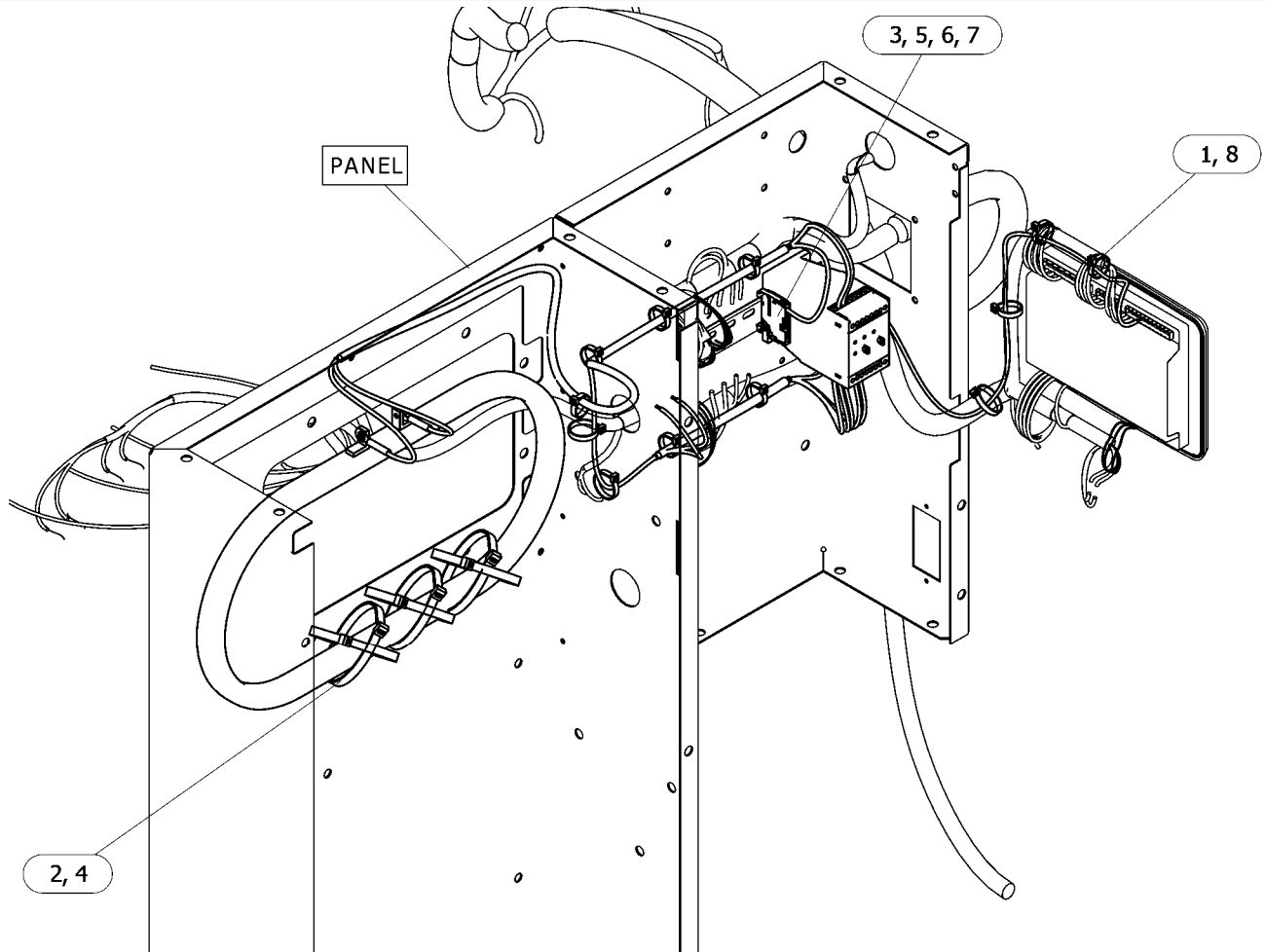
S/N: S341-UP  
AN ATTACHMENT

SMCS-4493

i07850343

NOTE	REF NO	GRAPHIC REF	PART NUMBER	QTY	PART NAME						SEE PAGE
					1	2	3	4	5	6	
	1	1	<b>3S-2093</b>	14	STRAP-CABLE						
	2	1	<b>7K-1181</b>	6	STRAP-CABLE						
	3	1	<b>301-8318</b>	1	COVER-END						
	4	1	<b>449-0537</b>	1	TRANSFORMER (RATIO 1:200)						
	5	1	<b>449-0781</b>	1	RELAY (24-VOLT) (GROUND FAULT)						
	6	1	<b>301-8317</b>	1	BLOCK-TERMINAL (800-VOLT, 24-AMPERE)						
	7	1	<b>374-5721</b>	1	CLIP-TERMINAL						
	8	1	<b>581-1932</b>	1	HARNESS AS-WIRING						
		1	<b>2L-8078</b>	2	TERMINAL-RING (14-GA TO 16-GA, 5/16-IN SCREW)						
E		1	<b>125-7874</b>		TUBE-HEAT SHRINK (5.72-MM DIA) (5-CM)						

E - ORDER BY THE CENTIMETER



GRAPHIC #1

<END>

g06459584

# ELECTRICAL AND STARTING SYSTEM

## 422-2054 SENSOR GP-COOLANT LEVEL

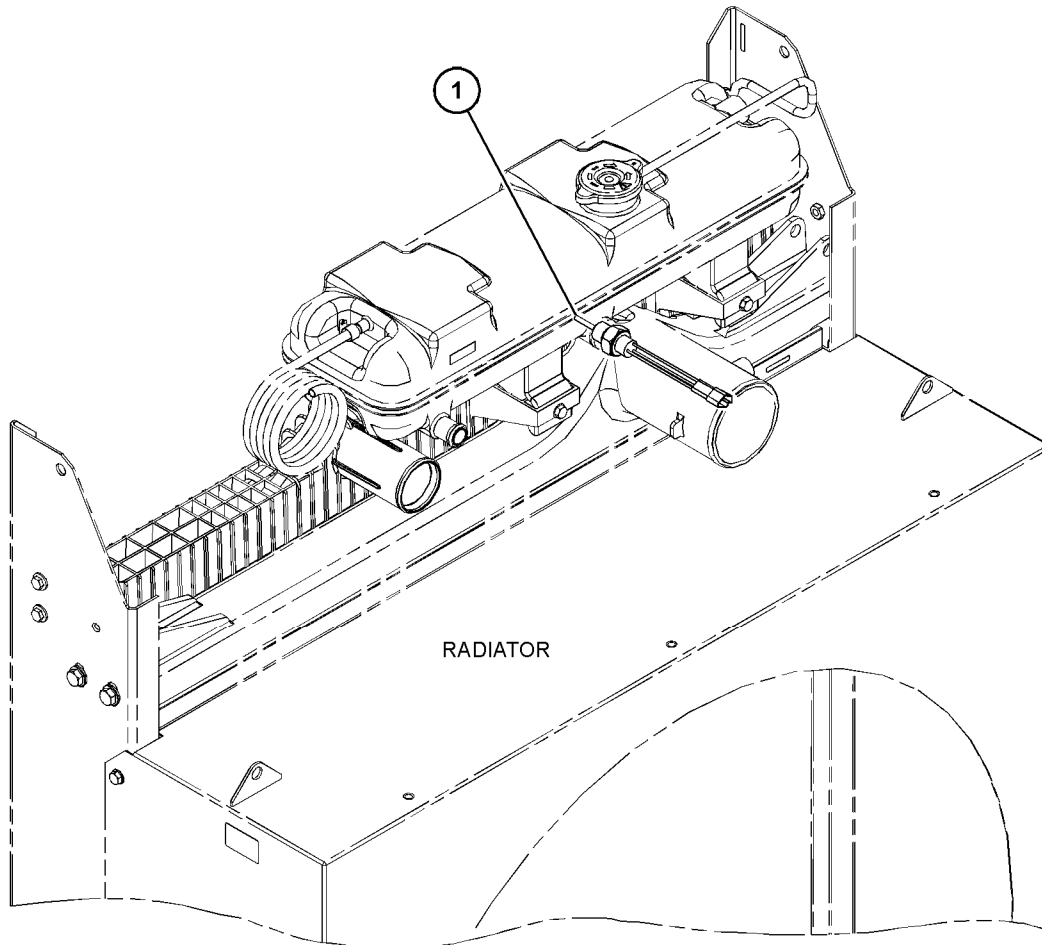
S/N: S341-UP

PART OF 463-2540 RADIATOR & AFTERCOOLER GP  
AN ATTACHMENT

SMCS-7422

i06950055

NOTE	REF NO	GRAPHIC REF	PART NUMBER	QTY	PART NAME						SEE PAGE
					1	2	3	4	5	6 (PRODUCT LEVEL)	
	1	1	<b>362-2913</b>	1	SENSOR AS-COOLANT LEVEL (COOLANT)						
		1	<b>8T-8729</b>	3	PIN-CONNECTOR (16-GA TO 20-GA)						
		1	<b>102-8803</b>	1	KIT-RECEPTACLE (3-PIN)						
(INCLUDES RECEPTACLE AS & WEDGE)											



GRAPHIC #1

<END>

g03451376

# ELECTRICAL AND STARTING SYSTEM

## 354-0042 SENSOR GP-ENGINE

S/N: PW31-UP

SMCS-1403, 1718, 1906, 1907, 1912, 1917, 1923, 1924,  
1925, 1928, 1929, 7400, 7422

**i06692258**

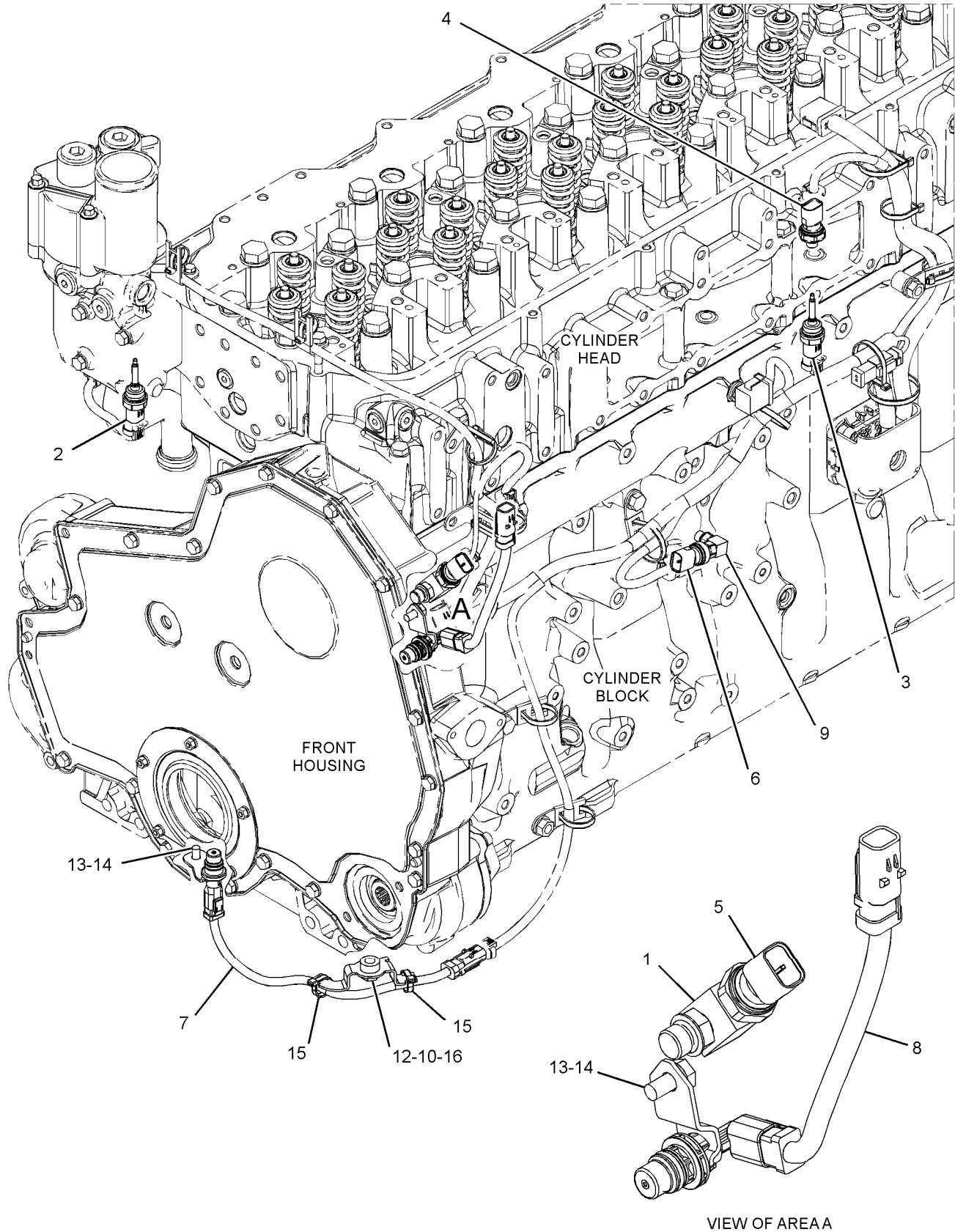
NOTE	REF NO	GRAPHIC REF	PART NUMBER	QTY	PART NAME	SEE PAGE
					1 2 3 4 5 6 (PRODUCT LEVEL)	
C	1	1	389-3713	1	ELBOW AS	
		1	<b>234-4355</b>	1	ADAPTER-O-RING	
		1	<b>214-7568</b>	1	SEAL-O-RING	
Y	2	1	234-5012	1	SENSOR GP-TEMPERATURE (COOLANT)	192
Y	3	1	234-5013	1	SENSOR GP-TEMPERATURE (INTAKE AIR MANIFOLD)	193
Y	4	1	249-0096	1	SENSOR GP-PRESSURE (INLET AIR)	187
Y	5	1	276-8548	1	SENSOR GP-PRESSURE (ATMOSPHERIC)	188
C	6	1	<b>274-6719</b>	1	SENSOR GP-PRESSURE (ENGINE OIL)	
Y	7	1	384-1836	1	SENSOR GP-SPEED (ENGINE SPEED)	191
Y	8	1	300-9806	1	SENSOR GP-SPEED (SECONDARY, TIMING)	190
C	9	1	364-8174	1	ELBOW AS	
		1	<b>117-0067</b>	1	ELBOW	
		1	<b>214-7566</b>	2	SEAL-O-RING	
C	10	1	<b>7W-9094</b>	1	SPACER (11X20X9-MM THK)	
C	12	1	<b>443-4151</b>	1	BRACKET	
M	13	1	<b>6V-5215</b>	2	BOLT (M8X1.25X16-MM)	
	14	1	<b>9M-1974</b>	2	WASHER-HARD (8.8X16X2-MM THK)	
	15	1	<b>3S-2093</b>	2	STRAP-CABLE	
M	16	1	<b>2Y-5829</b>	1	NUT (M10X1.5-THD)	

C - CHANGE FROM PREVIOUS TYPE  
M - METRIC PART  
Y - SEPARATE ILLUSTRATION

# ELECTRICAL AND STARTING SYSTEM

354-0042 SENSOR GP-ENGINE (contd.)

106692258



GRAPHIC #1

<END>

g03462064

# ELECTRICAL AND STARTING SYSTEM

## 249-0096 SENSOR GP-PRESSURE

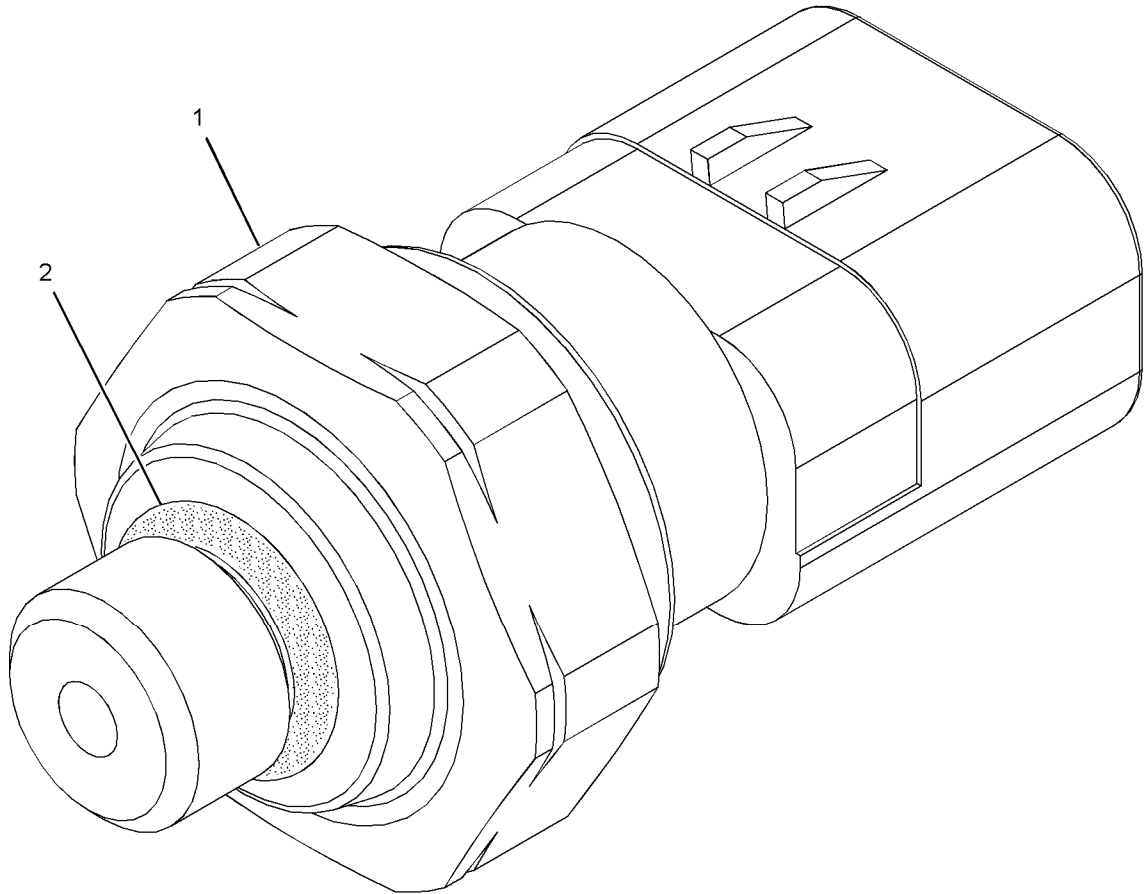
S/N: PW31-UP

PART OF 354-0042 SENSOR GP-ENGINE

SMCS-1718, 1916, 1917, 1923, 1924, 1925

i05536479

NOTE	REF NO	GRAPHIC REF	PART NUMBER	QTY	PART NAME						SEE PAGE
					1	2	3	4	5	6 (PRODUCT LEVEL)	
	1	1	<b>274-6718</b>	1	SENSOR GP-PRESSURE						
	2	1	<b>214-7566</b>	1	SEAL-O-RING						



GRAPHIC #1

<END>

g01224445



# ELECTRICAL AND STARTING SYSTEM

## 276-8548 SENSOR GP-PRESSURE

S/N: PW31-UP

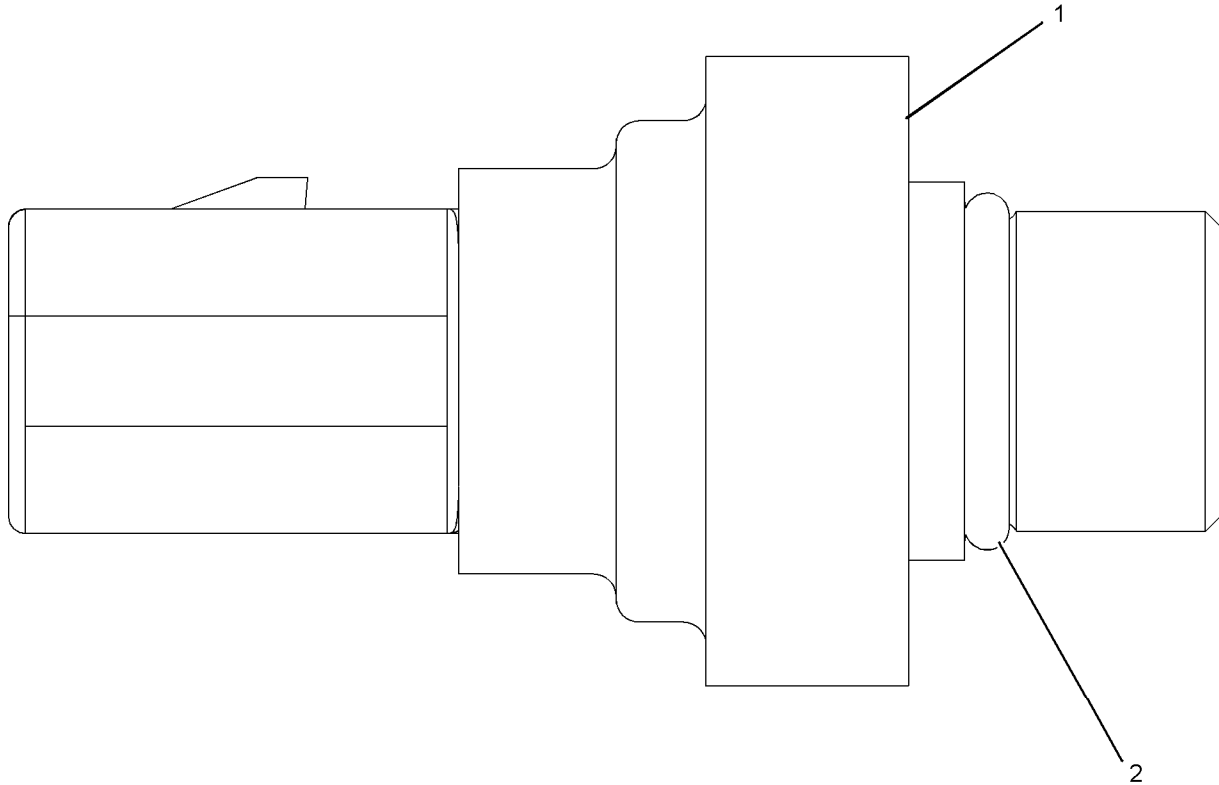
AMPSEAL CONNECTOR

PART OF 354-0042 SENSOR GP-ENGINE

SMCS-1718, 1916, 1917, 1923, 1924, 1925

i05536478

NOTE	REF NO	GRAPHIC REF	PART NUMBER	QTY	PART NAME						SEE PAGE
					1	2	3	4	5	6 (PRODUCT LEVEL)	
	1	1	<b>274-6717</b>	1	SENSOR-PRESSURE						
	2	1	<b>214-7568</b>	1	SEAL-O-RING						



GRAPHIC #1

<END>

g01064278

# ELECTRICAL AND STARTING SYSTEM

## 300-9805 SENSOR GP-SPEED

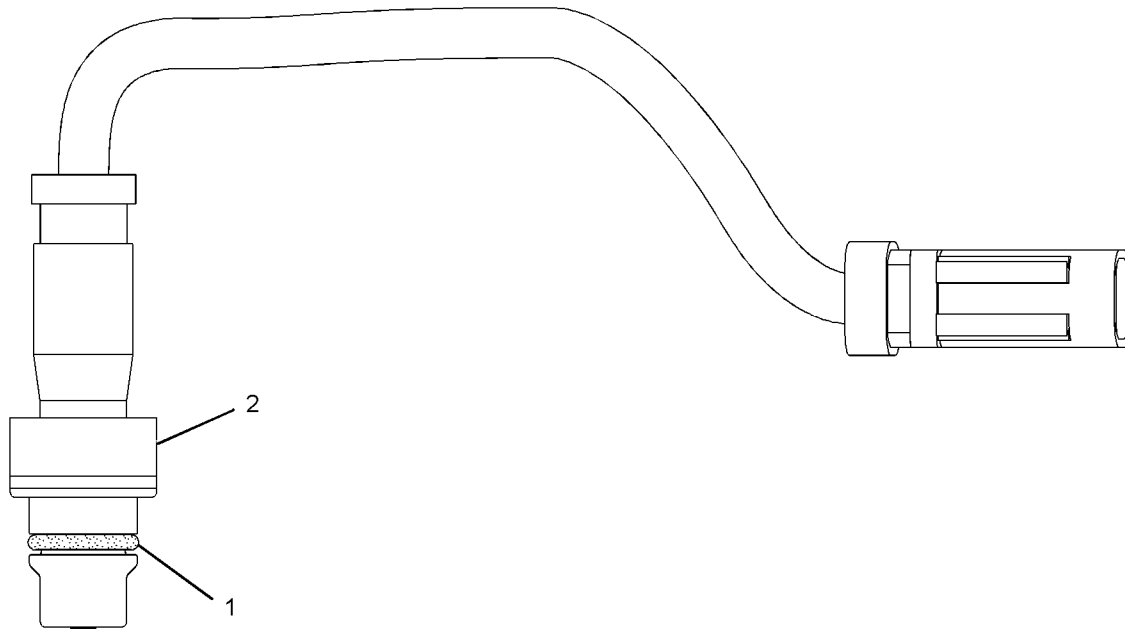
S/N: PW31-UP

PART OF 384-1836 SENSOR GP-SPEED

SMCS-1907

i07887744

NOTE	REF NO	GRAPHIC REF	PART NUMBER	QTY	PART NAME						SEE PAGE
					1	2	3	4	5	6 (PRODUCT LEVEL)	
	1	1	<b>228-4947</b>	1	SEAL-O-RING						
	2	1	<b>279-9828</b>	1	SENSOR GP-SPEED						



GRAPHIC #1

<END>

g02168513

# ELECTRICAL AND STARTING SYSTEM

## 300-9806 SENSOR GP-SPEED

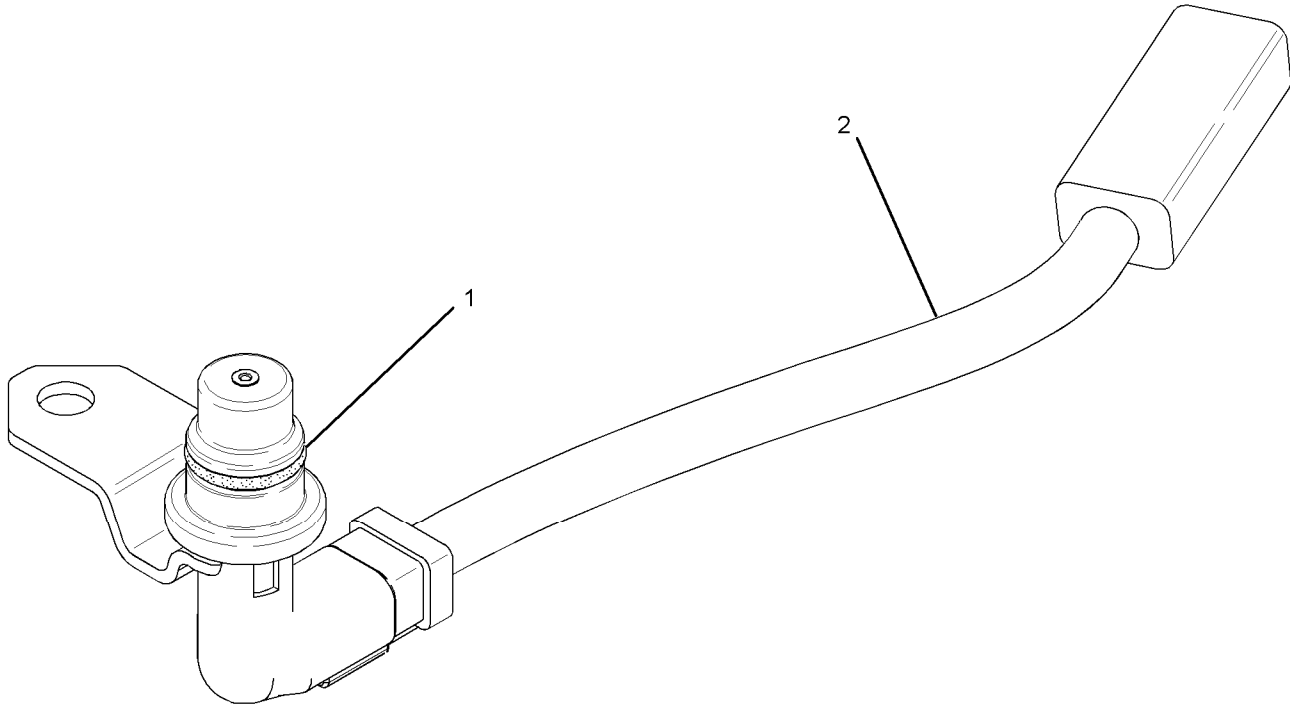
S/N: PW31-UP

PART OF 354-0042 SENSOR GP-ENGINE

SMCS-1907

i05529129

NOTE	REF NO	GRAPHIC REF	PART NUMBER	QTY	PART NAME						SEE PAGE
					1	2	3	4	5	6 (PRODUCT LEVEL)	
	1	1	<b>228-4947</b>	1	SEAL-O-RING						
	2	1	<b>279-9829</b>	1	SENSOR GP-SPEED						



GRAPHIC #1

<END>

g01333640

# ELECTRICAL AND STARTING SYSTEM

## 384-1836 SENSOR GP-SPEED

S/N: PW31-UP

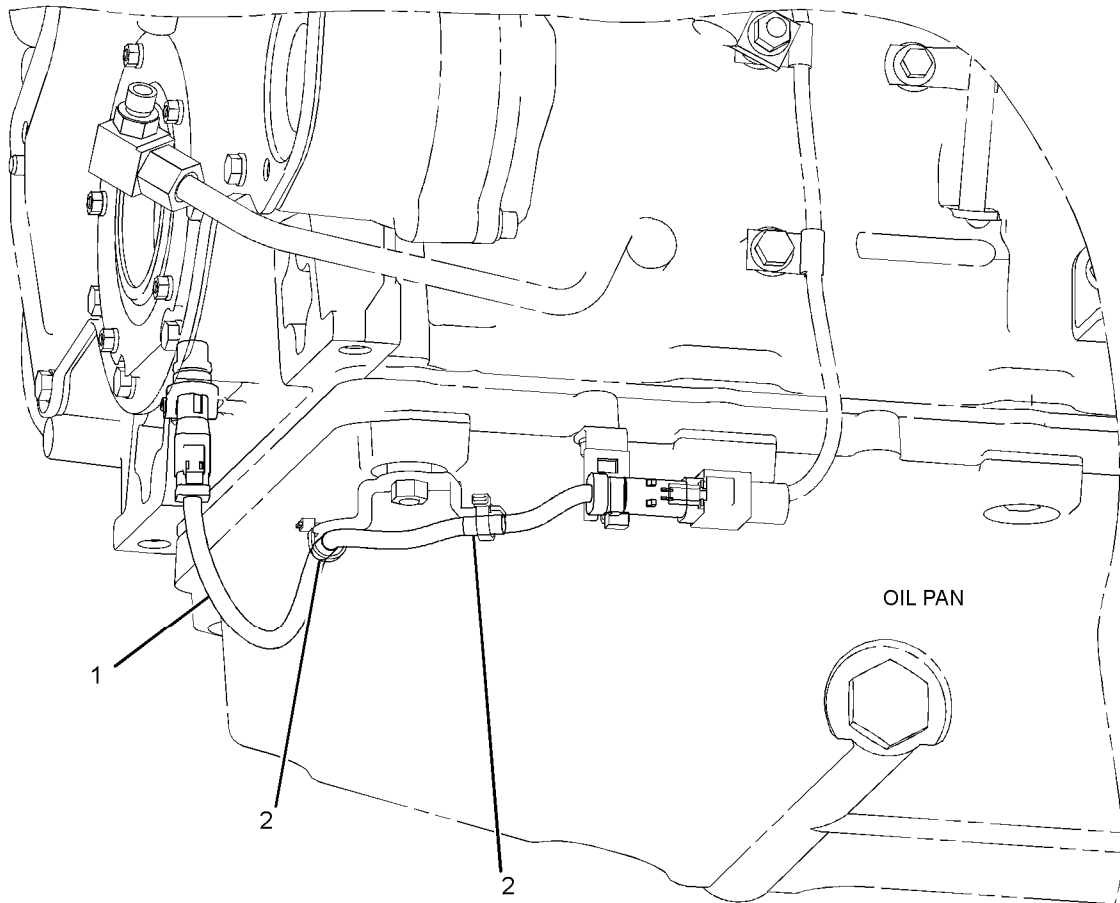
PART OF 354-0042 SENSOR GP-ENGINE

SMCS-1907

i05529131

NOTE	REF NO	GRAPHIC REF	PART NUMBER	QTY	PART NAME						SEE PAGE
					1	2	3	4	5	6 (PRODUCT LEVEL)	
Y	1	1	<b>300-9805</b>	1	SENSOR GP-SPEED						189
B	2	1	<b>1P-0810</b>		TAPE-ELECTRICAL (5-CM EACH)						

B - USE AS REQUIRED  
Y - SEPARATE ILLUSTRATION



GRAPHIC #1

<END>

g02888528

# ELECTRICAL AND STARTING SYSTEM

## 234-5012 SENSOR GP-TEMPERATURE

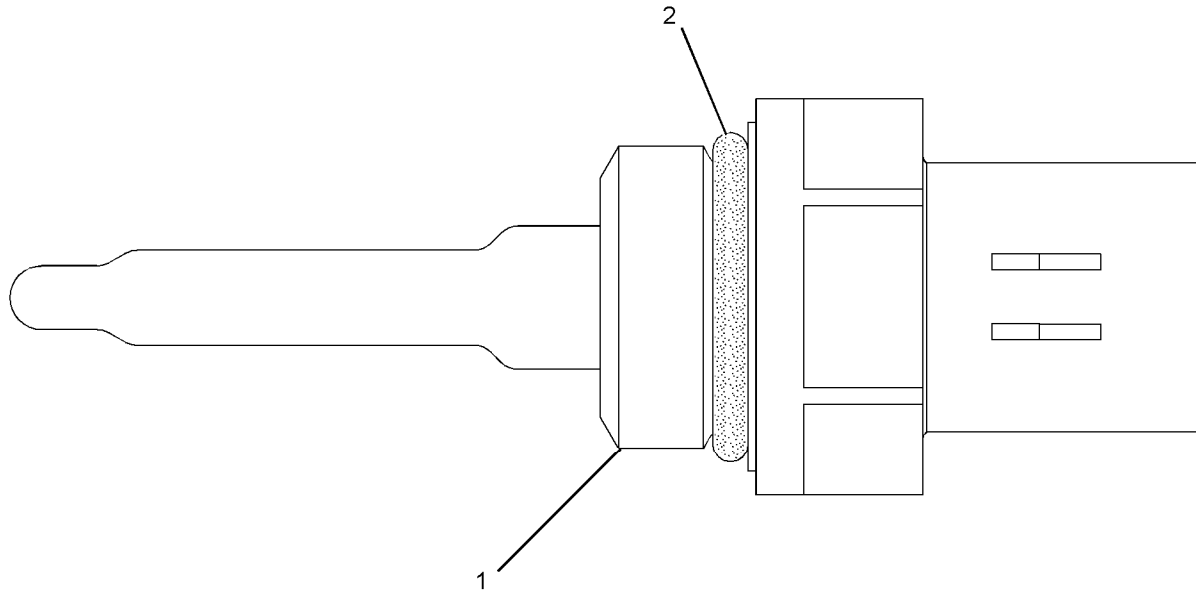
S/N: PW31-UP

PART OF 354-0042 SENSOR GP-ENGINE

SMCS-1906, 1919, 1921, 1922, 1928, 1929

i05506314

NOTE	REF NO	GRAPHIC REF	PART NUMBER	QTY	PART NAME						SEE PAGE
					1	2	3	4	5	6 (PRODUCT LEVEL)	
	1	1	<b>256-6453</b>	1	SENSOR-TEMPERATURE (2-PIN)						
	2	1	<b>6V-6609</b>	1	SEAL-O-RING						



GRAPHIC #1

<END>

g01164284

# ELECTRICAL AND STARTING SYSTEM

## 234-5013 SENSOR GP-TEMPERATURE

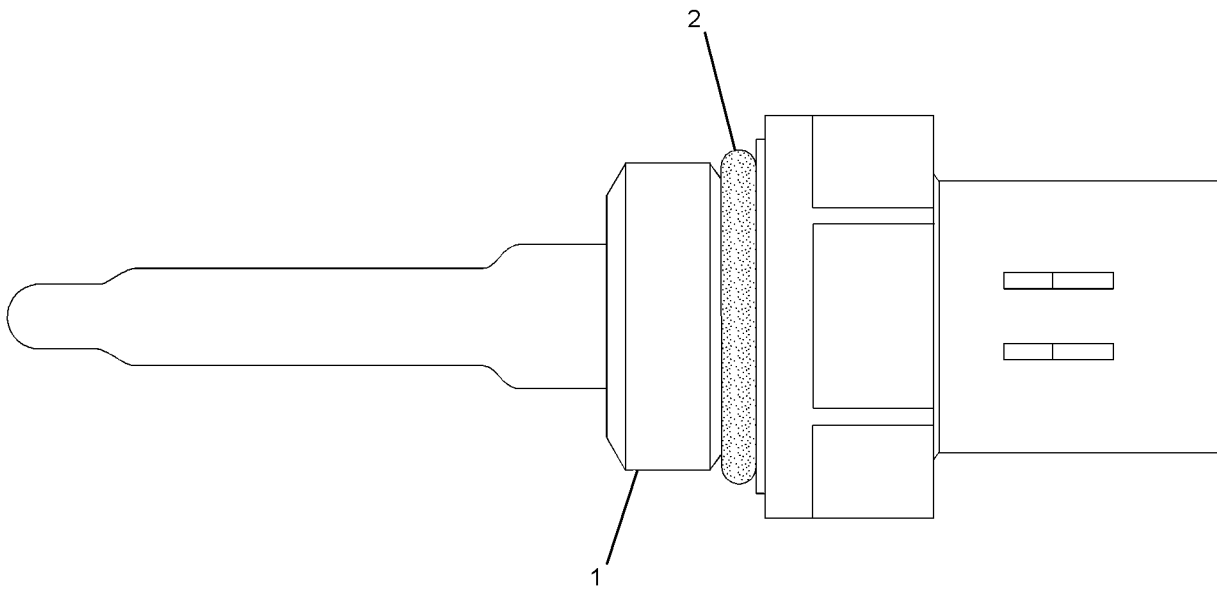
S/N: PW31-UP

PART OF 354-0042 SENSOR GP-ENGINE, 428-8529 WIRING GP-SENSOR

SMCS-1906, 1919, 1921, 1922, 1928, 1929

i05506315

NOTE	REF NO	GRAPHIC REF	PART NUMBER	QTY	PART NAME						SEE PAGE
					1	2	3	4	5	6 (PRODUCT LEVEL)	
	1	1	<b>256-6453</b>	1	SENSOR-TEMPERATURE (2-PIN)						
	2	1	<b>238-5080</b>	1	SEAL-O-RING						



GRAPHIC #1

<END>

g01164268

# ELECTRICAL AND STARTING SYSTEM

## 580-2208 SHUNT-TRIP

S/N: S341-UP

24-VOLT

AN ATTACHMENT

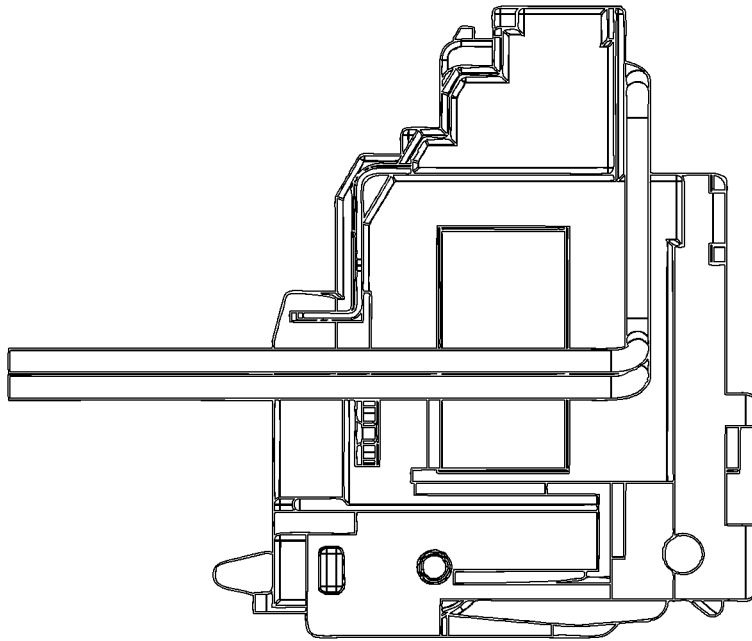
SMCS-1420, 4461

i07843842

NOTE	REF NO	GRAPHIC REF	PART NUMBER	QTY	PART NAME	SEE PAGE
------	--------	-------------	-------------	-----	-----------	----------

1 2 3 4 5 6 (PRODUCT LEVEL)

(NO SERVICED PARTS)



GRAPHIC #1

<END>

g06456510

# ELECTRICAL AND STARTING SYSTEM

## 390-0788 STARTING MOTOR GP-ELECTRIC

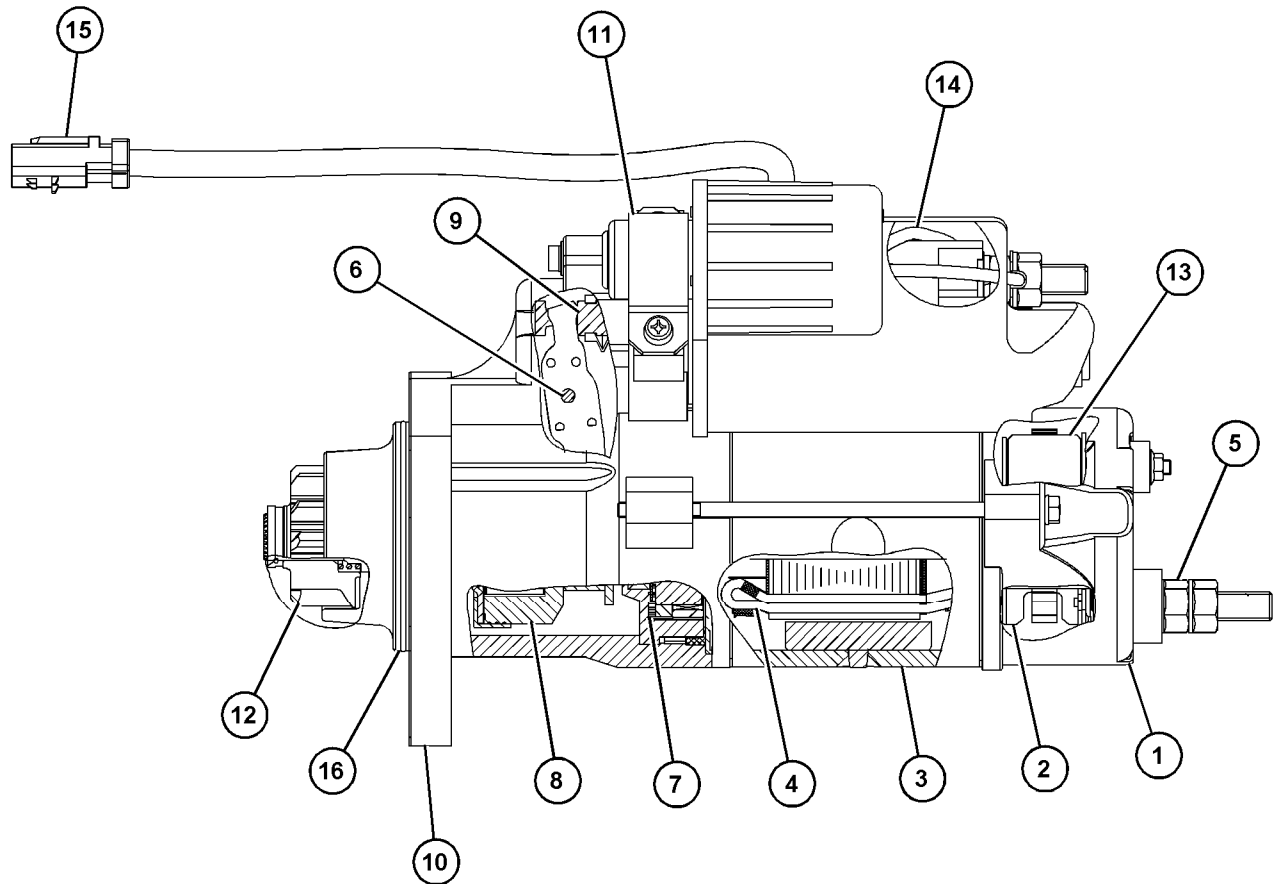
S/N: PW31-UP

PART OF 458-8811 STARTING MOTOR GP-ELECTRIC

SMCS-1453

i07837875

NOTE	REF NO	GRAPHIC REF	PART NUMBER	QTY	PART NAME						SEE PAGE
					1	2	3	4	5	6	
	1	1	<b>476-0541</b>	1	COVER AS-MOTOR						
	2	1	<b>462-1601</b>	1	HOLDER AS-BRUSH						
	3	1	<b>462-1602</b>	1	COIL AS-FIELD						
	4	1	<b>462-1603</b>	1	ROTOR AS-MAGNETIC						
	5	1	<b>462-1605</b>	1	HARDWARE GP						
	6	1	<b>462-1606</b>	1	LEVER AS-GOVERNOR						
	7	1	<b>462-1607</b>	1	GEAR AS-DRIVE						
	8	1	<b>462-1608</b>	1	STARTER-MOTOR						
	9	1	<b>462-1609</b>	1	SOLENOID AS-STARTING MOTOR						
	10	1	<b>462-1611</b>	1	HOUSING AS-DRIVE						
	11	1	<b>462-1613</b>	1	SWITCH						
	12	1	<b>462-1615</b>	1	PINION						
	13	1	<b>462-1616</b>	1	BRUSH						
	14	1	<b>462-1618</b>	1	WIRE AS-STARTING MOTOR						
	15	1	<b>230-4012</b>	1	RECEPTACLE AS-CONNECTOR (2-PIN)						
	16	1	<b>423-9049</b>	1	SEAL-O-RING						



GRAPHIC #1

<END>

g03860991



# ELECTRICAL AND STARTING SYSTEM

## 458-8811 STARTING MOTOR GP-ELECTRIC

S/N: PW31-UP

PART OF 434-3726 ENGINE AR-COMplete

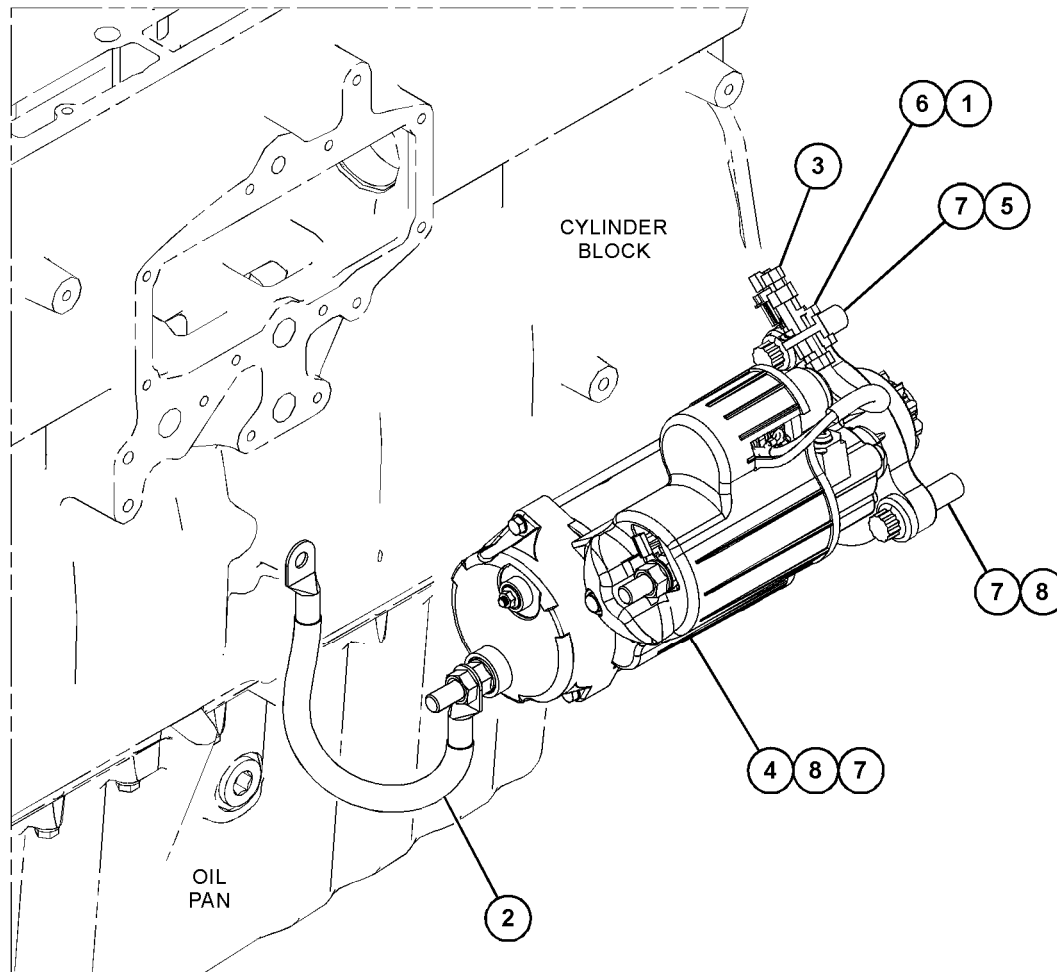
SMCS-1453

i07552813

NOTE	REF NO	GRAPHIC REF	PART NUMBER	QTY	PART NAME	SEE PAGE
					1 2 3 4 5 6 (PRODUCT LEVEL)	
	1	1	<b>3S-2093</b>	1	STRAP-CABLE	
	2	1	<b>8Y-9603</b>	1	CABLE AS-STARTING MOTOR	
		1	<b>1S-7251</b>	1	TERMINAL-CABLE (00-GA, 1/2-IN SCREW)	
		1	<b>1S-7252</b>	1	TERMINAL-CABLE (00-GA, 3/8-IN SCREW)	
E		1	<b>159-8050</b>		CABLE (00-GA, BLACK) (28-CM)	
	3	1	<b>278-8844</b>	1	PLUG AS-CONNECTOR	
		1	<b>8T-8737</b>	2	PLUG-SEAL	
		1	<b>230-4011</b>	1	PLUG AS-CONNECTOR (2-PIN)	
		1	<b>455-0704</b>	1	SEAL-CONNECTOR	
Y	4	1	<b>390-0788</b>	1	STARTING MOTOR GP-ELECTRIC	195
	5	1	<b>2S-0736</b>	1	WASHER-HARD (17X27X3.5-MM THK)	
	6	1	<b>4P-7582</b>	1	CLIP (LADDER)	
	7	1	<b>8S-2331</b>	3	BOLT-12 POINT HEAD (5/8-11X2-IN)	
	8	1	<b>9H-1024</b>	2	WASHER-HARD (17X30X6-MM THK)	

E - ORDER BY THE CENTIMETER

Y - SEPARATE ILLUSTRATION



GRAPHIC #1

<END>

g06004083

# ELECTRICAL AND STARTING SYSTEM

## 569-6150 STRIP GP-TERMINAL

S/N: S341-UP

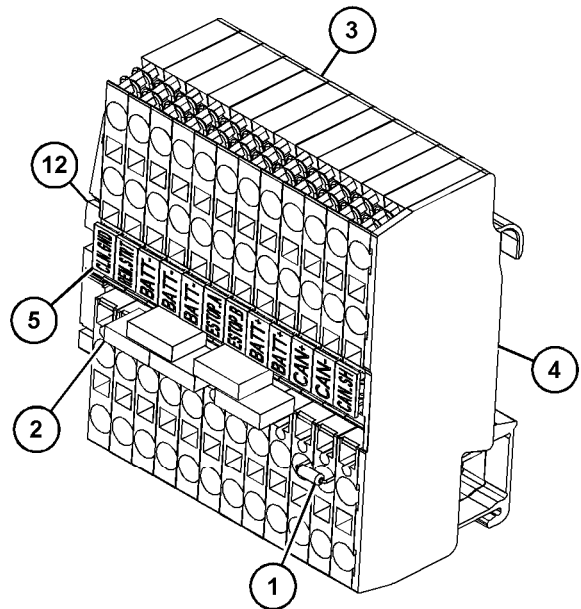
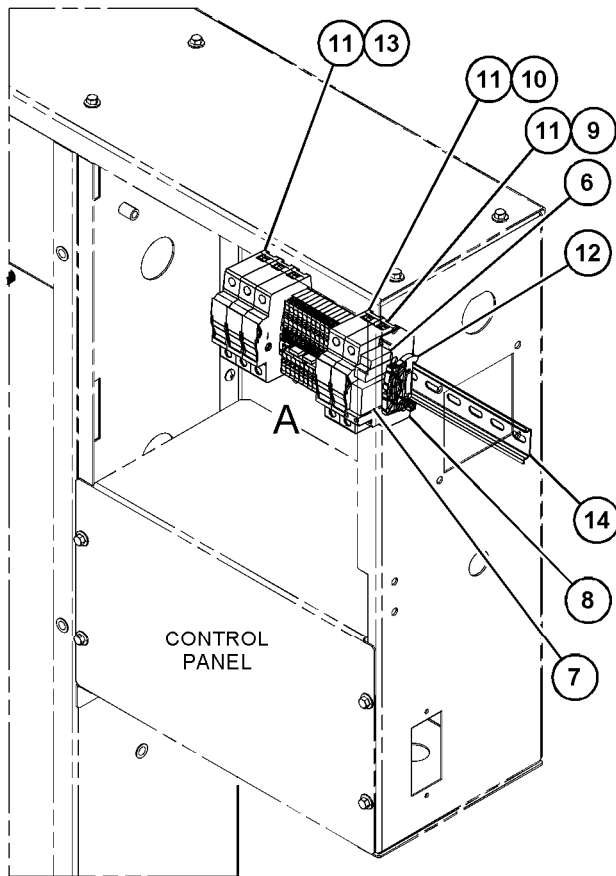
PART OF 569-6148 PANEL GP-CONTROL  
AN ATTACHMENT

SMCS-4460, 7426

i07867115

NOTE	REF NO	GRAPHIC REF	PART NUMBER	QTY	PART NAME						SEE PAGE
					1	2	3	4	5	6 (PRODUCT LEVEL)	
	1	1	<b>9W-2275</b>	1	RESISTOR (120-OHM)						
	2	1	<b>234-9425</b>	5	LINK (TERMINAL)						
	3	1	<b>301-8313</b>	12	BLOCK-TERMINAL (4-TERMINAL)						
	4	1	<b>301-8316</b>	1	COVER-END						
	5	1	<b>582-6199</b>	1	MARKER						
	6	1	<b>336-8570</b>	1	DIODE						
	7	1	<b>352-2951</b>	1	RELAY (24-VOLT)						
	8	1	<b>352-2952</b>	1	BASE-RELAY						
	9	1	<b>415-2232</b>	1	FUSE (25-AMPERE)						
	10	1	<b>422-6095</b>	1	FUSE (10-AMPERE)						
	11	1	<b>443-1279</b>	5	HOLDER-FUSE						
	12	1	<b>374-5721</b>	3	CLIP-TERMINAL						
	13	1	<b>7W-0482</b>	3	FUSE (2-AMPERE)						
E	14	1	<b>147-1960</b>		RAIL (33-CM)						

E - ORDER BY THE CENTIMETER



VIEW OF AREA A  
(PARTS REMOVED FOR CLARITY)

GRAPHIC #1

<END>

g06466514

# ELECTRICAL AND STARTING SYSTEM

## 571-0322 STRIP GP-TERMINAL

S/N: S341-UP

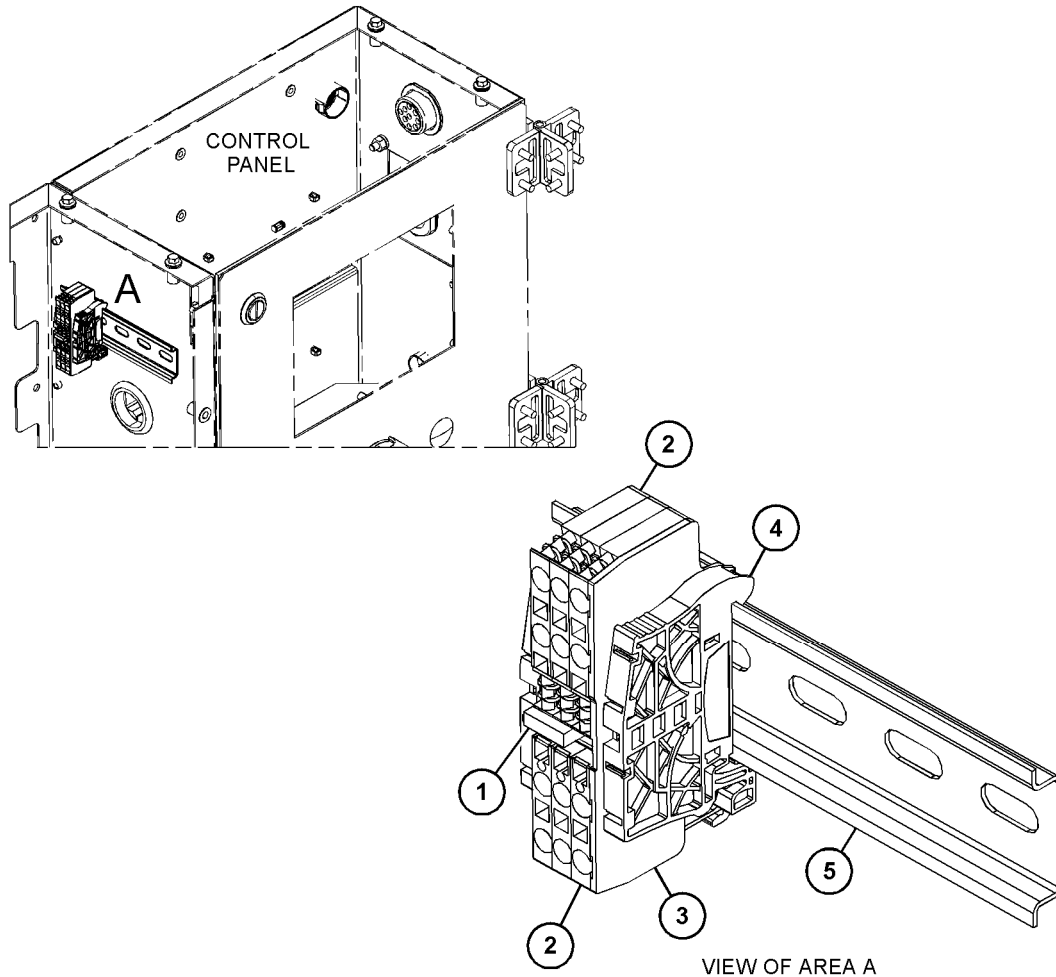
PART OF 569-6148 PANEL GP-CONTROL  
AN ATTACHMENT

SMCS-4460, 7426

i07867131

NOTE	REF NO	GRAPHIC REF	PART NUMBER	QTY	PART NAME						SEE PAGE
					1	2	3	4	5	6 (PRODUCT LEVEL)	
	1	1	<b>234-9425</b>	1	LINK (TERMINAL)						
	2	1	<b>301-8313</b>	3	BLOCK-TERMINAL (4-TERMINAL)						
	3	1	<b>301-8316</b>	1	COVER-END						
	4	1	<b>374-5721</b>	2	CLIP-TERMINAL						
E	5	1	<b>147-1960</b>		RAIL (13-CM)						

E - ORDER BY THE CENTIMETER



GRAPHIC #1

<END>

g06466377

# ELECTRICAL AND STARTING SYSTEM

## 579-0011 STRIP GP-TERMINAL

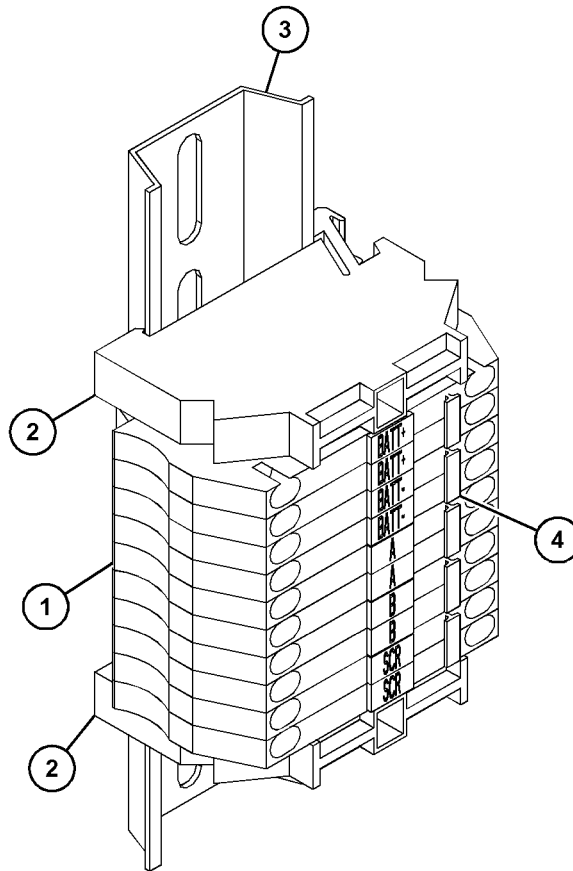
S/N: S341-UP  
PART OF 578-4983 ALARM GP  
AN ATTACHMENT

SMCS-4460, 7426

i07901591

NOTE	REF NO	GRAPHIC REF	PART NUMBER	QTY	PART NAME						SEE PAGE
					1	2	3	4	5	6 (PRODUCT LEVEL)	
	1	1	<b>314-9098</b>	10	BLOCK-TERMINAL (600-VOLT, 25-AMPERE)						
	2	1	<b>345-8835</b>	2	BLOCK-TERMINAL						
E	3	1	<b>147-1960</b>		RAIL (13-CM)						
	4	1	<b>444-4467</b>	5	JUMPER (CONNECTOR)						

E - ORDER BY THE CENTIMETER



GRAPHIC #1

<END>

g06475125

# ELECTRICAL AND STARTING SYSTEM

## 393-2409 SUPPORT GP-BATTERY

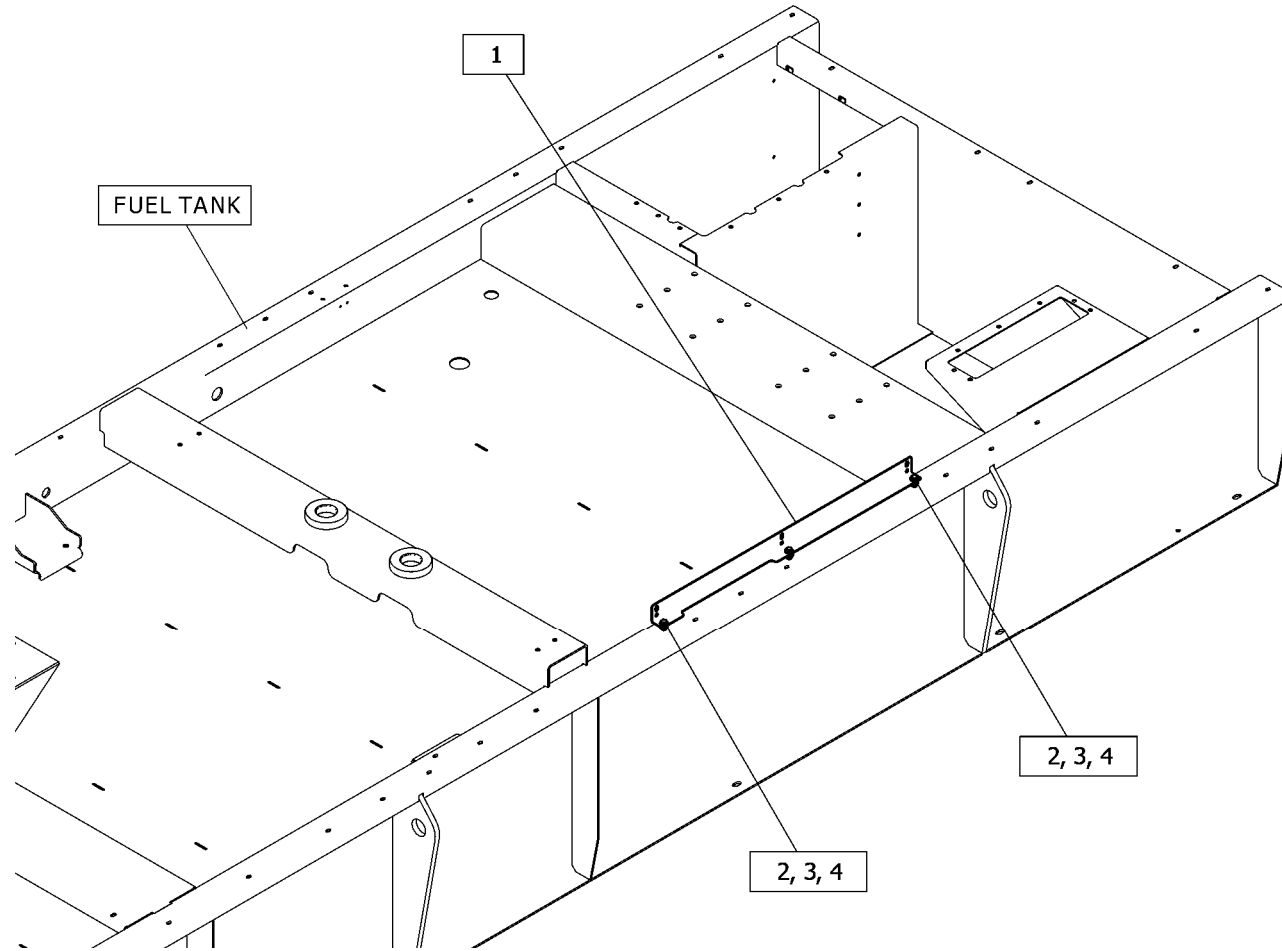
S/N: S341-UP  
AN ATTACHMENT

SMCS-7257

i07583048

NOTE	REF NO	GRAPHIC REF	PART NUMBER	QTY	PART NAME						SEE PAGE
					1	2	3	4	5	6 (PRODUCT LEVEL)	
	1	1	<b>393-2510</b>	1	SUPPORT-BATTERY						
	2	1	<b>7X-7729</b>	6	WASHER (11X25X3-MM THK)						
M	3	1	<b>8T-4133</b>	3	NUT (M10X1.5-THD)						
M	4	1	<b>8T-4195</b>	3	BOLT (M10X1.5X30-MM)						

M - METRIC PART



GRAPHIC #1

<END>

g06381111

# ELECTRICAL AND STARTING SYSTEM

## 424-7377 SUPPORT GP-BATTERY

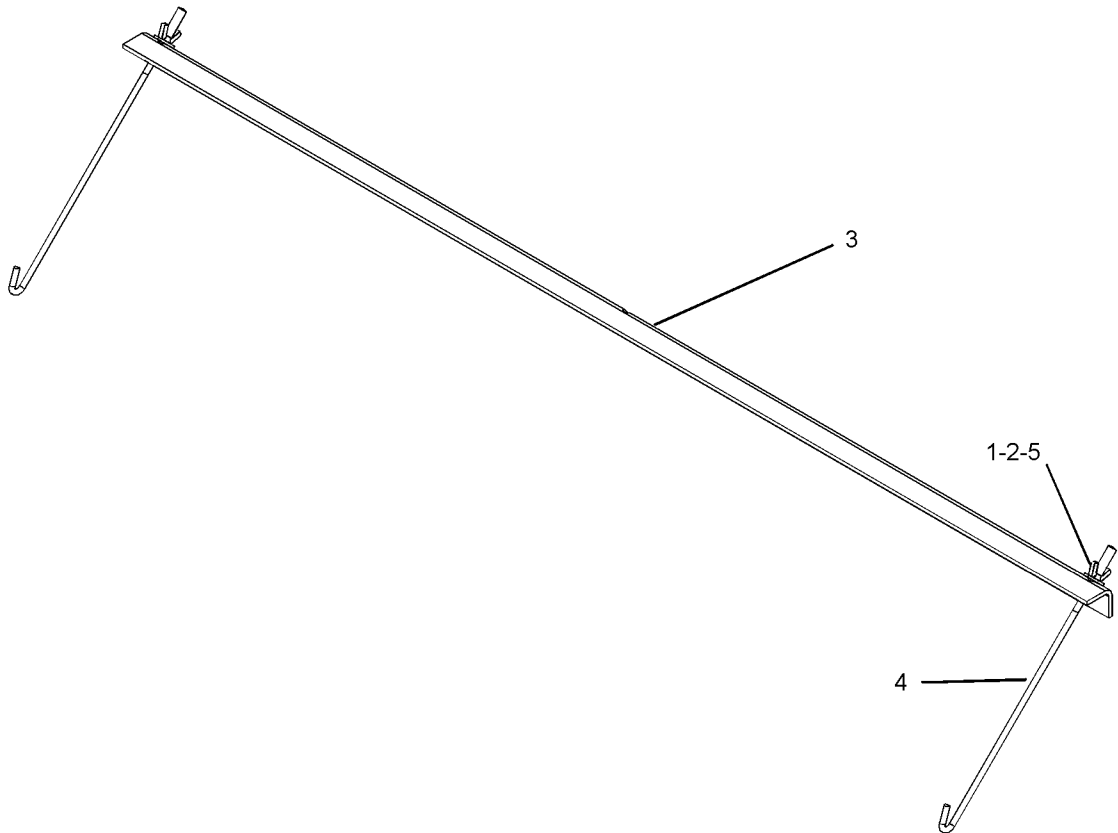
S/N: S341-UP  
AN ATTACHMENT

SMCS-7257

i06949916

NOTE	REF NO	GRAPHIC REF	PART NUMBER	QTY	PART NAME						SEE PAGE
					1	2	3	4	5	6 (PRODUCT LEVEL)	
	1	1	<b>3E-4096</b>	2	CAP						
M	2	1	<b>8T-2910</b>	2	NUT-WING (M6X1-THD)						
	3	1	<b>142-2457</b>	1	ANGLE						
M	4	1	<b>142-9459</b>	2	BOLT (M6X1X275-MM)						
	5	1	<b>5P-4115</b>	2	WASHER-HARD (7.2X19X2-MM THK)						

M - METRIC PART



GRAPHIC #1

<END>

g03592736

# ELECTRICAL AND STARTING SYSTEM

## 425-1381 SUPPORT GP-BATTERY

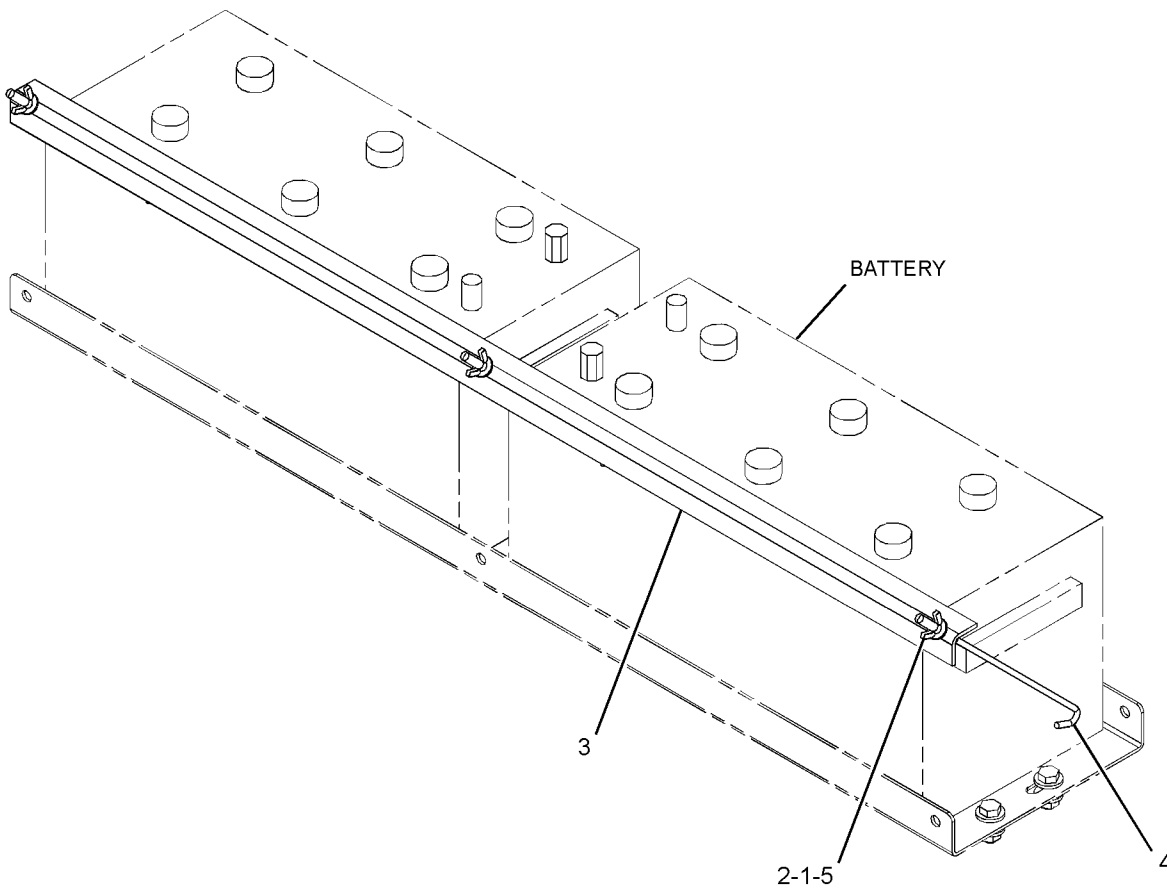
S/N: S341-UP  
AN ATTACHMENT

SMCS-7257

i06949918

NOTE	REF NO	GRAPHIC REF	PART NUMBER	QTY	PART NAME						SEE PAGE
					1	2	3	4	5	6 (PRODUCT LEVEL)	
	1	1	<b>3E-4096</b>	3	CAP						
M	2	1	<b>8T-2910</b>	3	NUT-WING (M6X1-THD)						
	3	1	<b>142-2457</b>	1	ANGLE						
	4	1	<b>142-2458</b>	3	BOLT						
	5	1	<b>5P-4115</b>	3	WASHER-HARD (7.2X19X2-MM THK)						

M - METRIC PART



GRAPHIC #1

<END>

g03429531

# ELECTRICAL AND STARTING SYSTEM

## 443-0296 SUPPORT GP-CABLE

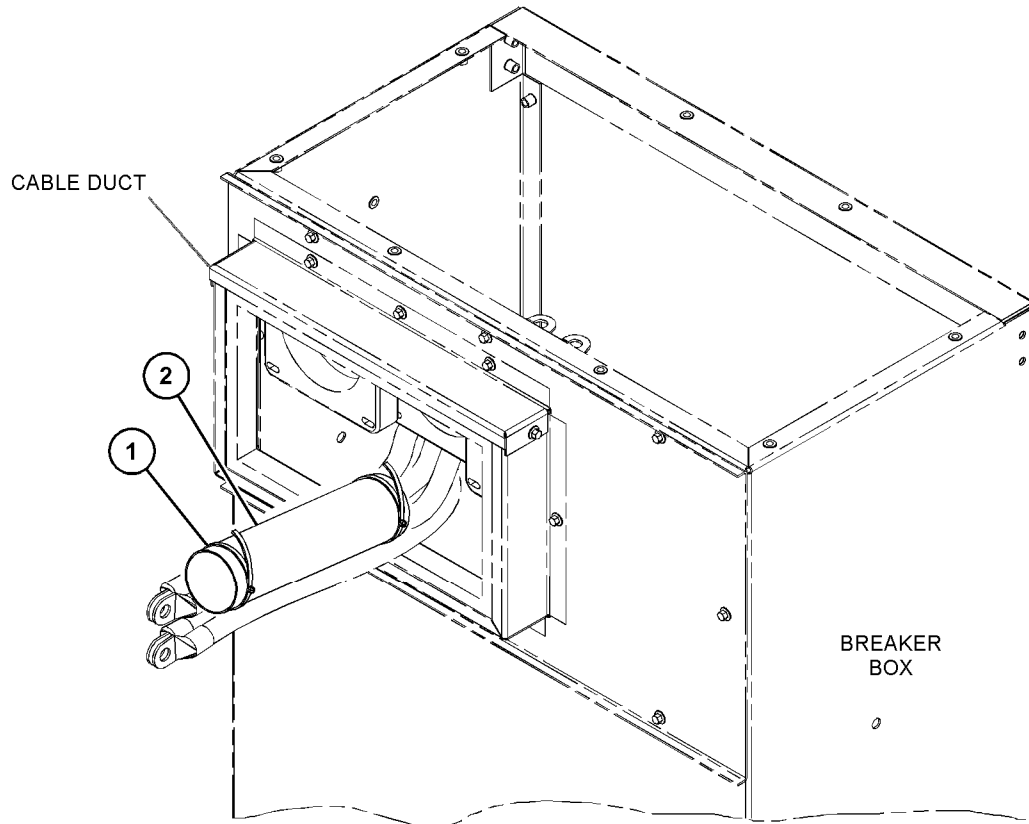
S/N: S341-UP  
AN ATTACHMENT

SMCS-0635, 4459

i07888608

NOTE	REF NO	GRAPHIC REF	PART NUMBER	QTY	PART NAME						SEE PAGE
					1	2	3	4	5	6 (PRODUCT LEVEL)	
	1	1	<b>7K-1181</b>	2	STRAP-CABLE						
J	2	1	<b>160-2249</b>		SLEEVE-ABRASION (10-IN)						

J - ORDER BY THE INCH



GRAPHIC #1

<END>

g03443499



# ELECTRICAL AND STARTING SYSTEM

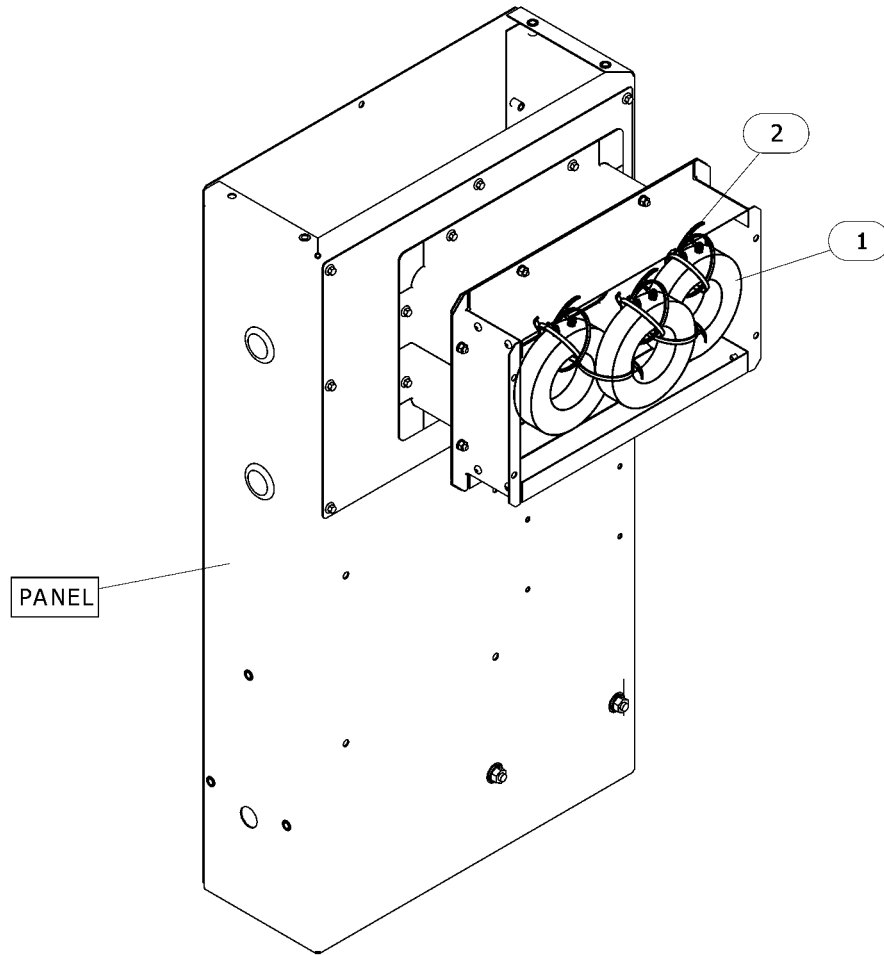
## 577-3500 TRANSFORMER GP

S/N: S341-UP  
1:120 RATIO  
AN ATTACHMENT

SMCS-1409

i07836409

NOTE	REF NO	GRAPHIC REF	PART NUMBER	QTY	PART NAME						SEE PAGE
					1	2	3	4	5	6 (PRODUCT LEVEL)	
	1	1	<b>577-3501</b>	3	TRANSFORMER (RATIO 1:120)						
	2	1	<b>7K-1181</b>	8	STRAP-CABLE						



GRAPHIC #1

<END>

g06455307

# ELECTRICAL AND STARTING SYSTEM

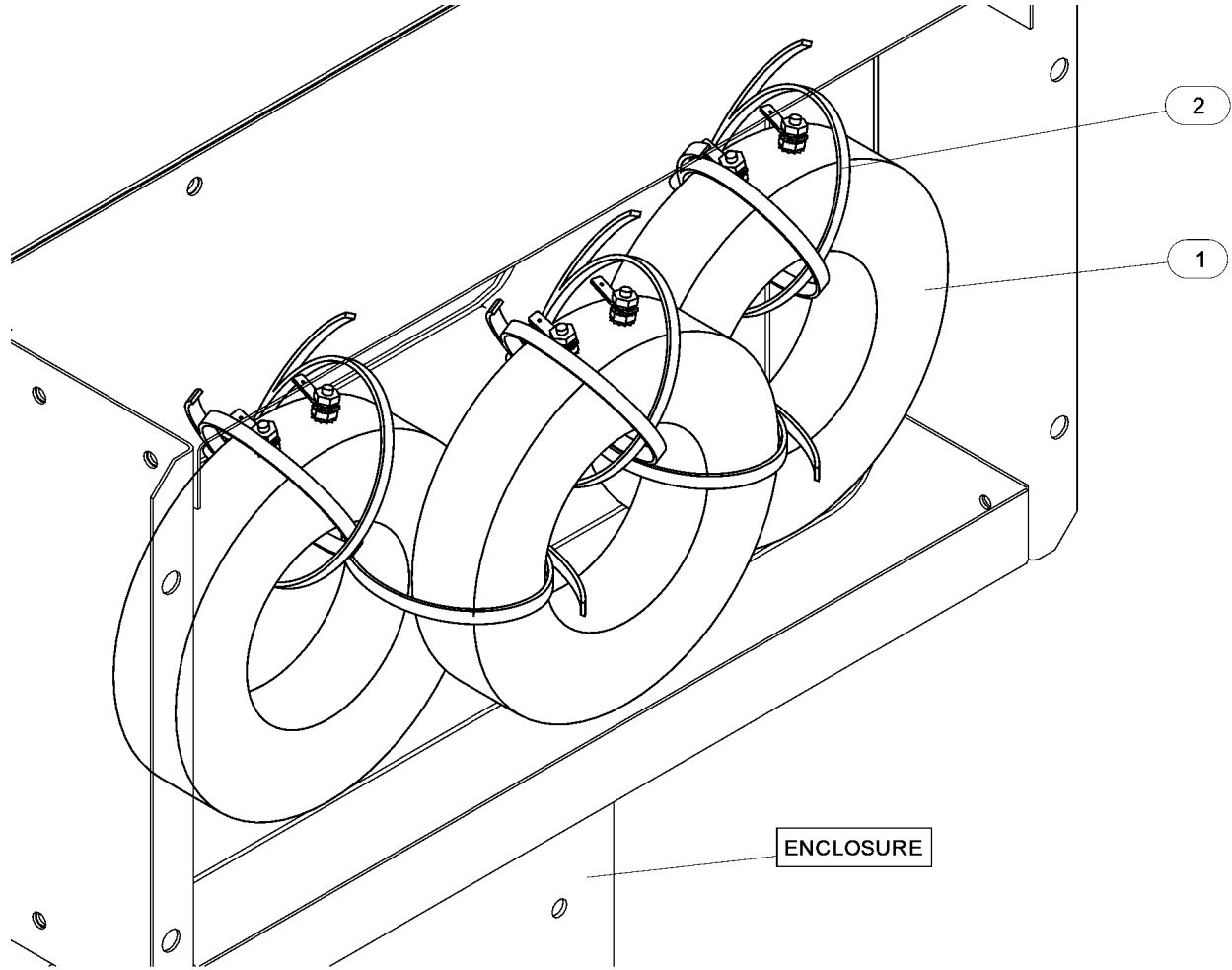
## 577-3502 TRANSFORMER GP

S/N: S341-UP  
1:160 RATIO  
AN ATTACHMENT

SMCS-1409

i07836528

NOTE	REF NO	GRAPHIC REF	PART NUMBER	QTY	PART NAME						SEE PAGE
					1	2	3	4	5	6 (PRODUCT LEVEL)	
	1	1	<b>577-3503</b>	3	TRANSFORMER (RATIO 1:160)						
	2	1	<b>7K-1181</b>	8	STRAP-CABLE						



GRAPHIC #1

<END>

g06457995

# ELECTRICAL AND STARTING SYSTEM

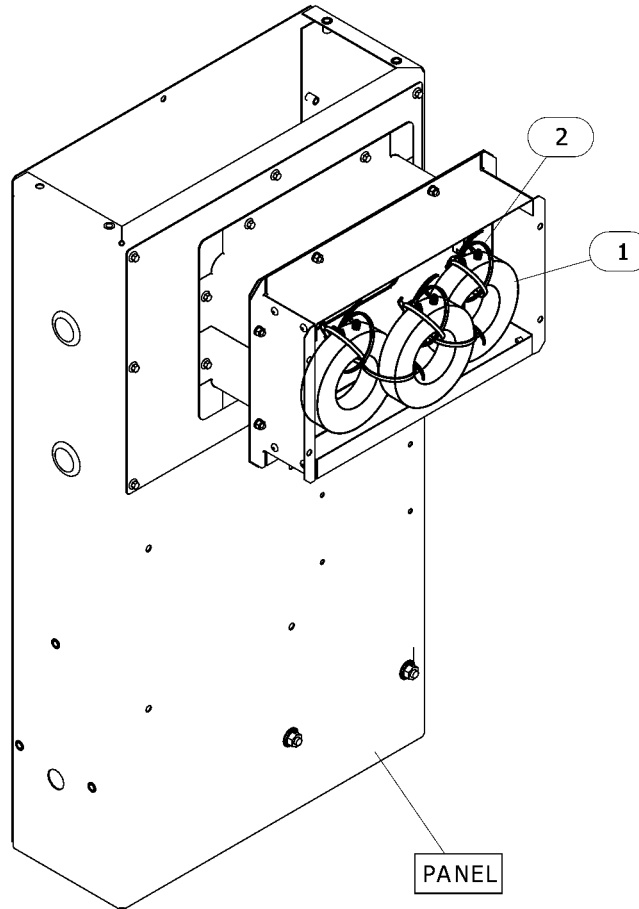
## 577-3504 TRANSFORMER GP

S/N: S341-UP  
1:200 RATIO  
AN ATTACHMENT

SMCS-1409

i07836543

NOTE	REF NO	GRAPHIC REF	PART NUMBER	QTY	PART NAME						SEE PAGE
					1	2	3	4	5	6 (PRODUCT LEVEL)	
	1	1	<b>577-3505</b>	3	TRANSFORMER						
	2	1	<b>7K-1181</b>	8	STRAP-CABLE						



GRAPHIC #1

<END>

g06455570

# ELECTRICAL AND STARTING SYSTEM

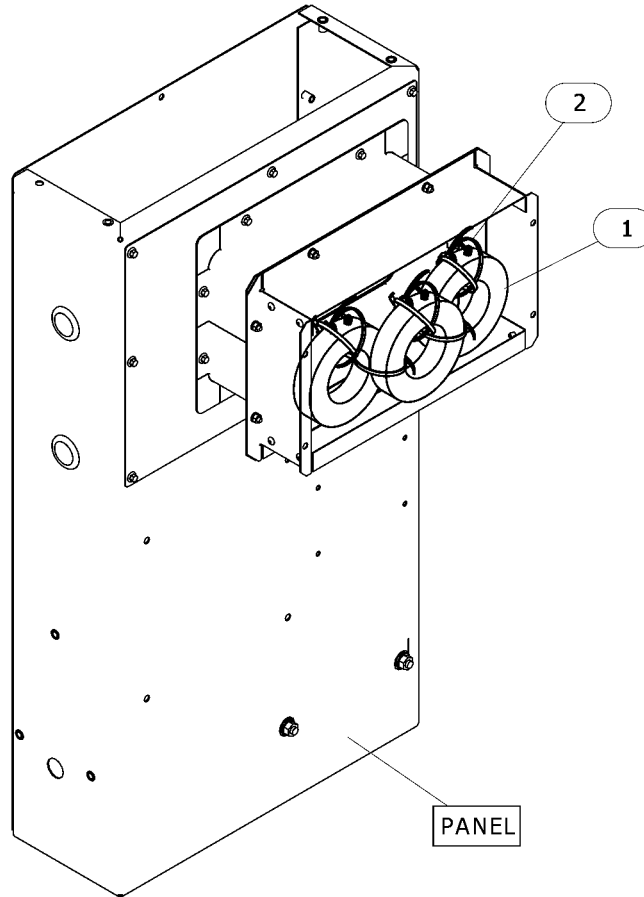
## 577-3506 TRANSFORMER GP

S/N: S341-UP  
1:300 RATIO  
AN ATTACHMENT

SMCS-1409

i07836554

NOTE	REF NO	GRAPHIC REF	PART NUMBER	QTY	PART NAME						SEE PAGE
					1	2	3	4	5	6 (PRODUCT LEVEL)	
	1	1	577-3507	3	TRANSFORMER (RATIO 1:300)						
	2	1	7K-1181	8	STRAP-CABLE						



GRAPHIC #1

<END>

g06456465

# ELECTRICAL AND STARTING SYSTEM

## 580-1906 WIRING GP-COMMUNICATION

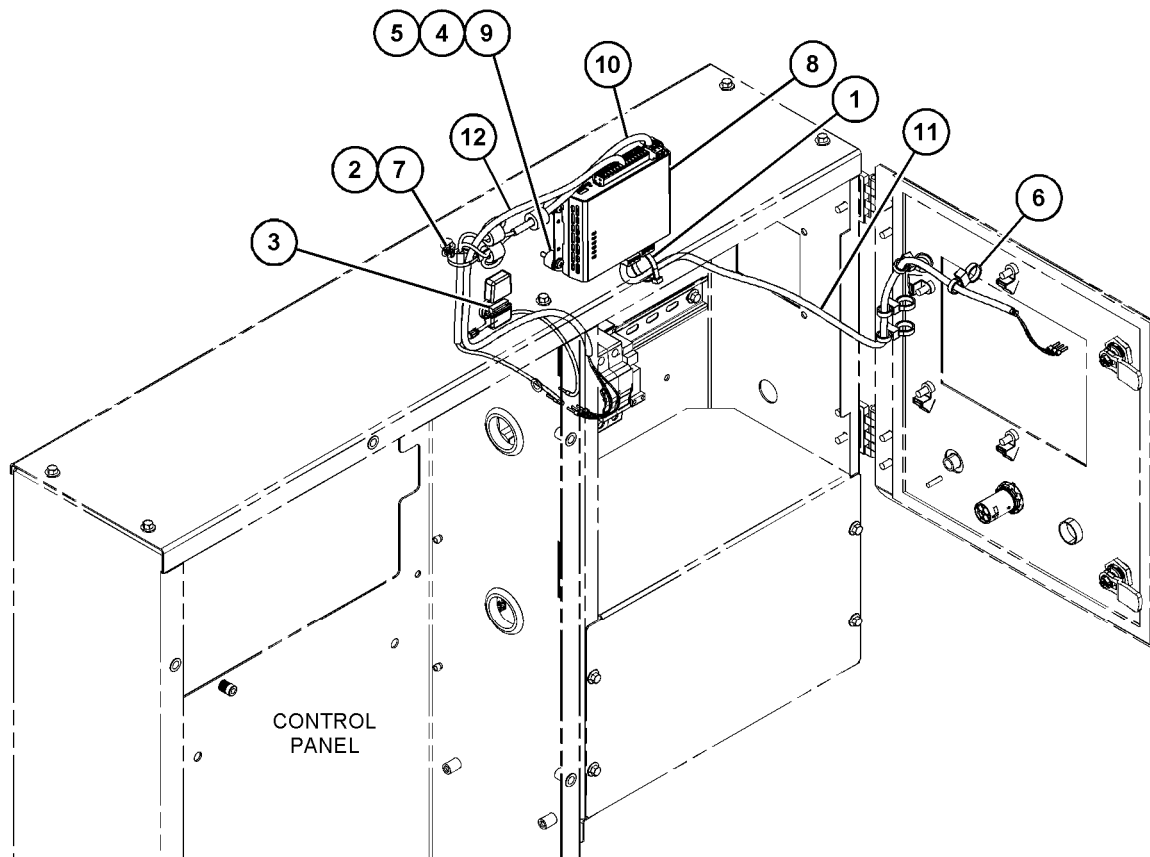
S/N: S341-UP  
AN ATTACHMENT

SMCS-1408, 1901

i07876747

NOTE	REF NO	GRAPHIC REF	PART NUMBER	QTY	PART NAME						SEE PAGE
					1	2	3	4	5	6 (PRODUCT LEVEL)	
	1	1	<b>3S-2093</b>	1	STRAP-CABLE						
	2	1	<b>8L-8413</b>	1	STRAP-CABLE (WHITE)						
	3	1	<b>139-5345</b>	1	FUSE (5-AMPERE)						
M	4	1	<b>095-7930</b>	4	SCREW-MACHINE (M4X0.7X6-MM)						
	5	1	<b>1H-4393</b>	4	LOCKWASHER						
	6	1	<b>268-1007</b>	4	STRAP-CABLE						
	7	1	<b>349-6808</b>	1	MOUNT						
Y	8	1	<b>491-7589</b>	1	CONTROL GP-ELECTRONIC						160
	9	1	<b>502-6405</b>	4	BUSHING						
Y	10	1	<b>577-3930</b>	1	HARNESS AS-CONTROL (POWER)						166
Y	11	1	<b>577-8429</b>	1	HARNESS AS-CONTROL (MODBUS)						167
Y	12	1	<b>586-4861</b>	1	HARNESS AS-CONTROL (CAN BUS)						167

M - METRIC PART  
Y - SEPARATE ILLUSTRATION



GRAPHIC #1

<END>

g06466442

# ELECTRICAL AND STARTING SYSTEM

## 581-0525 WIRING GP-CONTROL

S/N: S341-UP  
BATTERY CHARGER  
AN ATTACHMENT

SMCS-1408

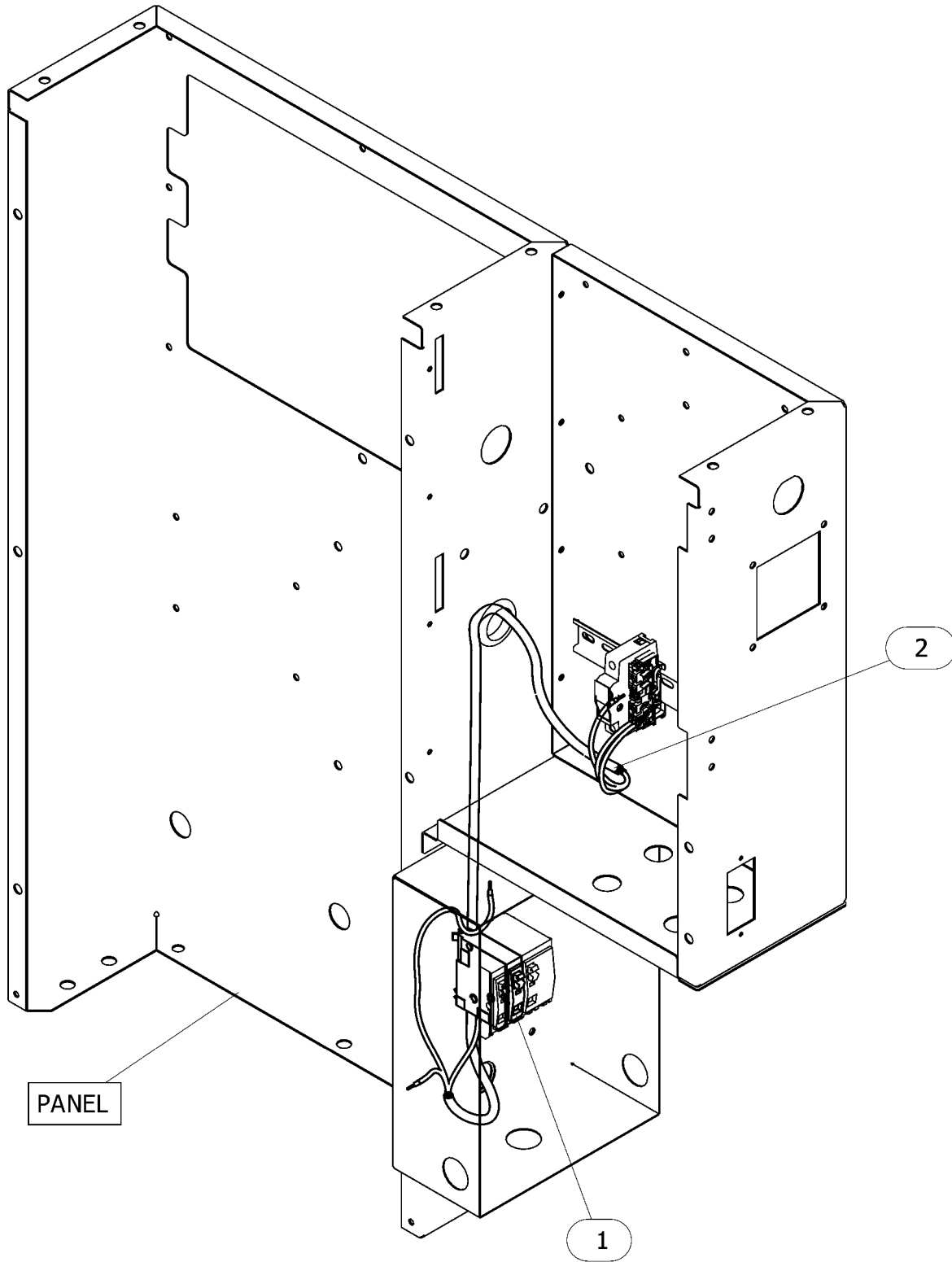
i07849806

NOTE	REF NO	GRAPHIC REF	PART NUMBER	QTY	PART NAME						SEE PAGE
					1	2	3	4	5	6 (PRODUCT LEVEL)	
	1	1	508-6697	1	CIRCUIT BREAKER GP (20-AMPERE)						
	2	1	581-0536	1	HARNESS AS-POWER						
		1	112-7497	6	END-WIRE (14-GA)						

# ELECTRICAL AND STARTING SYSTEM

581-0525 WIRING GP-CONTROL (contd.)

107849806



GRAPHIC #1

<END>

g06459585

# ELECTRICAL AND STARTING SYSTEM

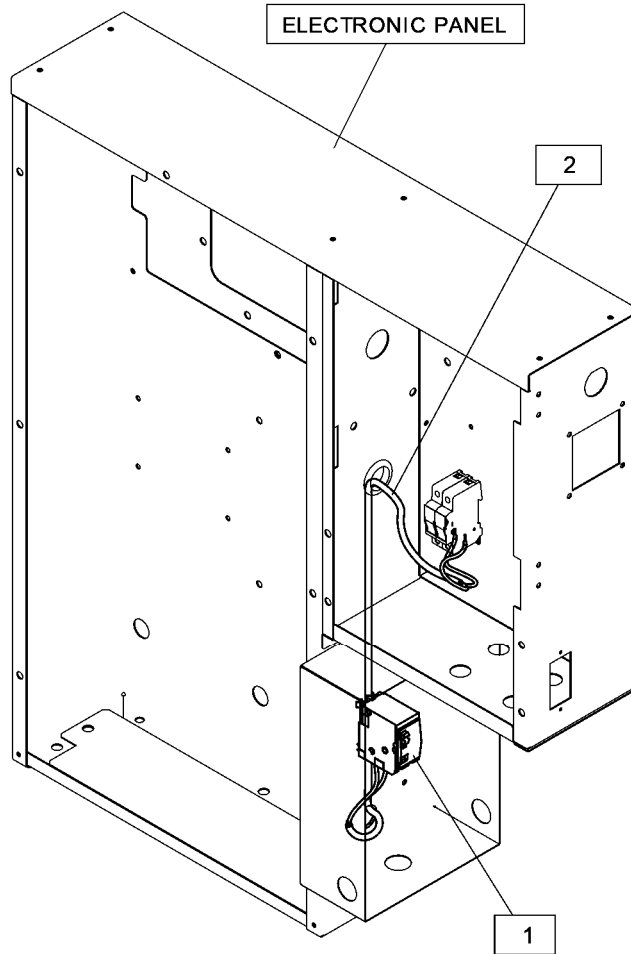
## 581-0527 WIRING GP-CONTROL

S/N: S341-UP  
AN ATTACHMENT

SMCS-1408

i07849893

NOTE	REF NO	GRAPHIC REF	PART NUMBER	QTY	PART NAME						SEE PAGE
					1	2	3	4	5	6 (PRODUCT LEVEL)	
	1	1	<b>577-8557</b>	1	CIRCUIT BREAKER GP (20-AMPERE, 2-POLE)						
	2	1	<b>581-0537</b>	1	HARNESS AS-POWER						
		1	<b>112-7497</b>	4	END-WIRE (14-GA)						



GRAPHIC #1

<END>

g06459694



# ELECTRICAL AND STARTING SYSTEM

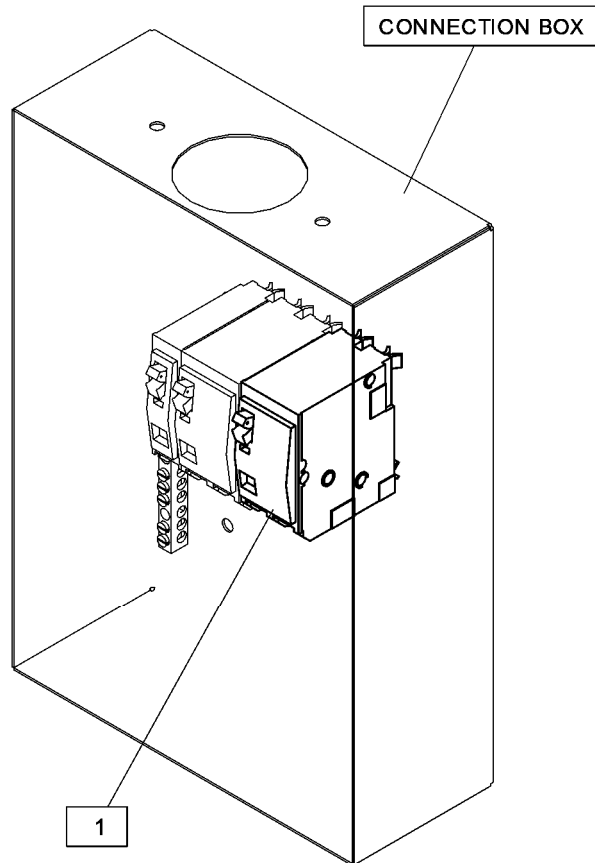
## 581-0530 WIRING GP-CONTROL

S/N: S341-UP  
AN ATTACHMENT

SMCS-1408

i07850328

NOTE	REF NO	GRAPHIC REF	PART NUMBER	QTY	PART NAME						SEE PAGE
					1	2	3	4	5	6 (PRODUCT LEVEL)	
	1	1	577-8557	1	CIRCUIT BREAKER GP (20-AMPERE, 2-POLE)						



GRAPHIC #1

<END>

g06459688

# ELECTRICAL AND STARTING SYSTEM

## 428-7733 WIRING GP-ELECTRONIC CONTROL

S/N: PW31-UP

PART OF 434-3726 ENGINE AR-COMplete

SMCS-1408, 1900

i05245857

NOTE	REF NO	GRAPHIC REF	PART NUMBER	QTY	PART NAME						SEE PAGE
					1	2	3	4	5	6 (PRODUCT LEVEL)	
	1	1	<b>3S-2093</b>	15	STRAP-CABLE						
Y	2	1	<b>385-2664</b>	1	HARNESS AS-ENGINE						168
	3	1	<b>132-5789</b>	3	CLIP (LADDER)						
	4	1	<b>156-6175</b>	2	CLIP (LADDER)						
M	5	1	<b>176-9237</b>	1	BOLT-SPECIAL (M10X1.5-THD)						
M	6	1	<b>2Y-5829</b>	2	NUT (M10X1.5-THD)						
	7	1	<b>352-3968</b>	1	CLIP (LADDER)						
	8	1	<b>352-3970</b>	1	CLIP (LADDER)						
	9	1	<b>4P-7581</b>	3	CLIP (LADDER)						
	10	1	<b>4P-8134</b>	1	CLIP (LADDER)						
	11	1	<b>5P-9085</b>	1	CLIP (LOOP)						
M	12	1	<b>6V-3918</b>	1	BOLT (M8X1.25X50-MM)						
	13	1	<b>6V-5839</b>	8	WASHER (11X21X2.5-MM THK)						
M	14	1	<b>6V-8212</b>	5	BOLT (M10X1.5X16-MM)						
M	15	1	<b>6V-8836</b>	2	BOLT (M6X1X14-MM)						
	16	1	<b>9M-1974</b>	2	WASHER-HARD (8.8X16X2-MM THK)						
M	17	1	<b>9X-2097</b>	1	STUD (M8X1.25-THD)						
	18	1	<b>9X-8267</b>	2	WASHER (6.6X12X2-MM THK)						

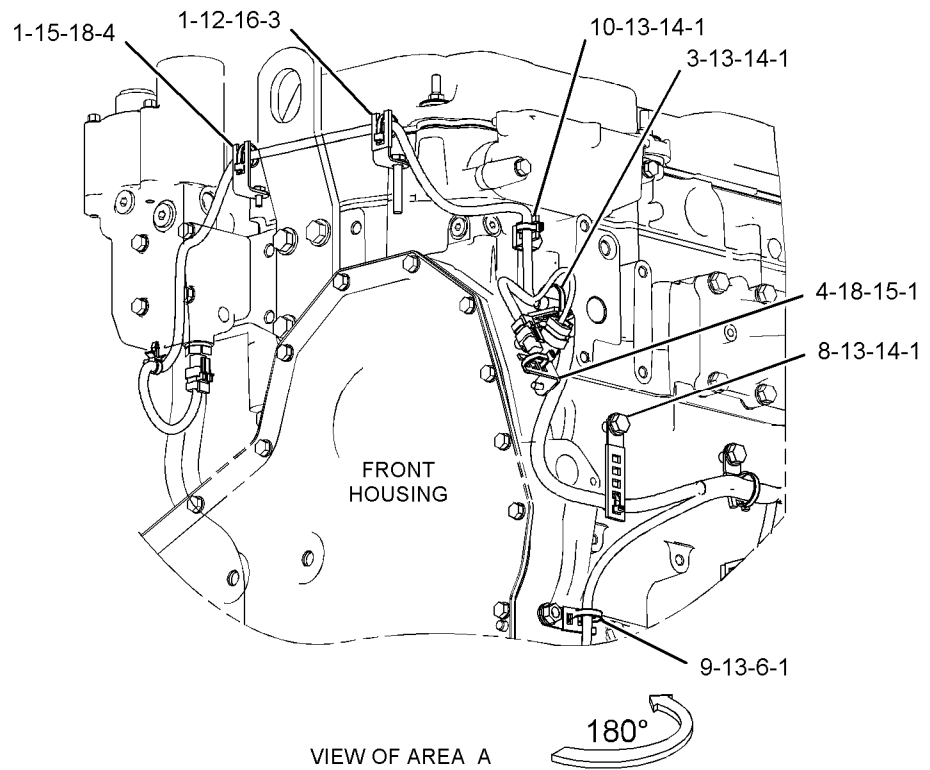
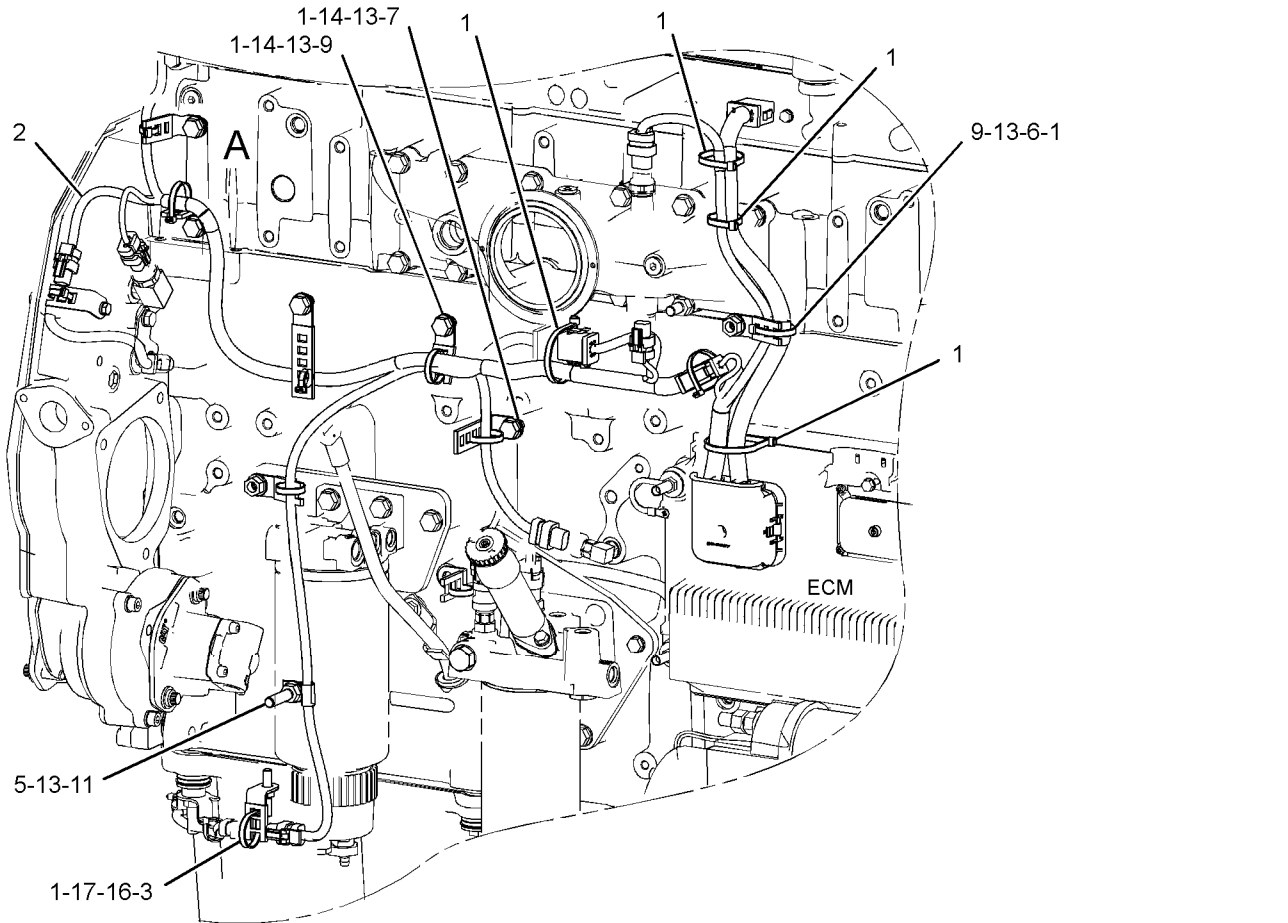
M - METRIC PART

Y - SEPARATE ILLUSTRATION

# ELECTRICAL AND STARTING SYSTEM

428-7733 WIRING GP-ELECTRONIC CONTROL (contd.)

105245857



GRAPHIC #1

<END>

g03392787

# ELECTRICAL AND STARTING SYSTEM

## 579-1018 WIRING GP-GENERATOR

S/N: S341-UP  
AN ATTACHMENT

SMCS-1404, 1408, 4459

i07865536

NOTE	REF NO	GRAPHIC REF	PART NUMBER	QTY	PART NAME						SEE PAGE
					1	2	3	4	5	6 (PRODUCT LEVEL)	
	1	1	<b>1H-4393</b>	1	LOCKWASHER						
M	2	1	<b>235-4451</b>	4	BOLT-FLANGE HEAD (M6X1X16-MM)						
	3	1	<b>244-2331</b>	1	WASHER (4X8X1-MM THK)						
M	4	1	<b>329-3356</b>	1	NUT (M12X1.75-THD)						
	5	1	<b>3S-2093</b>	12	STRAP-CABLE						
	6	1	<b>449-0760</b>	1	PLUG-CAP						
	7	1	<b>4P-7581</b>	1	CLIP (LADDER)						
Y	8	1	<i>569-6148</i>	1	PANEL GP-CONTROL						286
Y	9	1	<b>572-5793</b>	1	HARNESS AS-ENGINE						169
	10	1	<b>574-8743</b>	1	MODULE-CONTROL						
M	11	1	<b>5C-2890</b>	8	NUT (M6X1-THD)						
M	12	1	<b>5C-8312</b>	1	NUT (M4X0.7-THD)						
	13	1	<b>8C-6354</b>	1	CAP-RECEPTACLE (ET CONNECTOR)						
	14	1	<b>8T-4121</b>	7	WASHER-HARD (11X21X2.5-MM THK)						
M	15	1	<b>8T-4139</b>	1	BOLT (M12X1.75X30-MM)						
M	16	1	<b>8T-4195</b>	7	BOLT (M10X1.5X30-MM)						
	17	1	<b>8T-4223</b>	2	WASHER-HARD (13.5X25.5X3-MM THK)						
	18	1	<b>9D-3767</b>	4	PLUG-BUTTON						
	19	1	<b>9X-8256</b>	8	WASHER (6.6X12X2-MM THK)						

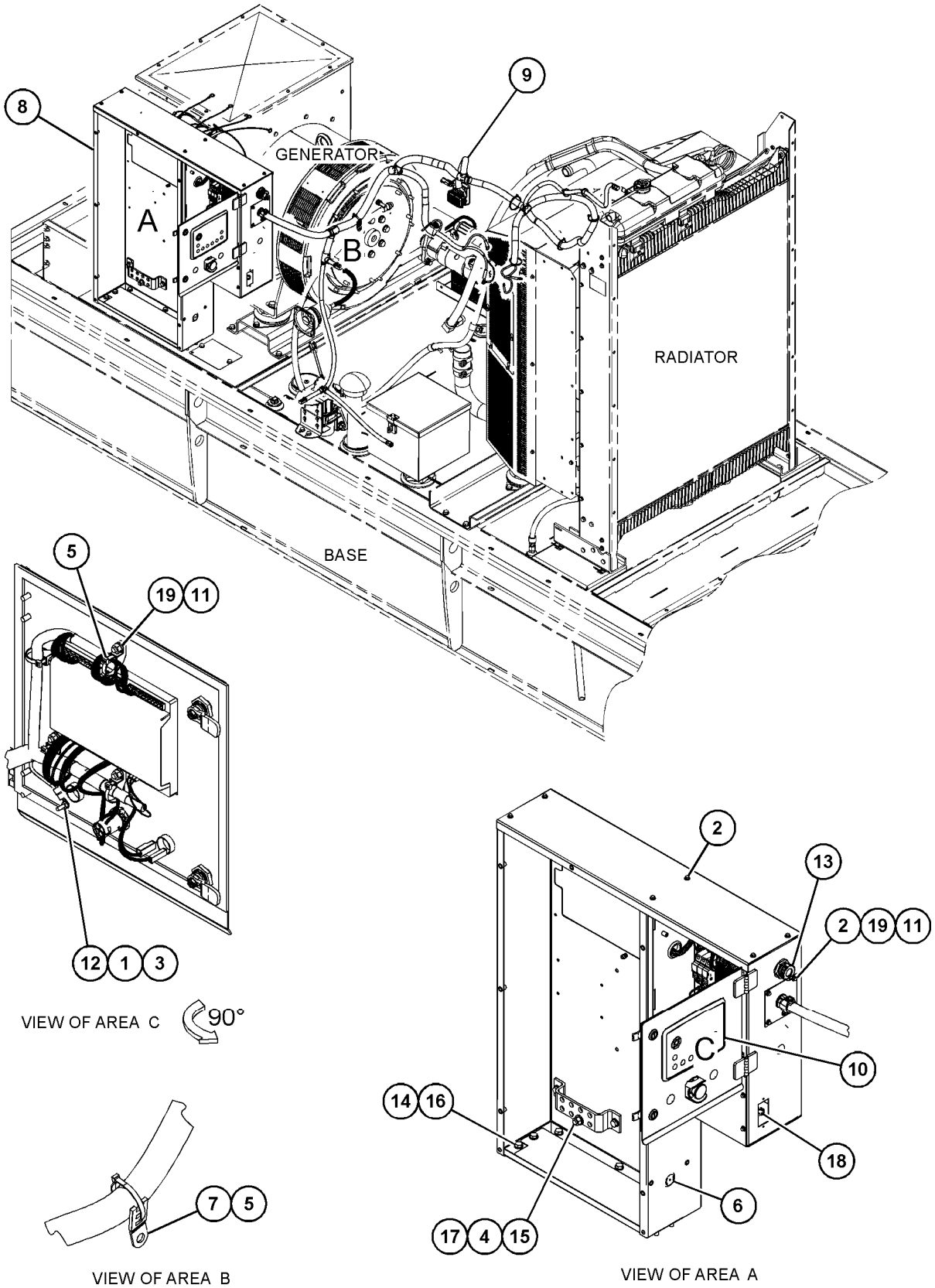
M - METRIC PART

Y - SEPARATE ILLUSTRATION

# ELECTRICAL AND STARTING SYSTEM

579-1018 WIRING GP-GENERATOR (contd.)

107865536



GRAPHIC #1

<END>

g06466534

# ELECTRICAL AND STARTING SYSTEM

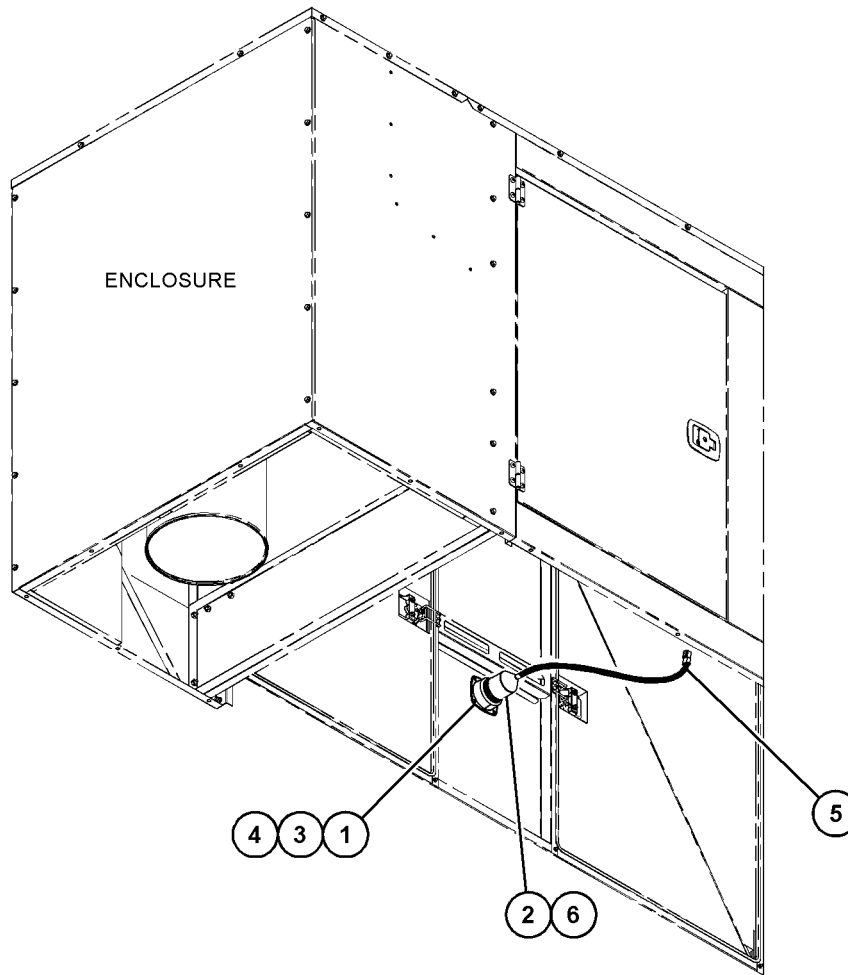
## 588-6082 WIRING GP-GENERATOR

S/N: S341-UP  
EMERGENCY STOP  
AN ATTACHMENT

SMCS-1404, 1408, 4459

i07901460

NOTE	REF NO	GRAPHIC REF	PART NUMBER	QTY	PART NAME						SEE PAGE
					1	2	3	4	5	6 (PRODUCT LEVEL)	
	1	1	<b>226-6450</b>	1	PAN						
	2	1	<b>231-4442</b>	1	BOOT						
	3	1	<b>390-1209</b>	1	SWITCH AS (EMERGENCY STOP)						
	4	1	<b>226-6447</b>	1	DISC						
	5	1	<b>572-5797</b>	1	HARNESS AS-POWER						
		1	<b>8T-8729</b>	4	PIN-CONNECTOR (16-GA TO 20-GA)						
		1	<b>102-8804</b>	1	KIT-RECEPTACLE (4-PIN)						
					(INCLUDES RECEPTACLE AS & WEDGE)						
6	1	1	<b>6K-0806</b>	1	STRAP-CABLE						



GRAPHIC #1

<END>

g06475658

# ELECTRICAL AND STARTING SYSTEM

## 428-8529 WIRING GP-SENSOR

S/N: PW31-UP

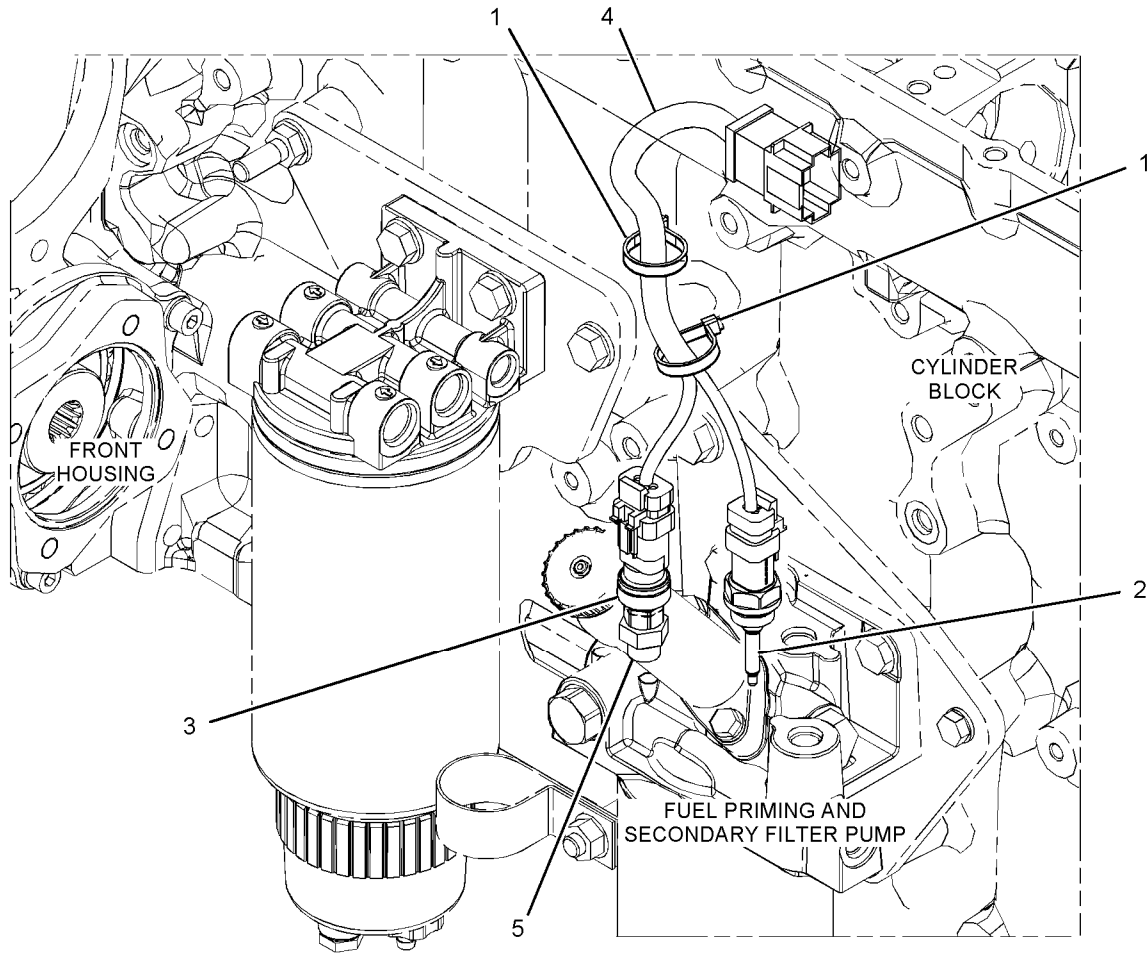
PART OF 434-3726 ENGINE AR-COMplete

SMCS-1408, 1900

i05245858

NOTE	REF NO	GRAPHIC REF	PART NUMBER	QTY	PART NAME						SEE PAGE
					1	2	3	4	5	6 (PRODUCT LEVEL)	
	1	1	<b>3S-2093</b>	2	STRAP-CABLE						
Y	2	1	234-5013	1	SENSOR GP-TEMPERATURE (FUEL)						193
	3	1	<b>274-6719</b>	1	SENSOR GP-PRESSURE (FUEL)						
Y	4	1	<b>382-5941</b>	1	HARNES AS-CONTROL						166
	5	1	329-5451	1	ADAPTER AS						
		1	<b>9X-0261</b>	1	ADAPTER						
		1	<b>214-7566</b>	1	SEAL-O-RING						
		1	<b>214-7568</b>	1	SEAL-O-RING						

Y - SEPARATE ILLUSTRATION



GRAPHIC #1

<END>

g03388681

# ELECTRICAL AND STARTING SYSTEM

## 230-0961 WIRING GP-UNIT INJECTOR

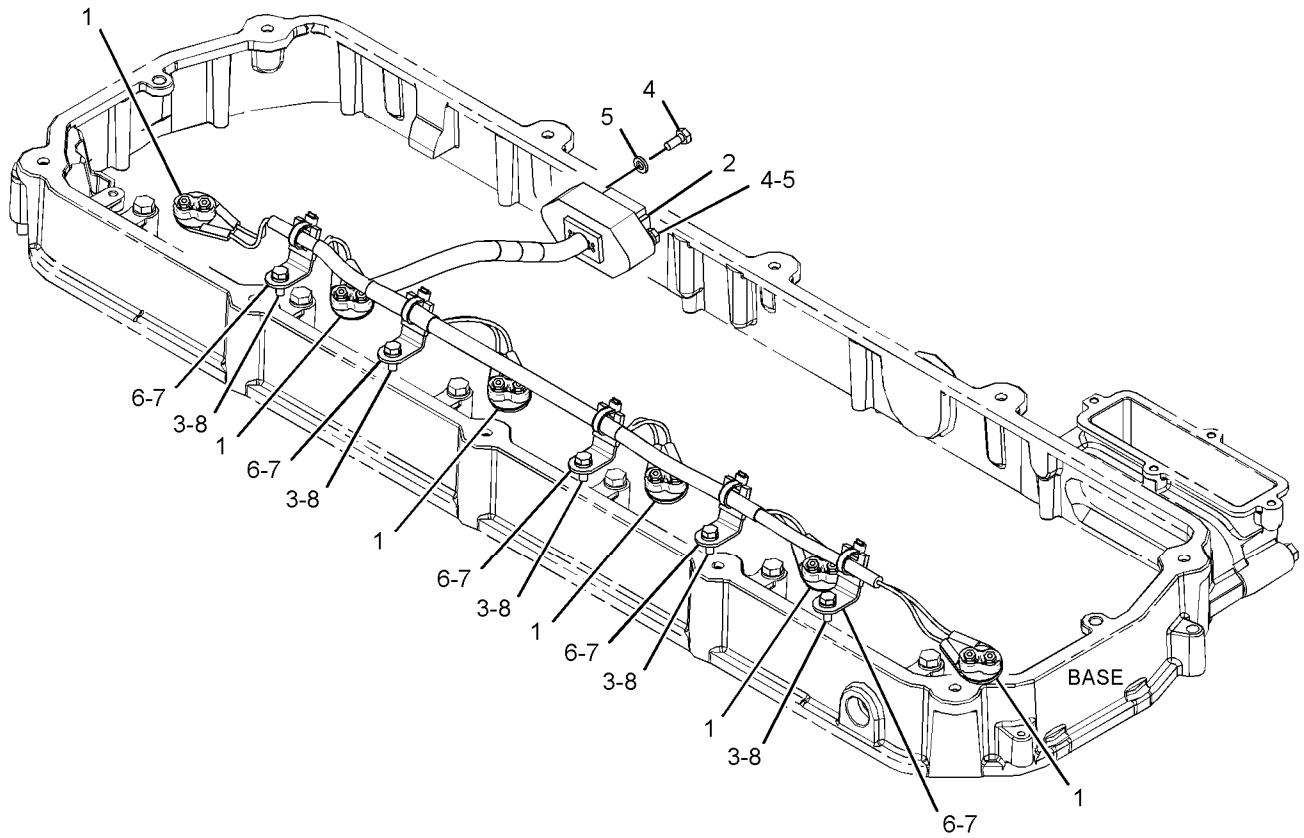
S/N: PW31-UP

SMCS-1290, 1408, 1900

i05327554

NOTE	REF NO	GRAPHIC REF	PART NUMBER	QTY	PART NAME						SEE PAGE
					1	2	3	4	5	6 (PRODUCT LEVEL)	
	1	1	<b>7E-6508</b>	6	CAP AS						
Y	2	1	<b>418-7614</b>	1	HARNESS AS-WIRING (UNIT INJECTOR)						171
M	3	1	<b>6V-8837</b>	5	BOLT (M6X1X16-MM)						
M	4	1	<b>6V-8836</b>	2	BOLT (M6X1X14-MM)						
	5	1	<b>9X-8267</b>	2	WASHER (6.6X12X2-MM THK)						
	6	1	<b>237-9960</b>	5	CLIP (LADDER)						
	7	1	<b>3S-2093</b>	5	STRAP-CABLE						
	8	1	<b>5P-0537</b>	5	WASHER-HARD (7.2X14.5X2-MM THK)						

M - METRIC PART  
Y - SEPARATE ILLUSTRATION



GRAPHIC #1

<END>

g03348469



# ENCLOSURES, GUARDS AND BASES

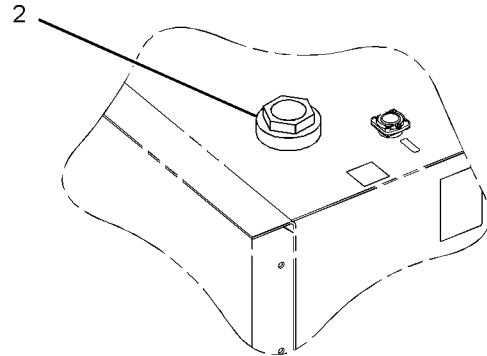
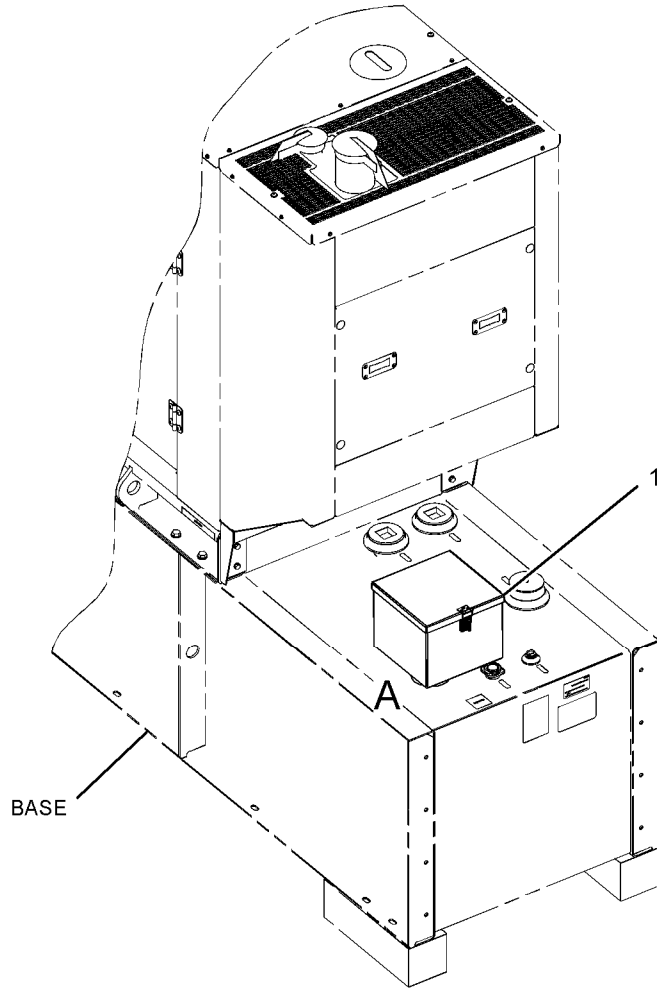
## 419-0426 CONTAINMENT GP-FLUID

S/N: S341-UP  
5G SPILL CONTAINER  
AN ATTACHMENT

SMCS-7274

i06949553

NOTE	REF NO	GRAPHIC REF	PART NUMBER	QTY	PART NAME						SEE PAGE
					1	2	3	4	5	6 (PRODUCT LEVEL)	
	1	1	<b>419-0425</b>	1	CONTAINMENT GP-FLUID						
	2	1	<b>428-8455</b>	1	ADAPTER						



VIEW OF AREA A  
(PARTS REMOVED FOR CLARITY)

GRAPHIC #1

<END>

g03430932

# ENCLOSURES, GUARDS AND BASES

## 427-0084 CONTAINMENT GP-FLUID

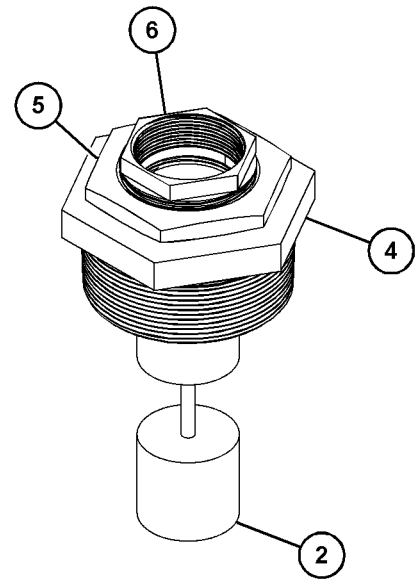
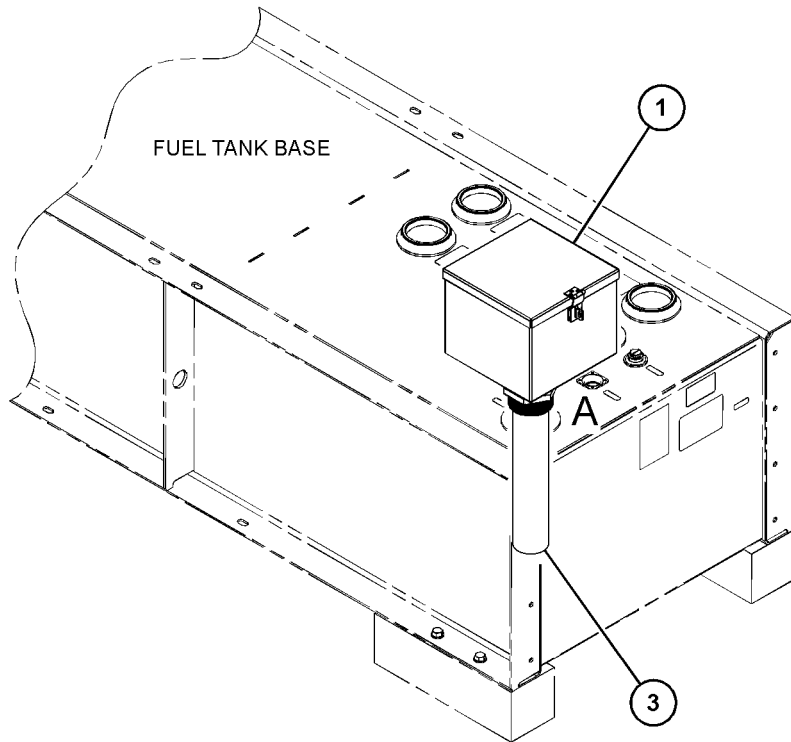
S/N: S341-UP  
VALVE OVERFILL  
AN ATTACHMENT

SMCS-7274

i06949919

NOTE	REF NO	GRAPHIC REF	PART NUMBER	QTY	PART NAME						SEE PAGE
					1	2	3	4	5	6 (PRODUCT LEVEL)	
	1	1	<b>419-0425</b>	1	CONTAINMENT GP-FLUID						
C	2	1	<b>461-6422</b>	1	VALVE AS						
C	3	1	<b>509-0779</b>	1	TUBE						
C	4	1	<b>509-0784</b>	1	ADAPTER						
C	5	1	<b>509-0785</b>	1	ADAPTER						
C	6	1	<b>509-0786</b>	1	ADAPTER						

C - CHANGE FROM PREVIOUS TYPE



VIEW OF AREA A  
(PARTS REMOVED FOR CLARITY)

GRAPHIC #1

<END>

g06095819

# ENCLOSURES, GUARDS AND BASES

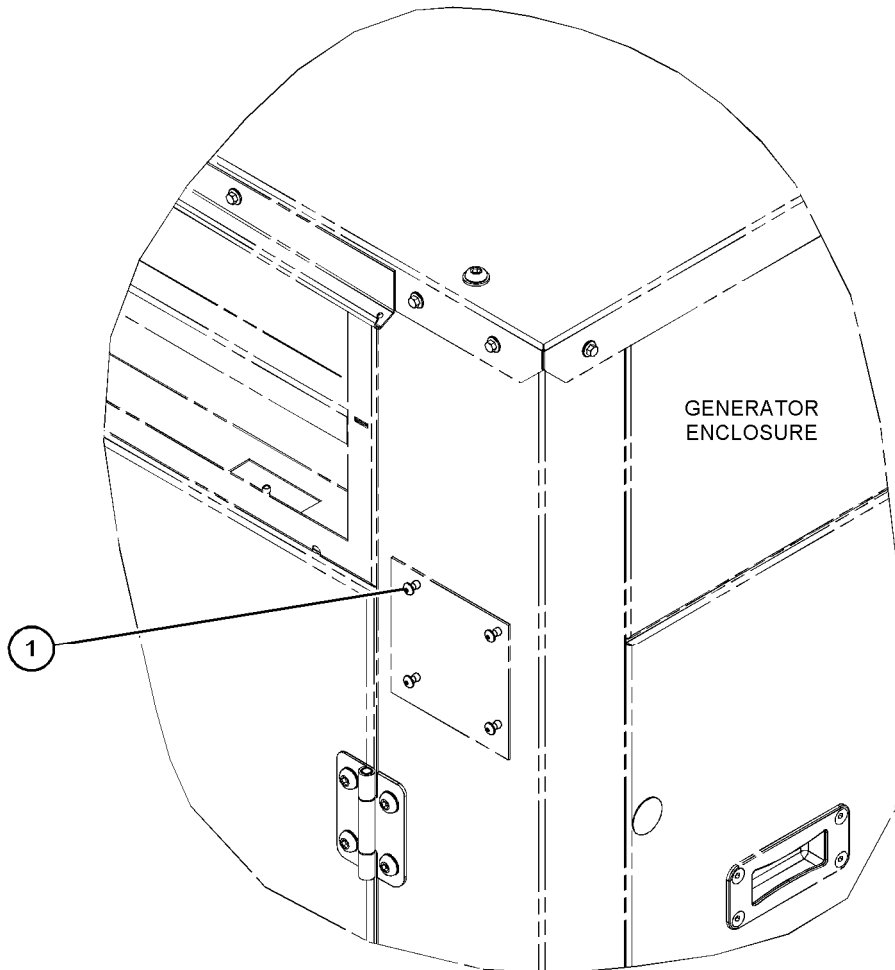
## 556-0905 COVER GP-GENERATOR

S/N: S341-UP  
AN ATTACHMENT

SMCS-7274

i07322034

NOTE	REF NO	GRAPHIC REF	PART NUMBER	QTY	PART NAME						SEE PAGE	
					1	2	3	4	5	6 (PRODUCT LEVEL)		
	1	1	142-8194	4	RIVET							



GRAPHIC #1

<END>

g06283676

# ENCLOSURES, GUARDS AND BASES

## 579-2576 COVER GP-GENERATOR

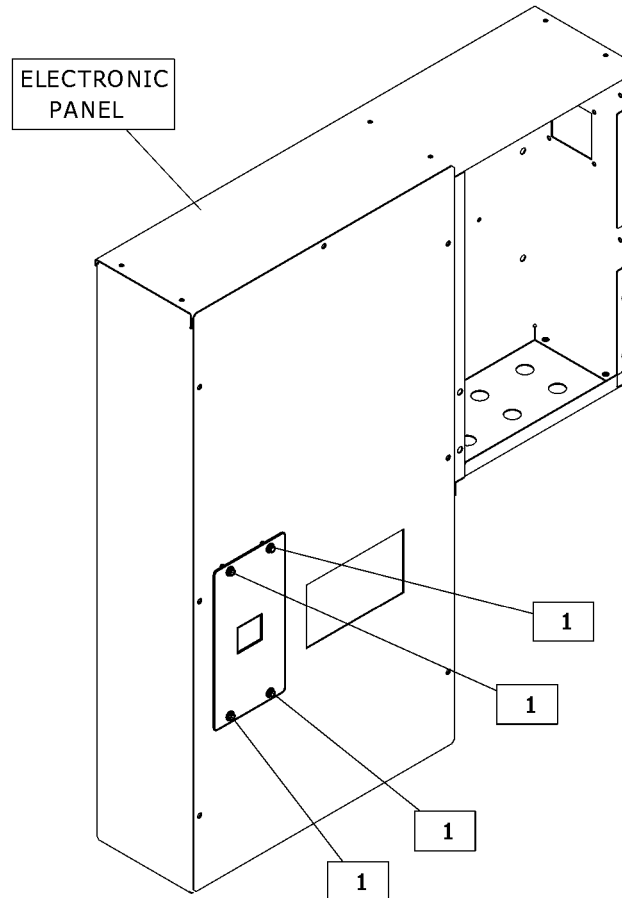
S/N: S341-UP  
AN ATTACHMENT

SMCS-7274

i07839886

NOTE	REF NO	GRAPHIC REF	PART NUMBER	QTY	PART NAME	SEE PAGE
M	1	1	106-8916	4	BOLT (M6X16-MM)	

M - METRIC PART



GRAPHIC #1

<END>

g06457254

# ENCLOSURES, GUARDS AND BASES

## 569-6149 DUCT GP-CABLE

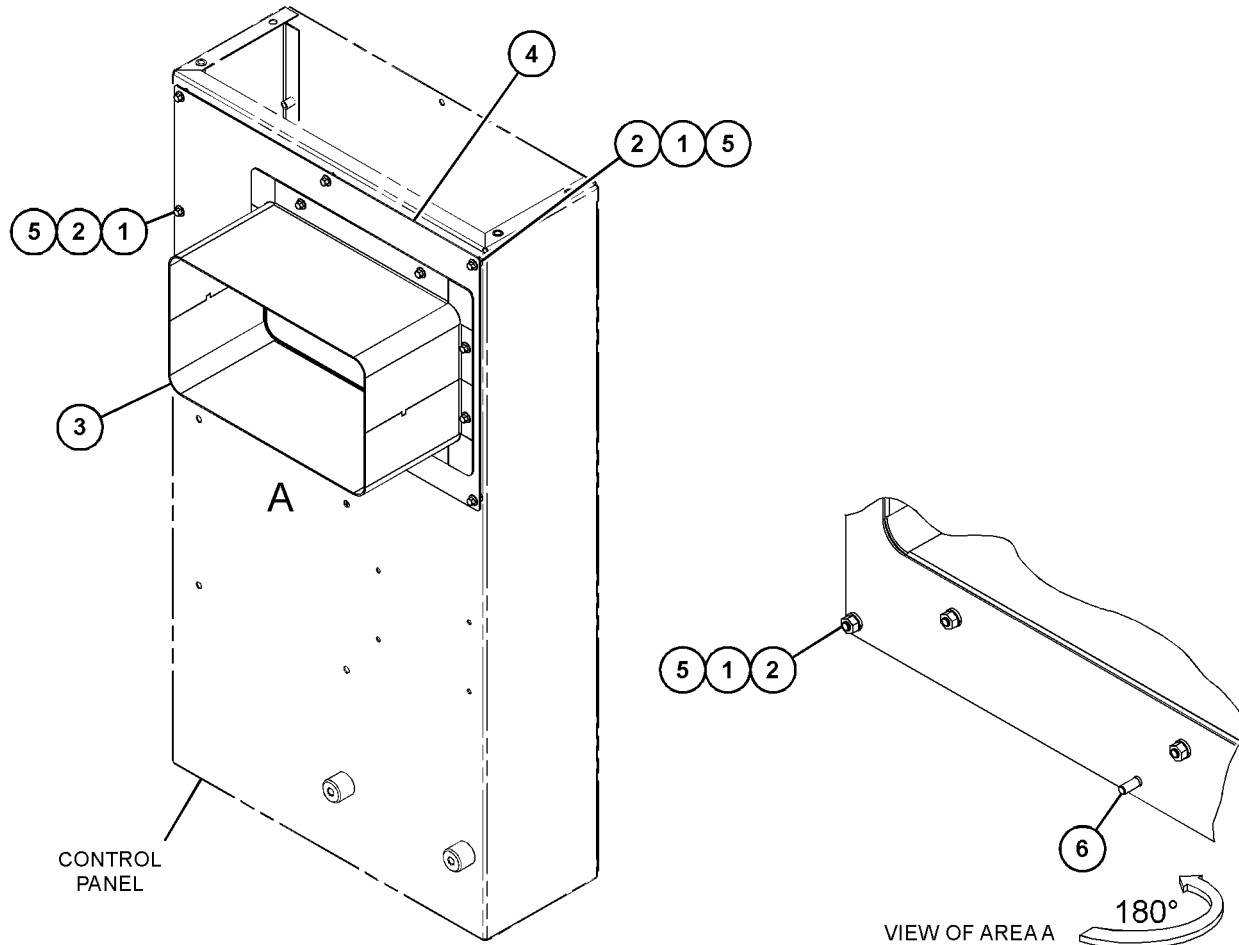
S/N: S341-UP  
AN ATTACHMENT

SMCS-7274

i07868135

NOTE	REF NO	GRAPHIC REF	PART NUMBER	QTY	PART NAME						SEE PAGE
					1	2	3	4	5	6 (PRODUCT LEVEL)	
M	1	1	<b>260-6671</b>	14	BOLT (M6X1X12-MM)						
M	2	1	<b>344-5673</b>	14	NUT (M6X1-THD)						
	3	1	<b>535-5527</b>	1	DUCT AS						
	4	1	<b>571-9979</b>	1	PLATE						
	5	1	<b>9X-8256</b>	14	WASHER (6.6X12X2-MM THK)						
M	6	1	<b>235-4451</b>	1	BOLT-FLANGE HEAD (M6X1X16-MM)						

M - METRIC PART



GRAPHIC #1

<END>

g06466979

# ENCLOSURES, GUARDS AND BASES

## 569-6747 DUCT GP-CABLE

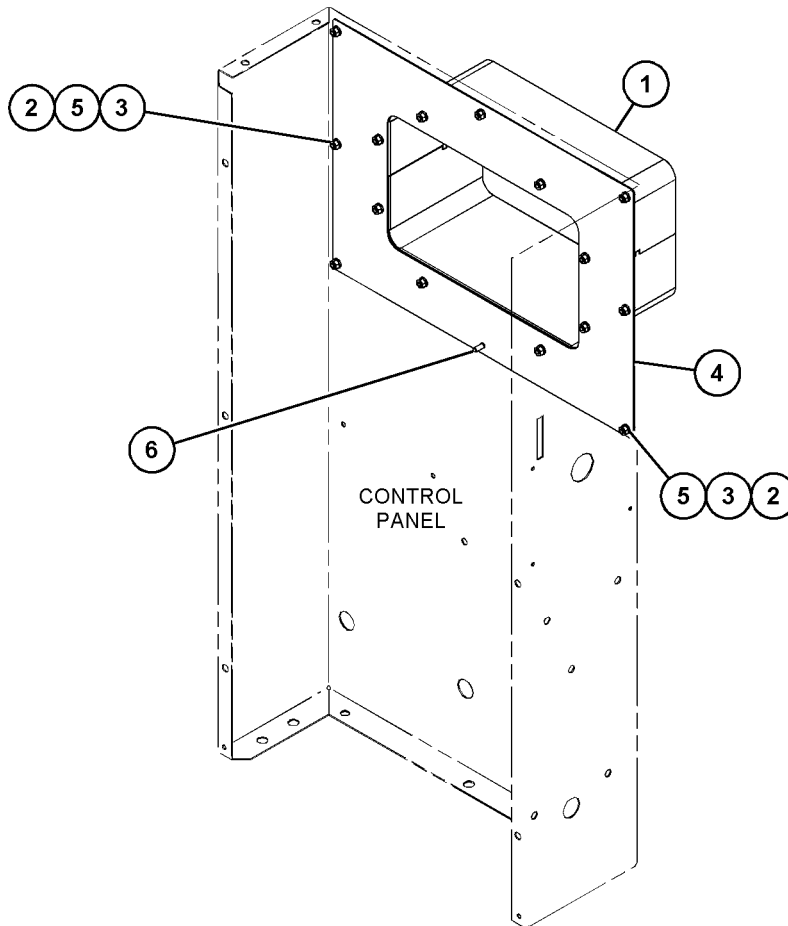
S/N: S341-UP  
AN ATTACHMENT

SMCS-7274

i07868411

NOTE	REF NO	GRAPHIC REF	PART NUMBER	QTY	PART NAME						SEE PAGE
					1	2	3	4	5	6 (PRODUCT LEVEL)	
	1	1	<b>535-5527</b>	1	DUCT AS						
M	2	1	<b>260-6671</b>	15	BOLT (M6X1X12-MM)						
M	3	1	<b>344-5673</b>	15	NUT (M6X1-THD)						
	4	1	<b>569-6748</b>	1	PLATE						
	5	1	<b>9X-8256</b>	15	WASHER (6.6X12X2-MM THK)						
M	6	1	<b>235-4451</b>	1	BOLT-FLANGE HEAD (M6X1X16-MM)						

M - METRIC PART



GRAPHIC #1

<END>

g06466957

# ENCLOSURES, GUARDS AND BASES

## 571-9076 DUCT GP-CABLE

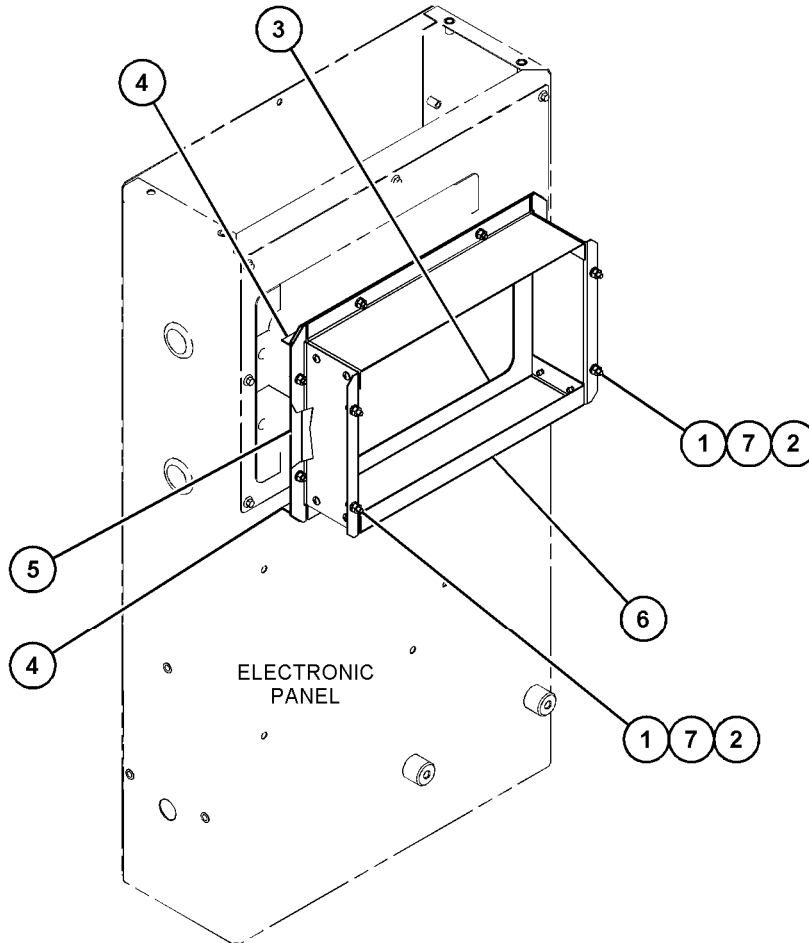
S/N: S341-UP  
AN ATTACHMENT

SMCS-7274

i07852175

NOTE	REF NO	GRAPHIC REF	PART NUMBER	QTY	PART NAME						SEE PAGE
					1	2	3	4	5	6 (PRODUCT LEVEL)	
M	1	1	<b>106-8916</b>	12	BOLT (M6X16-MM)						
M	2	1	<b>344-5673</b>	12	NUT (M6X1-THD)						
	3	1	<b>393-7063</b>	1	SEAL						
	4	1	<b>569-3855</b>	2	PLATE						
	5	1	<b>569-6140</b>	2	PLATE						
	6	1	<b>571-9075</b>	1	ADAPTER AS						
		1	<b>571-9072</b>	2	PLATE						
		1	<b>571-9073</b>	1	PLATE						
		1	<b>571-9074</b>	1	PLATE						
		1	<b>142-8194</b>	8	RIVET						
	7	1	<b>9X-8256</b>	12	WASHER (6.6X12X2-MM THK)						

M - METRIC PART



GRAPHIC #1

<END>

g06458369

# GENERATORS

## 574-0863 CONNECTION GP-GENERATOR LEADS

S/N: S341-UP

600-AMPERE

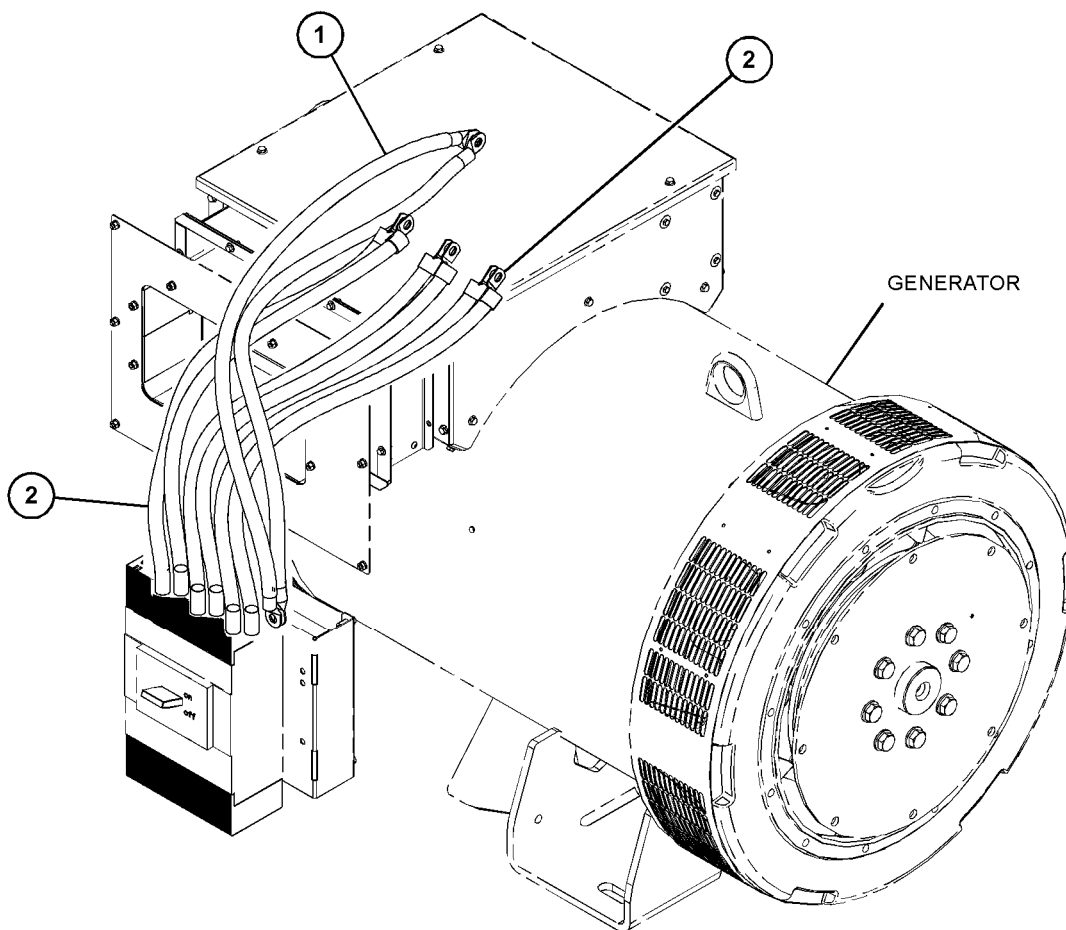
AN ATTACHMENT

SMCS-4460

i07867611

NOTE	REF NO	GRAPHIC REF	PART NUMBER	QTY	PART NAME						SEE PAGE
					1	2	3	4	5	6 (PRODUCT LEVEL)	
	1	1	393-2397	2	CABLE AS						
					(EACH INCLUDES)						
		1	3L-7634	2	TERMINAL-RING (0000-GA, 1/2-IN SCREW)						
E		1	314-6905		CABLE (0000-GA, BLACK) (100-CM)						
	2	1	572-8084	6	CABLE AS						
					(EACH INCLUDES)						
		1	3L-7634	1	TERMINAL-RING (0000-GA, 1/2-IN SCREW)						
E		1	314-6905		CABLE (0000-GA, BLACK) (73-CM)						

E - ORDER BY THE CENTIMETER



GRAPHIC #1

<END>

g06465334



# GENERATORS

## 579-2585 CONNECTION GP-GENERATOR LEADS

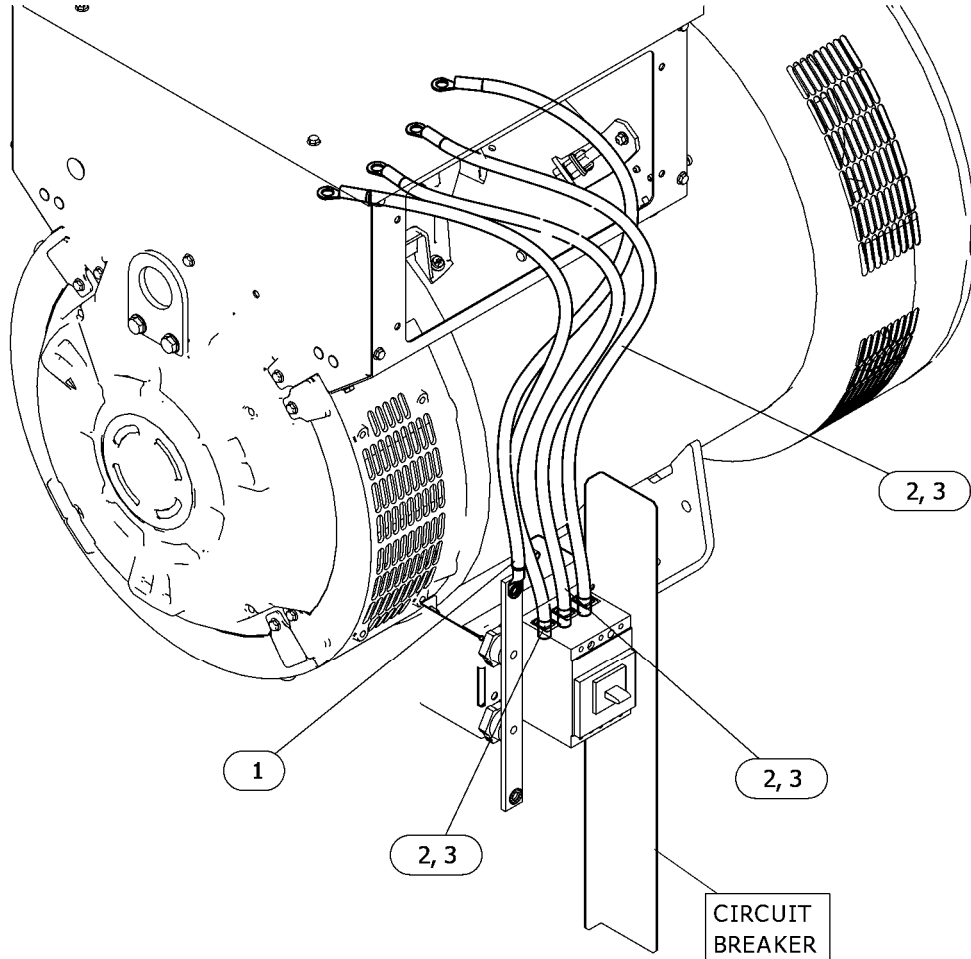
S/N: S341-UP  
100-AMPERE  
AN ATTACHMENT

SMCS-4460

i07839983

NOTE	REF NO	GRAPHIC REF	PART NUMBER	QTY	PART NAME						SEE PAGE
					1	2	3	4	5	6 (PRODUCT LEVEL)	
	1	1	<b>579-2578</b>	1	CABLE AS						
		1	<b>7T-9346</b>	1	TERMINAL AS-BATTERY						
		1	<b>3L-6513</b>	1	TERMINAL-RING (1-GA TO 2-GA, 1/2-IN SCREW)						
E		1	<b>6V-9023</b>		TUBE-HEAT SHRINK (12.7-MM DIA) (3-CM)						
		1	<b>385-4736</b>	1	TERMINAL-RING						
	2	1	<b>579-2579</b>	3	CABLE AS						
					(EACH INCLUDES)						
		1	<b>7T-9346</b>	1	TERMINAL AS-BATTERY						
		1	<b>3L-6513</b>	1	TERMINAL-RING (1-GA TO 2-GA, 1/2-IN SCREW)						
E		1	<b>6V-9023</b>		TUBE-HEAT SHRINK (12.7-MM DIA) (3-CM)						
E	3	1	<b>356-0214</b>		SHIM (COPPER) (2.2-CM EACH)						

E - ORDER BY THE CENTIMETER



GRAPHIC #1

<END>

g06460592

# GENERATORS

## 579-2587 CONNECTION GP-GENERATOR LEADS

S/N: S341-UP

100-AMPERE

AN ATTACHMENT

SMCS-4460

i07840023

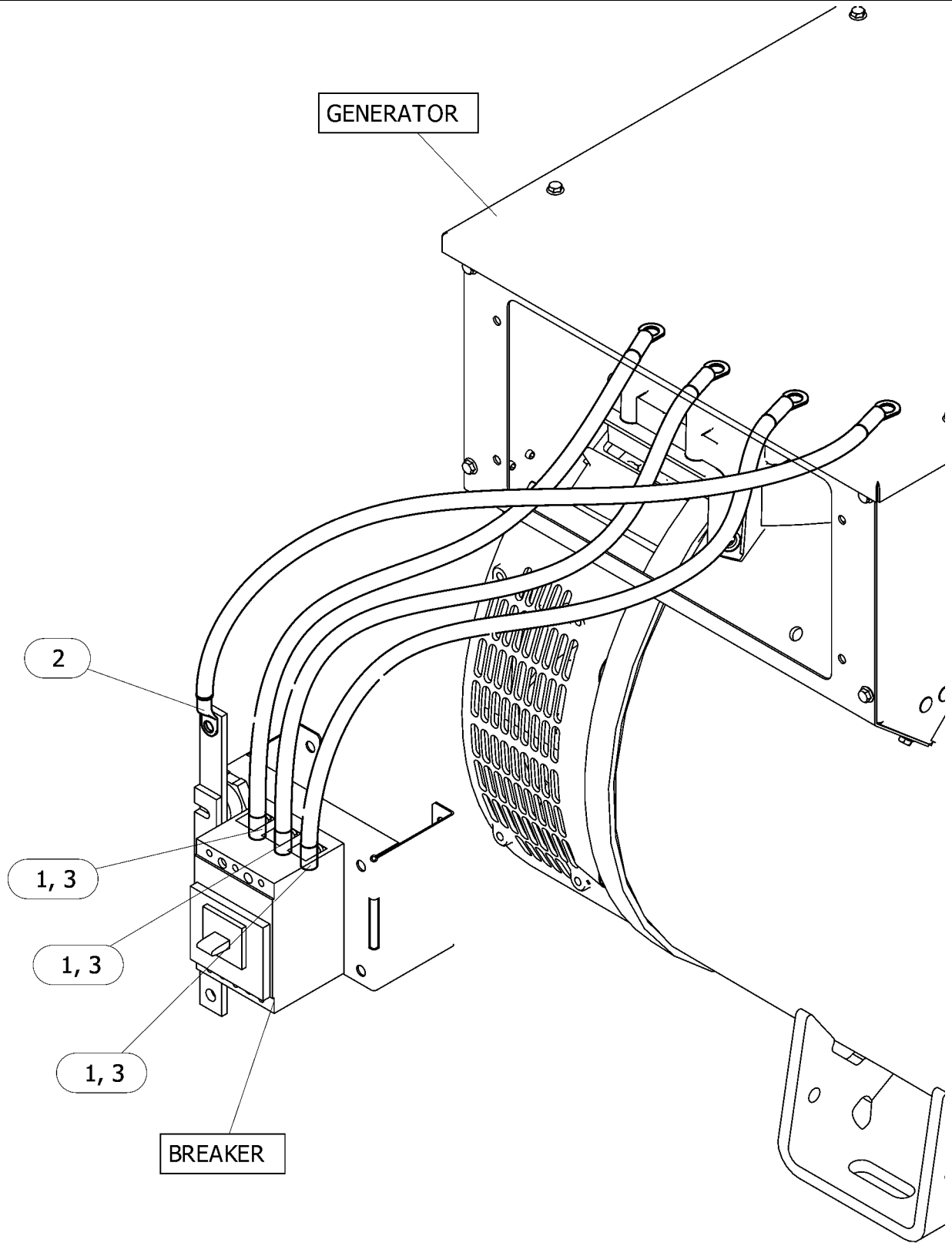
NOTE	REF NO	GRAPHIC REF	PART NUMBER	QTY	PART NAME						SEE PAGE
					1	2	3	4	5	6 (PRODUCT LEVEL)	
	1	1	<b>579-2577</b>	3	CABLE AS						
					(EACH INCLUDES)						
		1	7T-9346	1	TERMINAL AS-BATTERY						
		1	<b>3L-6513</b>	1	TERMINAL-RING (1-GA TO 2-GA, 1/2-IN SCREW)						
E		1	<b>6V-9023</b>		TUBE-HEAT SHRINK (12.7-MM DIA) (3-CM)						
	2	1	<b>579-2578</b>	1	CABLE AS						
		1	<b>7T-9346</b>	1	TERMINAL AS-BATTERY						
		1	<b>3L-6513</b>	1	TERMINAL-RING (1-GA TO 2-GA, 1/2-IN SCREW)						
E		1	<b>6V-9023</b>		TUBE-HEAT SHRINK (12.7-MM DIA) (3-CM)						
		1	<b>385-4736</b>	1	TERMINAL-RING						
E	3	1	<b>356-0214</b>	3	SHIM (COPPER) (2.2-CM EACH)						

E - ORDER BY THE CENTIMETER

# GENERATORS

579-2587 CONNECTION GP-GENERATOR LEADS (contd.)

107840023



GRAPHIC #1

<END>

g06458216

# GENERATORS

## 579-2588 CONNECTION GP-GENERATOR LEADS

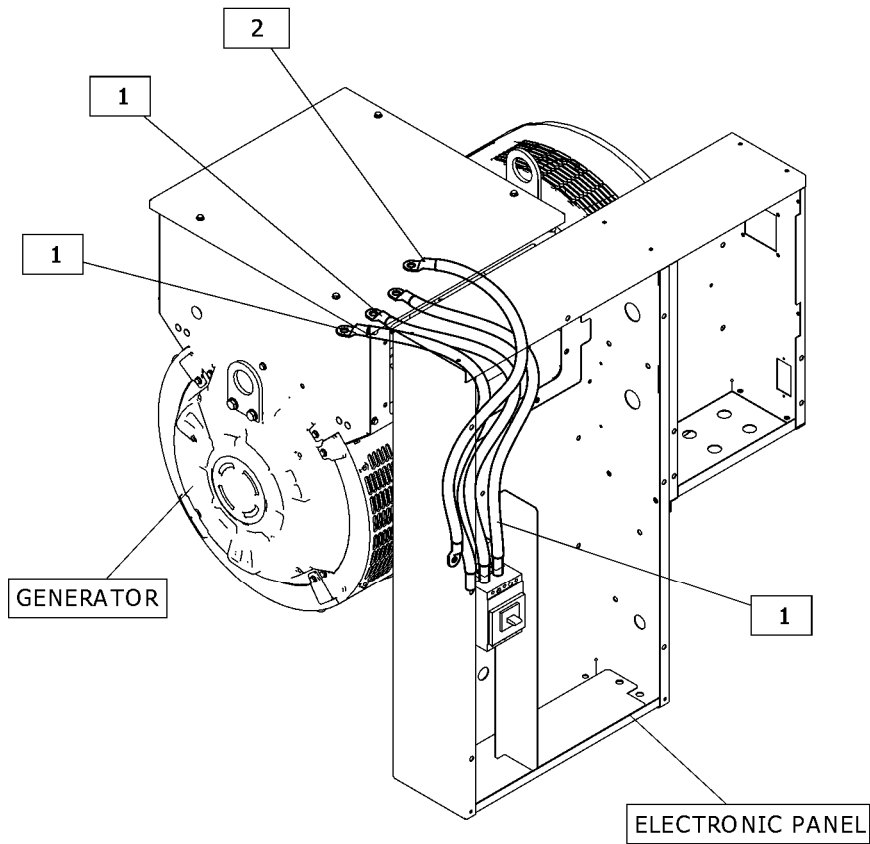
S/N: S341-UP  
250-AMPERE  
AN ATTACHMENT

SMCS-4460

i07840024

NOTE	REF NO	GRAPHIC REF	PART NUMBER	QTY	PART NAME						SEE PAGE
					1	2	3	4	5	6 (PRODUCT LEVEL)	
	1	1	<b>579-2581</b>	3	CABLE AS						
					(EACH INCLUDES)						
		1	<b>3L-7634</b>	1	TERMINAL-RING (0000-GA, 1/2-IN SCREW)						
E		1	<b>314-6905</b>		CABLE (0000-GA, BLACK) (68-CM)						
	2	1	<b>579-2584</b>	1	CABLE AS						
		1	<b>3L-7634</b>	1	TERMINAL-RING (0000-GA, 1/2-IN SCREW)						
		1	<b>031-9295</b>	1	TERMINAL-RING (0000-GA, 3/8-IN SCREW)						
E		1	<b>314-6905</b>		CABLE (0000-GA, BLACK) (87-CM)						

E - ORDER BY THE CENTIMETER



GRAPHIC #1

<END>

g06457255

# GENERATORS

## 580-2204 CONNECTION GP-GENERATOR LEADS

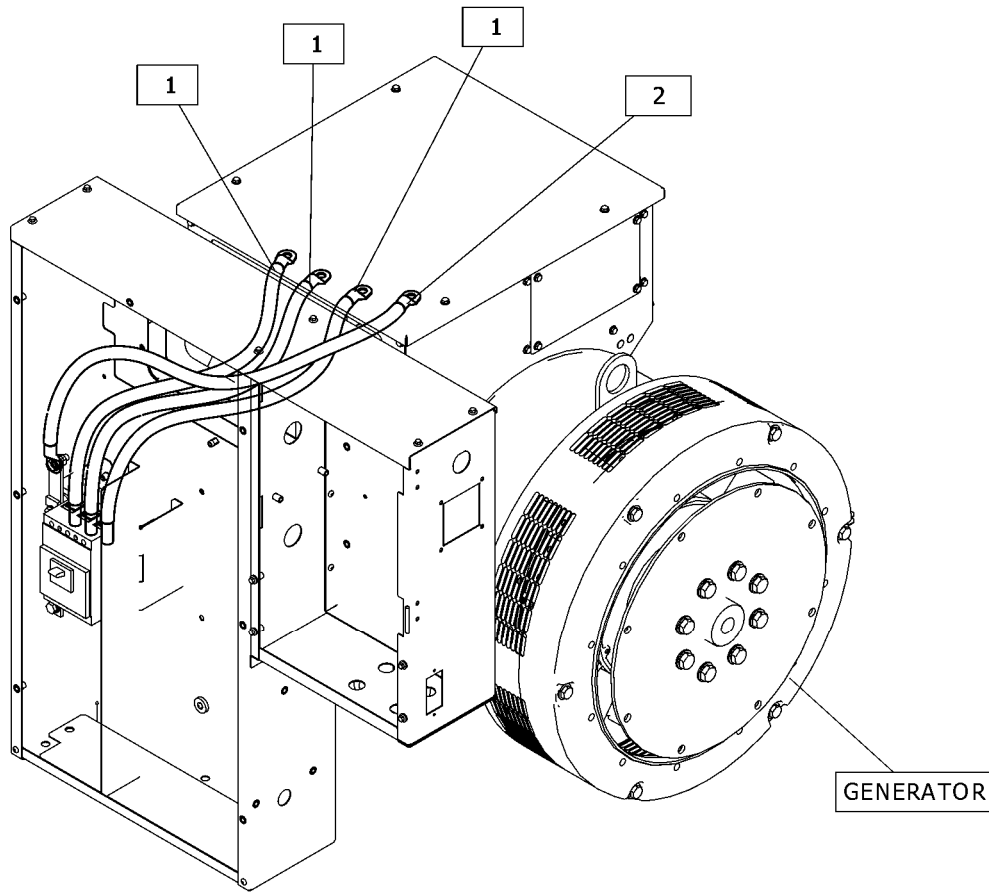
S/N: S341-UP  
250-AMPERE  
AN ATTACHMENT

SMCS-4460

i07840036

NOTE	REF NO	GRAPHIC REF	PART NUMBER	QTY	PART NAME						SEE PAGE
					1	2	3	4	5	6 (PRODUCT LEVEL)	
	1	1	<b>579-2582</b>	3	CABLE AS						
(EACH INCLUDES)											
		1	<b>3L-7634</b>	1	TERMINAL-RING (0000-GA, 1/2-IN SCREW)						
E		1	<b>314-6905</b>		CABLE (0000-GA, BLACK) (64-CM)						
	2	1	<b>579-2584</b>	1	CABLE AS						
		1	<b>3L-7634</b>	1	TERMINAL-RING (0000-GA, 1/2-IN SCREW)						
		1	<b>031-9295</b>	1	TERMINAL-RING (0000-GA, 3/8-IN SCREW)						
E		1	<b>314-6905</b>		CABLE (0000-GA, BLACK) (87-CM)						

E - ORDER BY THE CENTIMETER



GRAPHIC #1

<END>

g06457345

# GENERATORS

## 580-2206 CONNECTION GP-GENERATOR LEADS

S/N: S341-UP  
100-AMPERE  
AN ATTACHMENT

SMCS-4460

i07843233

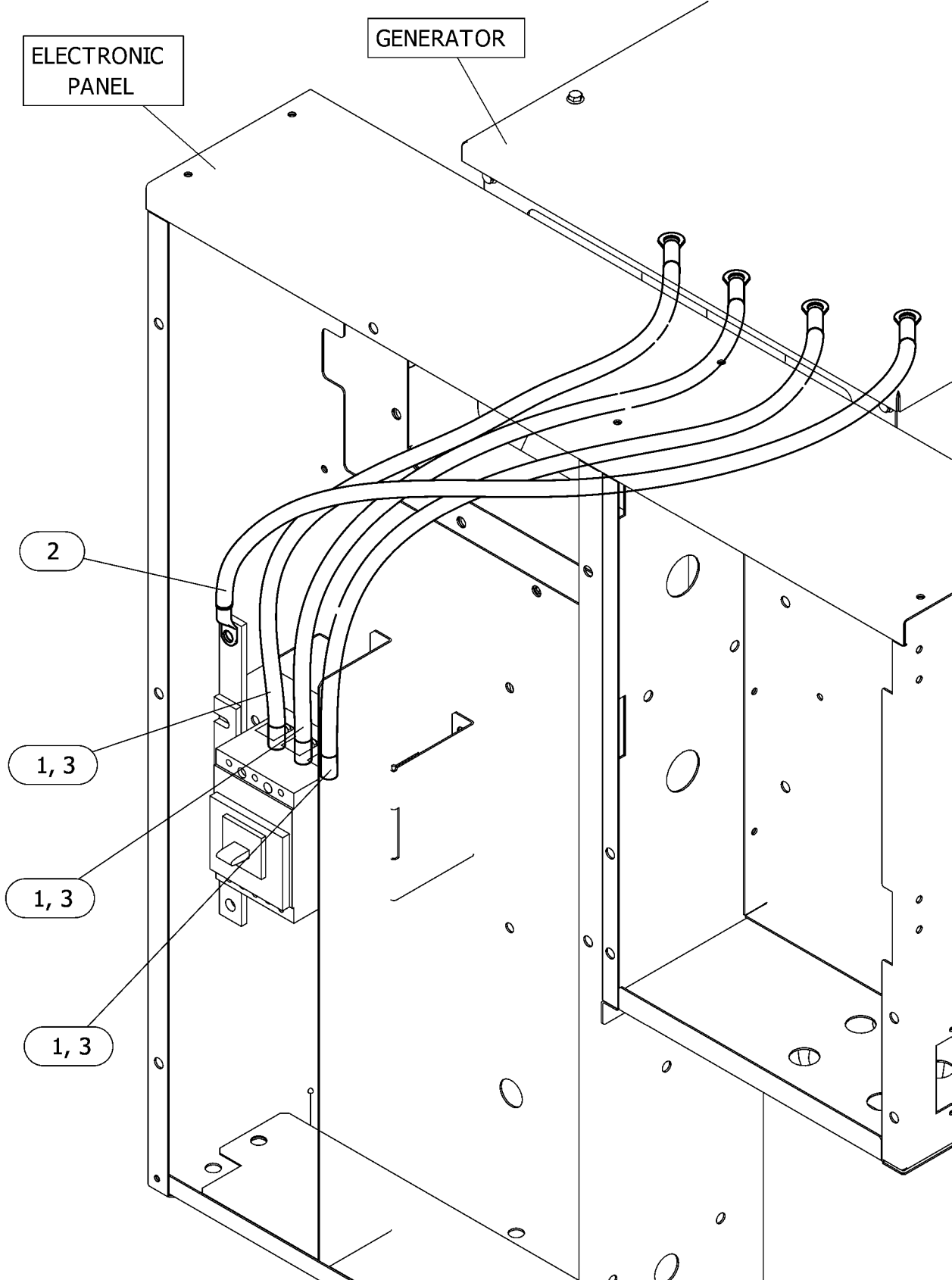
NOTE	REF NO	GRAPHIC REF	PART NUMBER	QTY	PART NAME						SEE PAGE
					1	2	3	4	5	6 (PRODUCT LEVEL)	
	1	1	<b>579-2579</b>	3	CABLE AS						
					(EACH INCLUDES)						
		1	<b>7T-9346</b>	1	TERMINAL AS-BATTERY						
		1	<b>3L-6513</b>	1	TERMINAL-RING (1-GA TO 2-GA, 1/2-IN SCREW)						
E		1	<b>6V-9023</b>		TUBE-HEAT SHRINK (12.7-MM DIA) (3-CM)						
	2	1	<b>579-2580</b>	1	CABLE AS						
		1	<b>7T-9346</b>	1	TERMINAL AS-BATTERY						
		1	<b>3L-6513</b>	1	TERMINAL-RING (1-GA TO 2-GA, 1/2-IN SCREW)						
E		1	<b>6V-9023</b>		TUBE-HEAT SHRINK (12.7-MM DIA) (3-CM)						
		1	<b>385-4736</b>	1	TERMINAL-RING						
E	3	1	<b>356-0214</b>		SHIM (COPPER) (2.2-CM EACH)						

E - ORDER BY THE CENTIMETER

# GENERATORS

580-2206 CONNECTION GP-GENERATOR LEADS (contd.)

107843233



GRAPHIC #1

<END>

g06460024

# GENERATORS

## 580-2207 CONNECTION GP-GENERATOR LEADS

S/N: S341-UP

250-AMPERE

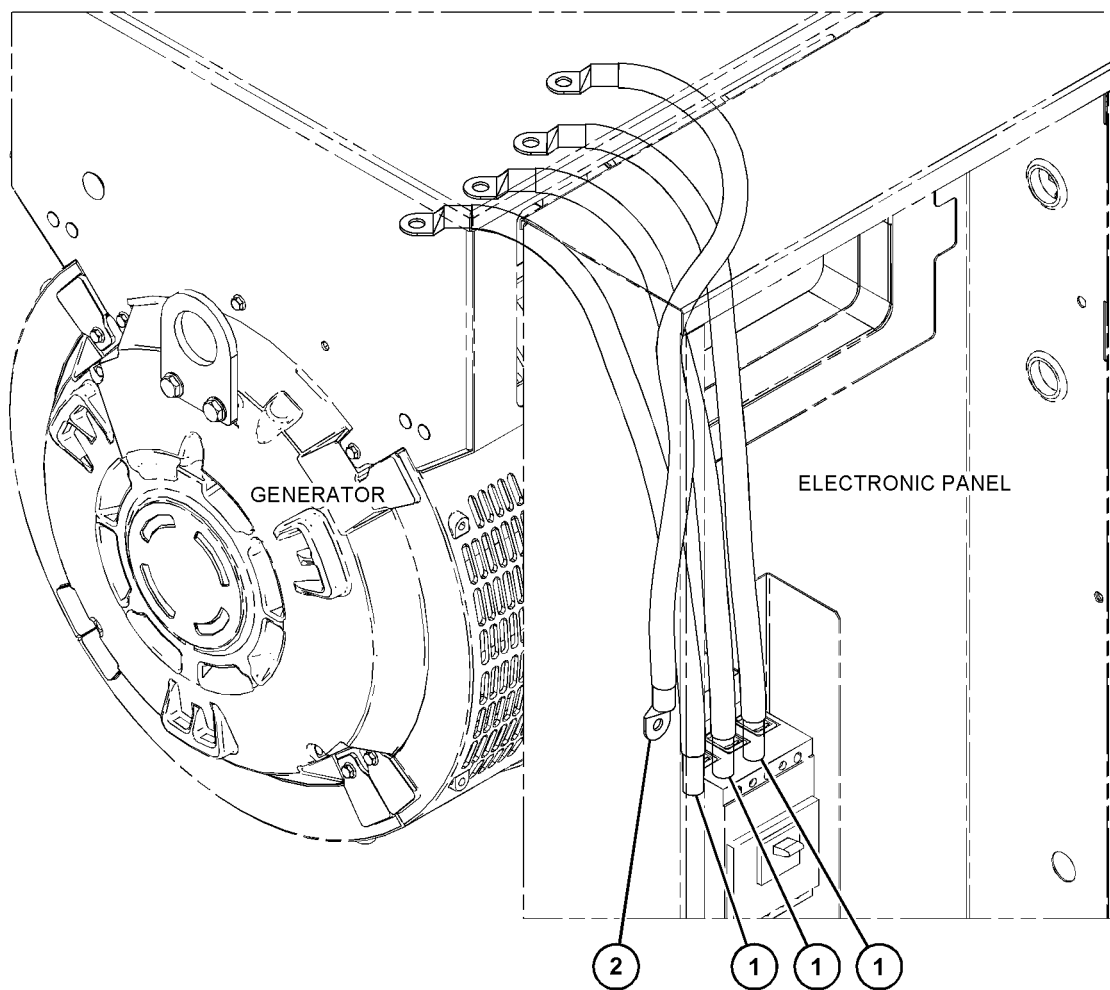
AN ATTACHMENT

SMCS-4460

i07843772

NOTE	REF NO	GRAPHIC REF	PART NUMBER	QTY	PART NAME						SEE PAGE
					1	2	3	4	5	6 (PRODUCT LEVEL)	
	1	1	<b>579-2581</b>	3	CABLE AS						
					(EACH INCLUDES)						
		1	<b>3L-7634</b>	1	TERMINAL-RING (0000-GA, 1/2-IN SCREW)						
E		1	<b>314-6905</b>		CABLE (0000-GA, BLACK) (68-CM)						
	2	1	<b>579-2583</b>	1	CABLE AS						
		1	<b>3L-7634</b>	1	TERMINAL-RING (0000-GA, 1/2-IN SCREW)						
		1	<b>031-9295</b>	1	TERMINAL-RING (0000-GA, 3/8-IN SCREW)						
E		1	<b>314-6905</b>		CABLE (0000-GA, BLACK) (75-CM)						

E - ORDER BY THE CENTIMETER



GRAPHIC #1

<END>

g06457678



# GENERATORS

## 580-2210 CONNECTION GP-GENERATOR LEADS

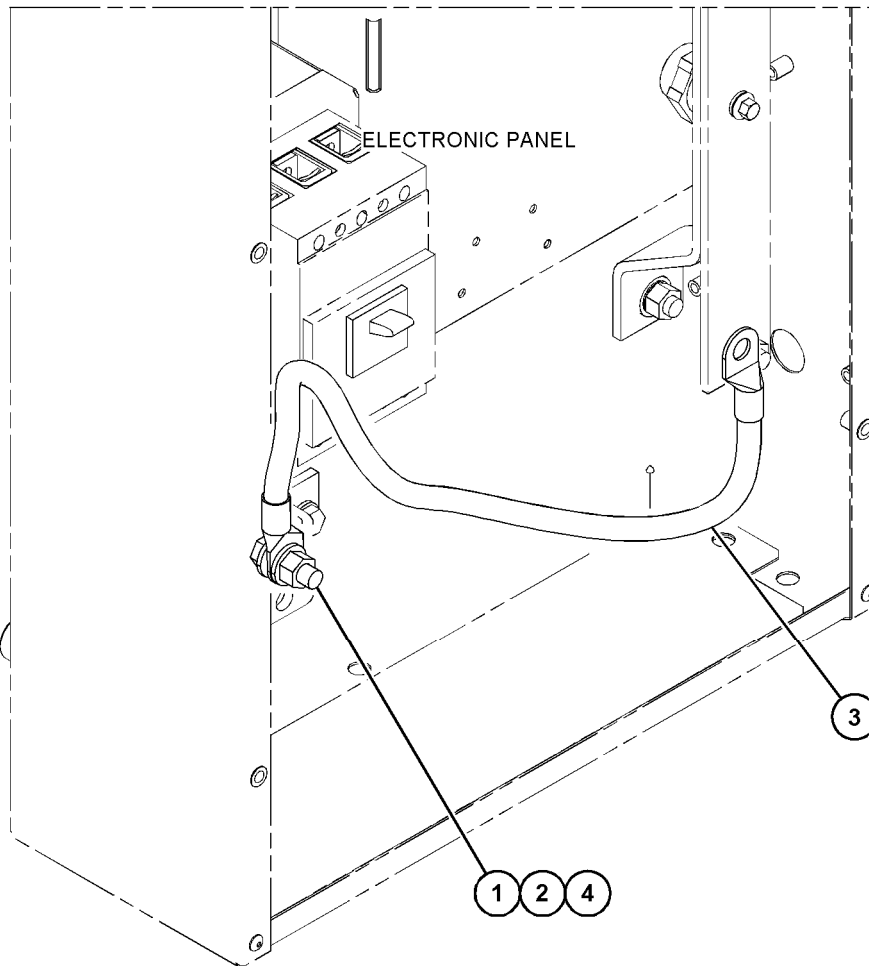
S/N: S341-UP  
1200-AMPERE  
AN ATTACHMENT

SMCS-4460

i07907162

NOTE	REF NO	GRAPHIC REF	PART NUMBER	QTY	PART NAME						SEE PAGE
					1	2	3	4	5	6 (PRODUCT LEVEL)	
M	1	1	<b>8T-4956</b>	1	BOLT (M12X1.75X35-MM)						
M	2	1	<b>329-3356</b>	1	NUT (M12X1.75-THD)						
	3	1	<b>583-1732</b>	1	CABLE AS						
		1	<b>5P-2600</b>	2	RING-TERMINAL (000-GA, 1/2-IN SCREW)						
	4	1	<b>8T-4223</b>	2	WASHER-HARD (13.5X25.5X3-MM THK)						

M - METRIC PART



GRAPHIC #1

<END>

g06477255

# GENERATORS

## 580-2211 CONNECTION GP-GENERATOR LEADS

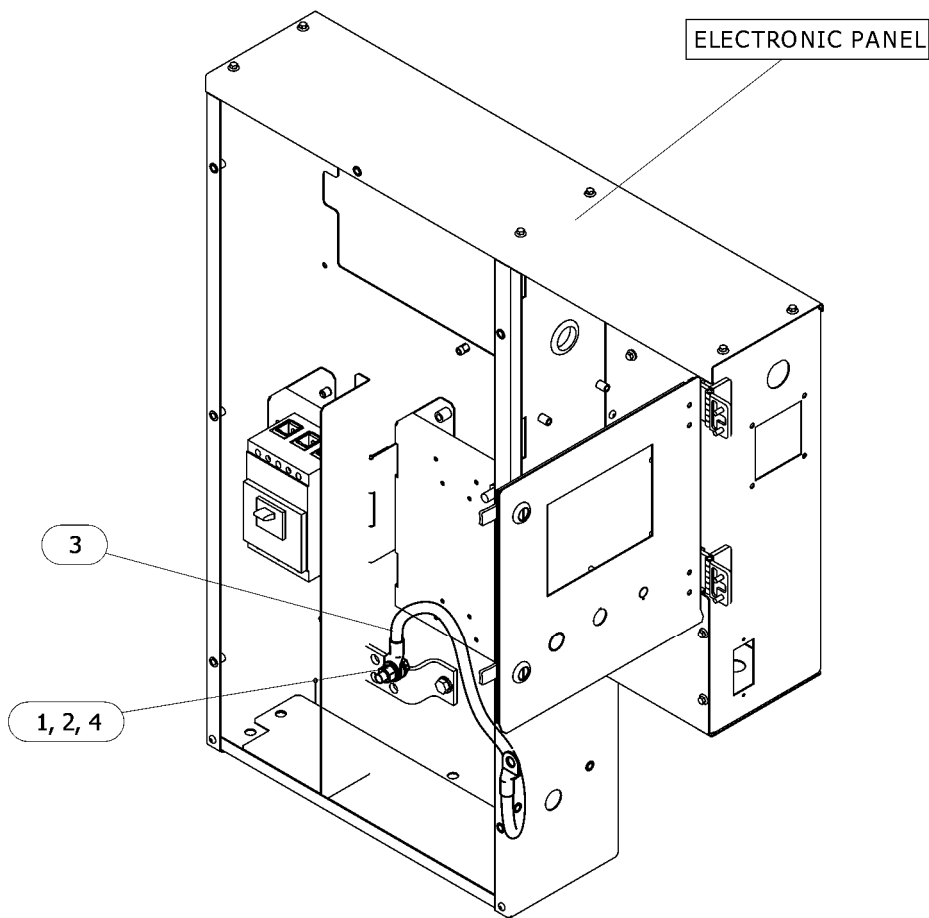
S/N: S341-UP  
800-AMPERE AND 600-AMPERE  
AN ATTACHMENT

SMCS-4460

i07905777

NOTE	REF NO	GRAPHIC REF	PART NUMBER	QTY	PART NAME						SEE PAGE
					1	2	3	4	5	6 (PRODUCT LEVEL)	
M	1	1	<b>362-1320</b>	1	BOLT (M12X1.75X35-MM)						
M	2	1	<b>329-3356</b>	1	NUT (M12X1.75-THD)						
	3	1	<b>583-1732</b>	1	CABLE AS						
		1	<b>5P-2600</b>	2	RING-TERMINAL (000-GA, 1/2-IN SCREW)						
	4	1	<b>8T-4223</b>	2	WASHER-HARD (13.5X25.5X3-MM THK)						

M - METRIC PART



GRAPHIC #1

<END>

g06475876

# GENERATORS

## 580-2212 CONNECTION GP-GENERATOR LEADS

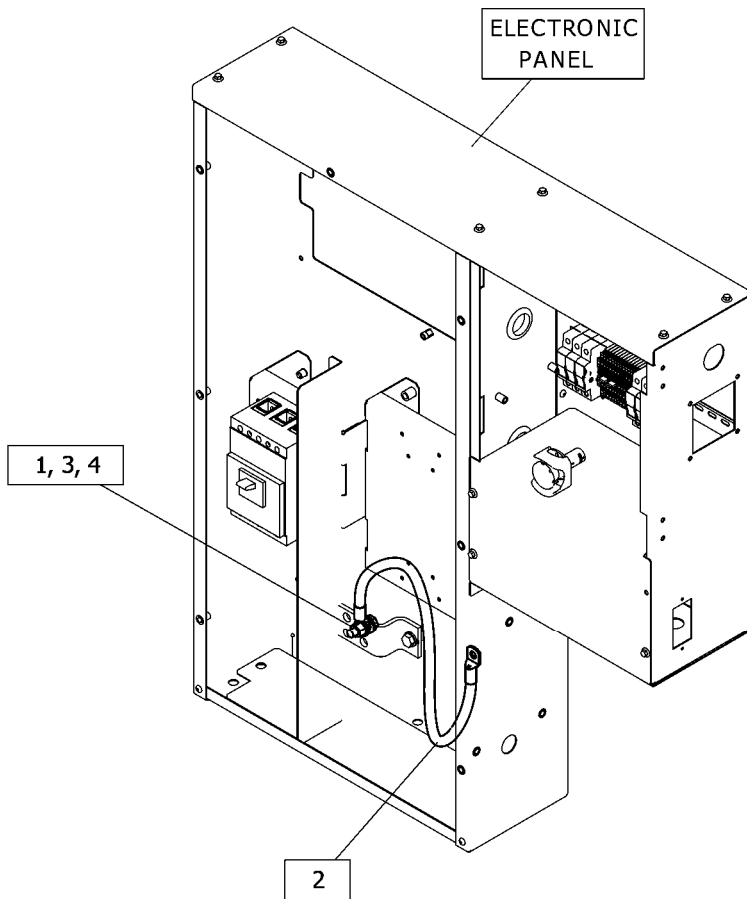
S/N: S341-UP  
400-AMPERE  
AN ATTACHMENT

SMCS-4460

i07845455

NOTE	REF NO	GRAPHIC REF	PART NUMBER	QTY	PART NAME						SEE PAGE
					1	2	3	4	5	6 (PRODUCT LEVEL)	
M	1	1	<b>329-3356</b>	1	NUT (M12X1.75-THD)						
	2	1	<b>583-1866</b>	1	CABLE AS						
		1	<b>1S-7251</b>	1	TERMINAL-CABLE (00-GA, 1/2-IN SCREW)						
		1	<b>277-5662</b>	1	TERMINAL						
	3	1	<b>8T-4223</b>	2	WASHER-HARD (13.5X25.5X3-MM THK)						
M	4	1	<b>8T-4956</b>	1	BOLT (M12X1.75X35-MM)						

M - METRIC PART



GRAPHIC #1

<END>

g06456637

# GENERATORS

## 580-2214 CONNECTION GP-GENERATOR LEADS

S/N: S341-UP  
250-AMPERE AND 100-AMPERE  
AN ATTACHMENT

**SMCS-4460**

**i07848611**

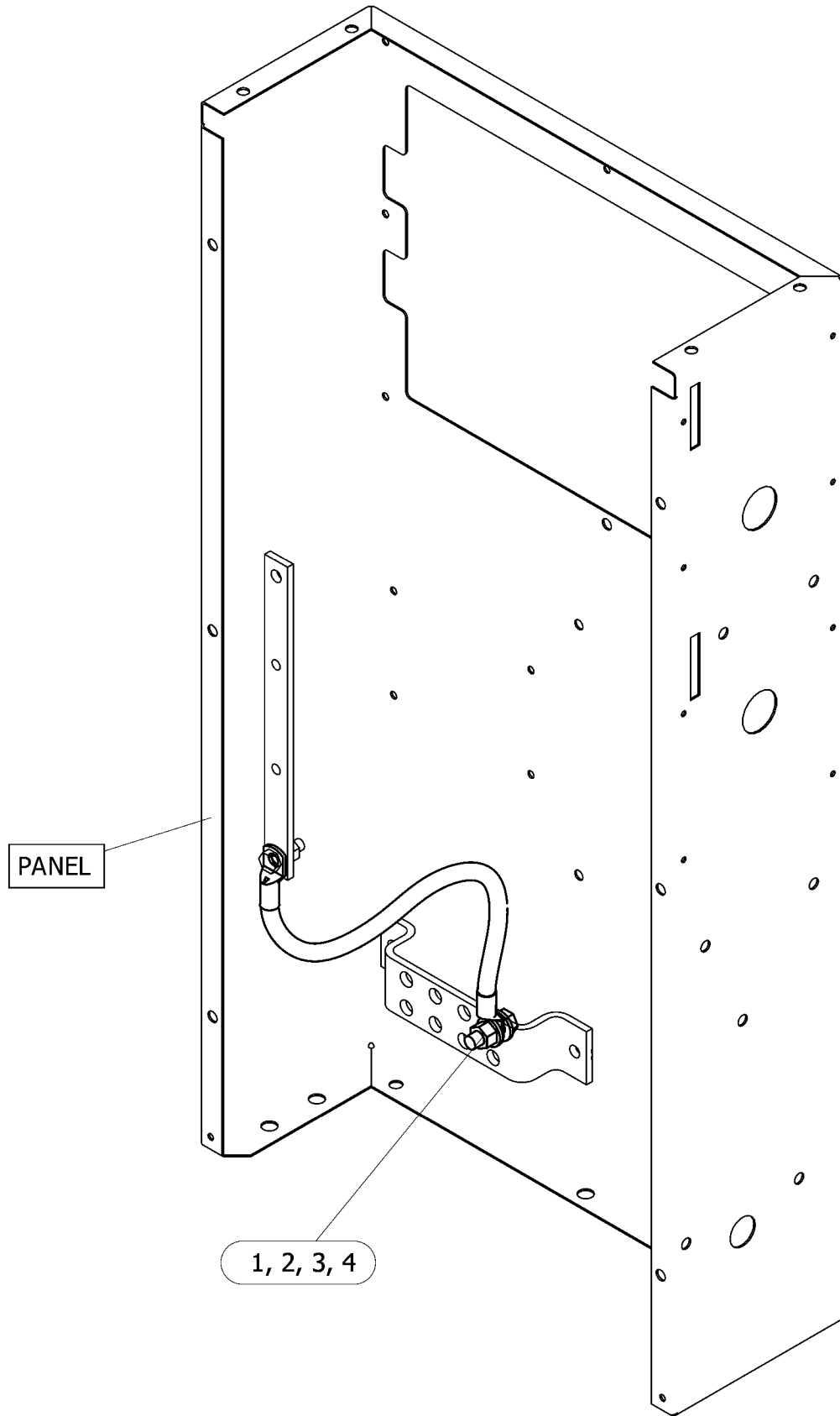
NOTE	REF NO	GRAPHIC REF	PART NUMBER	QTY	PART NAME						SEE PAGE
					1	2	3	4	5	6 (PRODUCT LEVEL)	
M	1	1	<b>329-3356</b>	1	NUT (M12X1.75-THD)						
	2	1	<b>580-2213</b>	1	CABLE AS						
		1	<b>1S-7251</b>	1	TERMINAL-CABLE (00-GA, 1/2-IN SCREW)						
		1	<b>277-5662</b>	1	TERMINAL						
	3	1	<b>8T-4223</b>	2	WASHER-HARD (13.5X25.5X3-MM THK)						
M	4	1	<b>362-1320</b>	1	BOLT (M12X1.75X35-MM)						

M - METRIC PART

# GENERATORS

580-2214 CONNECTION GP-GENERATOR LEADS (contd.)

107848611



GRAPHIC #1

<END>

g06459582

# GENERATORS

## 580-2215 CONNECTION GP-GENERATOR LEADS

S/N: S341-UP

GROUND

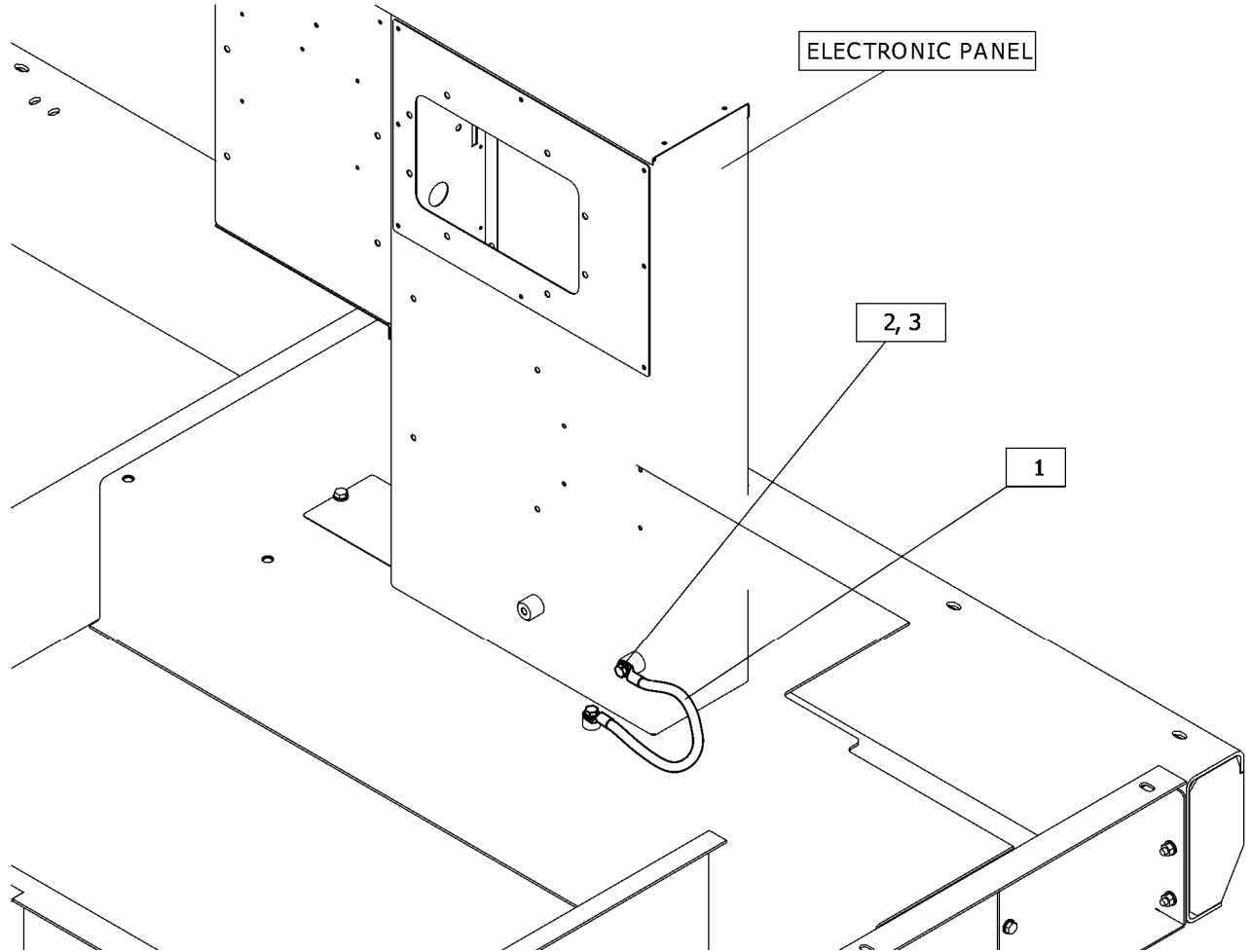
AN ATTACHMENT

SMCS-4460

i07848615

NOTE	REF NO	GRAPHIC REF	PART NUMBER	QTY	PART NAME						SEE PAGE
					1	2	3	4	5	6 (PRODUCT LEVEL)	
	1	1	<b>433-6710</b>	1	CABLE AS						
		1	<b>1S-7252</b>	2	TERMINAL-CABLE (00-GA, 3/8-IN SCREW)						
M	2	1	<b>7X-2621</b>	2	BOLT (M10X1.5X12-MM)						
	3	1	<b>8T-4121</b>	2	WASHER-HARD (11X21X2.5-MM THK)						

M - METRIC PART



GRAPHIC #1

<END>

g06459758

# GENERATORS

## 580-2218 CONNECTION GP-GENERATOR LEADS

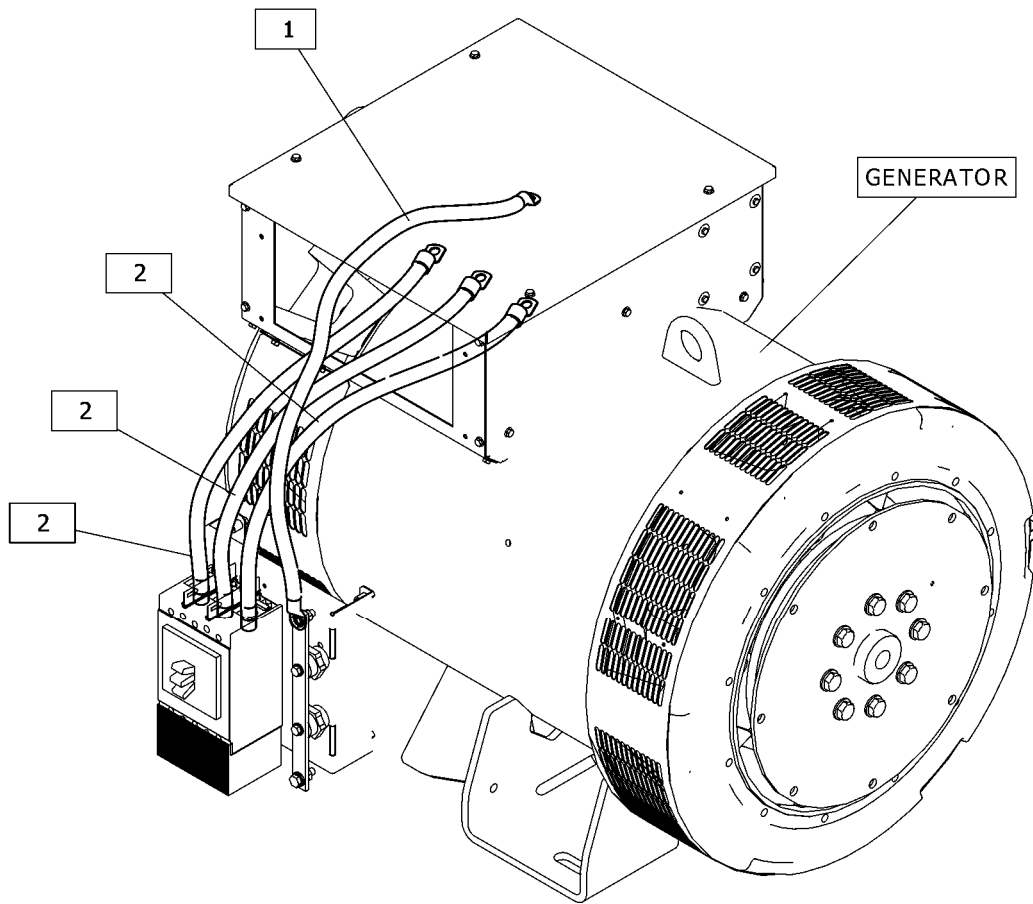
S/N: S341-UP  
400-AMPERE  
AN ATTACHMENT

SMCS-4460

i07867584

NOTE	REF NO	GRAPHIC REF	PART NUMBER	QTY	PART NAME						SEE PAGE
					1	2	3	4	5	6	
	1	1	393-2397	1	CABLE AS						
		1	3L-7634	2	TERMINAL-RING (0000-GA, 1/2-IN SCREW)						
E		1	314-6905		CABLE (0000-GA, BLACK) (100-CM)						
	2	1	572-8158	3	CABLE AS						
					(EACH INCLUDES)						
		1	3L-7634	1	TERMINAL-RING (0000-GA, 1/2-IN SCREW)						
E		1	314-6905		CABLE (0000-GA, BLACK) (68-CM)						

E - ORDER BY THE CENTIMETER



GRAPHIC #1

<END>

g06465849

# GENERATORS

## 580-2671 CONNECTION GP-GENERATOR LEADS

S/N: S341-UP

BATTERY

AN ATTACHMENT

SMCS-4460

i07848977

NOTE	REF NO	GRAPHIC REF	PART NUMBER	QTY	PART NAME						SEE PAGE
					1	2	3	4	5	6 (PRODUCT LEVEL)	
	1	1	<b>240-0465</b>	1	CABLE AS						
		1	<b>7N-5274</b>	1	COVER AS-TERMINAL (BLACK)						
		1	<b>8L-8413</b>	1	STRAP-CABLE (WHITE)						
		1	<b>7T-9987</b>	1	COVER AS-TERMINAL (RED)						
		1	<b>8L-8413</b>	1	STRAP-CABLE (WHITE)						
		1	<b>3S-6050</b>	1	TERMINAL AS-BATTERY (NEGATIVE)						
		1	<b>1M-6120</b>	1	NUT (5/16-18-THD)						
		1	<b>1M-6119</b>	1	BOLT (5/16-18X1.375-IN)						
		1	<b>3S-6049</b>	1	TERMINAL AS-BATTERY (POSITIVE)						
		1	<b>1M-6120</b>	1	NUT (5/16-18-THD)						
		1	<b>1M-6119</b>	1	BOLT (5/16-18X1.375-IN)						
E		1	<b>159-8050</b>		CABLE (00-GA, BLACK) (19-CM)						
	2	1	<b>348-8561</b>	1	CABLE AS						
		1	<b>356-5357</b>	1	TERMINAL AS						
		1	<b>1M-6119</b>	1	BOLT (5/16-18X1.375-IN)						
		1	<b>1M-6120</b>	1	NUT (5/16-18-THD)						
	3	1	<b>580-2672</b>	1	CABLE AS						
		1	<b>1S-7251</b>	1	TERMINAL-CABLE (00-GA, 1/2-IN SCREW)						
		1	<b>7T-9988</b>	1	COVER AS-TERMINAL (BLACK)						
		1	<b>8L-8413</b>	1	STRAP-CABLE (WHITE)						
		1	<b>9G-8909</b>	1	COVER-TERMINAL (BLACK)						
		1	<b>3S-6050</b>	1	TERMINAL AS-BATTERY (NEGATIVE)						
		1	<b>1M-6120</b>	1	NUT (5/16-18-THD)						
		1	<b>1M-6119</b>	1	BOLT (5/16-18X1.375-IN)						
E		1	<b>159-8050</b>		CABLE (00-GA, BLACK) (94-CM)						

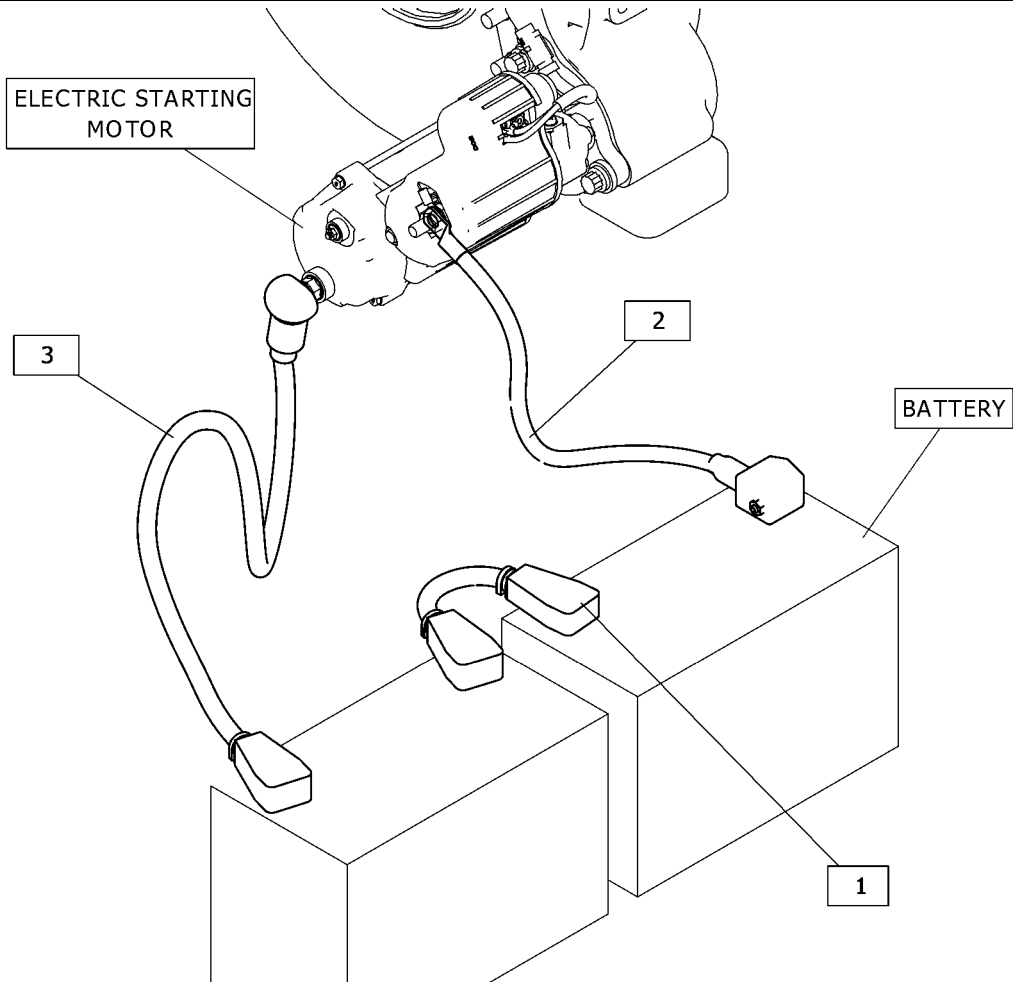
E - ORDER BY THE CENTIMETER



# GENERATORS

580-2671 CONNECTION GP-GENERATOR LEADS (contd.)

107848977



GRAPHIC #1

<END>

g06459719

# GENERATORS

## 577-8554 EXCITER GP

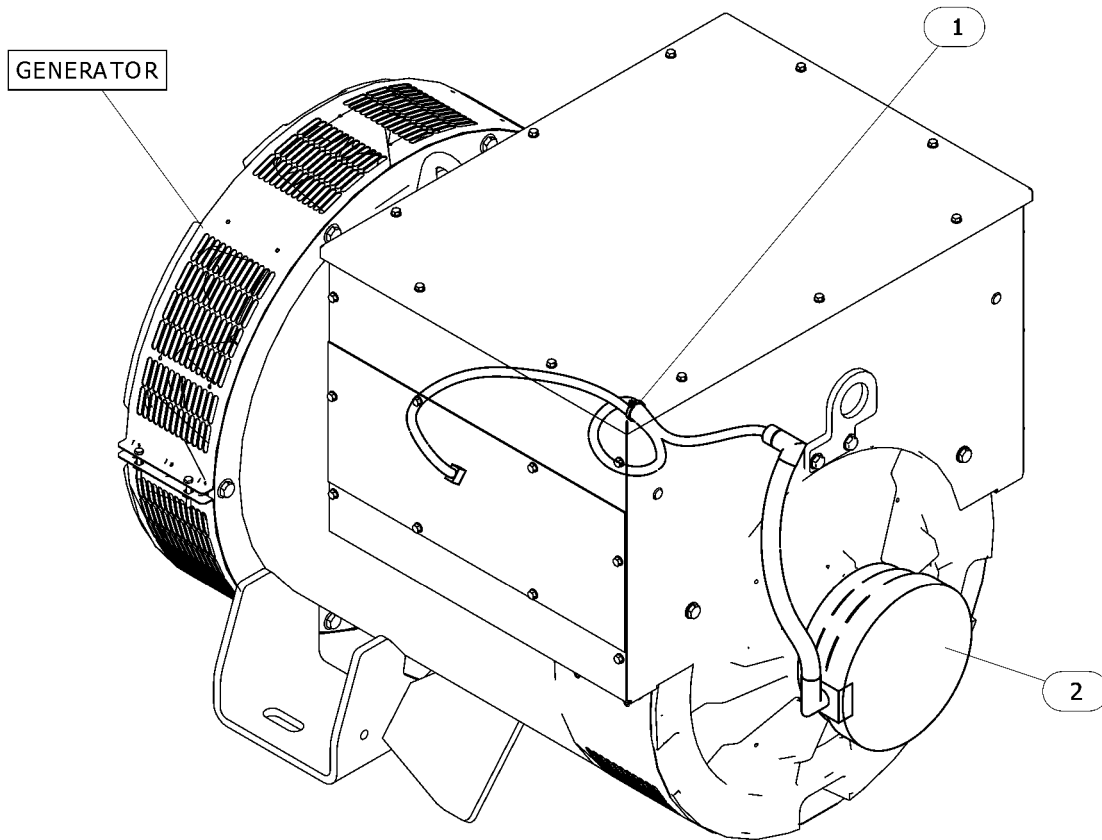
S/N: S341-UP

AN ATTACHMENT

SMCS-4454, 4470

i07836511

NOTE	REF NO	GRAPHIC REF	PART NUMBER	QTY	PART NAME						SEE PAGE
					1	2	3	4	5	6 (PRODUCT LEVEL)	
	1	1	<b>3S-2093</b>	1	STRAP-CABLE						
	2	1	<b>366-2203</b>	1	EXCITER AS (PERMANENT MAGNET)						



GRAPHIC #1

<END>

g06455655

# GENERATORS

## 565-2324 GENERATOR AR

S/N: S341-UP  
AN ATTACHMENT

SMCS-4450

i07833185

NOTE	PART NUMBER	QTY	PART NAME 1 2 3 4 5 6 (PRODUCT LEVEL)	SEE PAGE
Y	565-2325	1	GENERATOR GP	249

Y - SEPARATE ILLUSTRATION

<END>

## 565-2326 GENERATOR AR

S/N: S341-UP  
AN ATTACHMENT

SMCS-4450

i07833173

NOTE	PART NUMBER	QTY	PART NAME 1 2 3 4 5 6 (PRODUCT LEVEL)	SEE PAGE
Y	565-2327	1	GENERATOR GP	251

Y - SEPARATE ILLUSTRATION

<END>

## 570-8333 GENERATOR AR

S/N: S341-UP  
AN ATTACHMENT

SMCS-4450

i07832658

NOTE	PART NUMBER	QTY	PART NAME 1 2 3 4 5 6 (PRODUCT LEVEL)	SEE PAGE
Y	569-3843	1	GENERATOR GP	253

Y - SEPARATE ILLUSTRATION

<END>

## 570-8334 GENERATOR AR

S/N: S341-UP  
AN ATTACHMENT

SMCS-4450

i07833085

NOTE	PART NUMBER	QTY	PART NAME 1 2 3 4 5 6 (PRODUCT LEVEL)	SEE PAGE
Y	569-3844	1	GENERATOR GP	255

Y - SEPARATE ILLUSTRATION

<END>

## 565-2324 GENERATOR AR

S/N: MFE1-UP; MHE1-UP

SMCS-4450

i07916205

NOTE	PART NUMBER	QTY	PART NAME 1 2 3 4 5 6 (PRODUCT LEVEL)	SEE PAGE
Y	565-2325	1	GENERATOR GP	249

Y - SEPARATE ILLUSTRATION

<END>

# GENERATORS

## 565-2326 GENERATOR AR

S/N: MFE1-UP; MHE1-UP

SMCS-4450

i07916219

NOTE	PART NUMBER	QTY	PART NAME 1 2 3 4 5 6 (PRODUCT LEVEL)	SEE PAGE
Y	565-2327	1	GENERATOR GP	251

Y - SEPARATE ILLUSTRATION

<END>

## 565-2329 GENERATOR AR

S/N: MFE1-UP; MHE1-UP

SMCS-4450

i07916222

NOTE	PART NUMBER	QTY	PART NAME 1 2 3 4 5 6 (PRODUCT LEVEL)	SEE PAGE
Y	565-2330	1	GENERATOR GP	261

Y - SEPARATE ILLUSTRATION

<END>

## 565-2331 GENERATOR AR

S/N: MFE1-UP; MHE1-UP

SMCS-4450

i07916224

NOTE	PART NUMBER	QTY	PART NAME 1 2 3 4 5 6 (PRODUCT LEVEL)	SEE PAGE
Y	565-2332	1	GENERATOR GP	263

Y - SEPARATE ILLUSTRATION

<END>

## 565-2334 GENERATOR AR

S/N: MHE1-UP

50/60-HERTZ

SMCS-4450

i07916228

NOTE	PART NUMBER	QTY	PART NAME 1 2 3 4 5 6 (PRODUCT LEVEL)	SEE PAGE
Y	565-2335	1	GENERATOR GP	265

Y - SEPARATE ILLUSTRATION

<END>

## 565-2336 GENERATOR AR

S/N: MHE1-UP

50/60-HERTZ

SMCS-4450

i07916230

NOTE	PART NUMBER	QTY	PART NAME 1 2 3 4 5 6 (PRODUCT LEVEL)	SEE PAGE
Y	565-2337	1	GENERATOR GP	267

Y - SEPARATE ILLUSTRATION

<END>

# GENERATORS

## 565-5480 GENERATOR AR

S/N: MFE1-UP

SMCS-4450

i07916233

NOTE	PART NUMBER	QTY	PART NAME 1 2 3 4 5 6 (PRODUCT LEVEL)	SEE PAGE
Y	565-5481	1	GENERATOR GP	269

Y - SEPARATE ILLUSTRATION

<END>

## 570-8333 GENERATOR AR

S/N: MFE1-UP; MHE1-UP

SMCS-4450

i07916238

NOTE	PART NUMBER	QTY	PART NAME 1 2 3 4 5 6 (PRODUCT LEVEL)	SEE PAGE
Y	569-3843	1	GENERATOR GP	253

Y - SEPARATE ILLUSTRATION

<END>

## 570-8336 GENERATOR AR

S/N: MFE1-UP; MHE1-UP

SMCS-4450

i07916240

NOTE	PART NUMBER	QTY	PART NAME 1 2 3 4 5 6 (PRODUCT LEVEL)	SEE PAGE
Y	569-3845	1	GENERATOR GP	273

Y - SEPARATE ILLUSTRATION

<END>

## 570-8338 GENERATOR AR

S/N: MHE1-UP

SMCS-4450

i07916243

NOTE	PART NUMBER	QTY	PART NAME 1 2 3 4 5 6 (PRODUCT LEVEL)	SEE PAGE
Y	569-3847	1	GENERATOR GP	275

Y - SEPARATE ILLUSTRATION

<END>

# GENERATORS

## 565-2325 GENERATOR GP

S/N: S341-UP

50/60-HERTZ, 1500/1800-RPM. RANDOM WOUND, 1-BEARING  
PART OF 565-2324 GENERATOR AR  
AN ATTACHMENT

**SMCS-4450**

**i07833184**

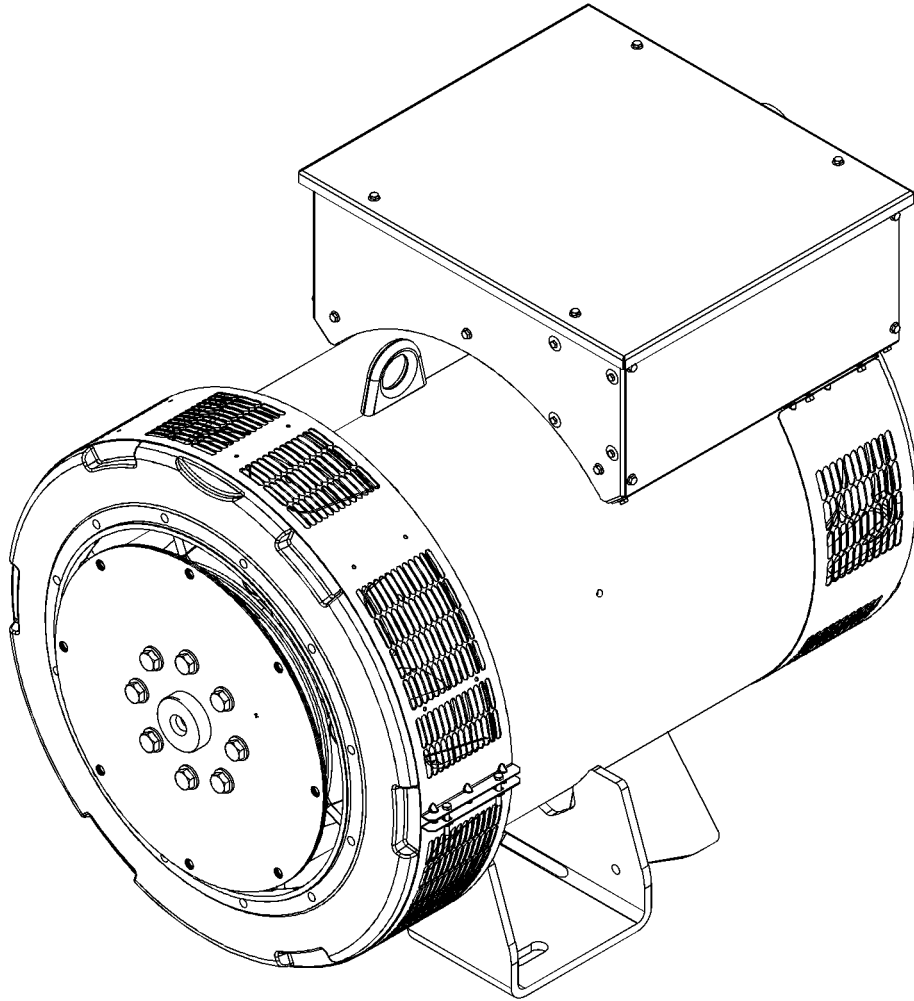
NOTE	REF NO	GRAPHIC REF	PART NUMBER	QTY	PART NAME						SEE PAGE
					1	2	3	4	5	6 (PRODUCT LEVEL)	
F			<b>241-4597</b>	5	RING						
F			<b>241-4606</b>	1	SUPPORT-DIODE						
F			<b>241-4614</b>	1	HUB						
F			<b>241-4619</b>	1	DIODE AS						
F			<b>241-4620</b>	1	VARISTOR						
F			<b>241-4622</b>	5	SEAL-O-RING						
F			<b>243-5220</b>	1	BEARING						
F			<b>493-2401</b>	1	FAN (15-BLADE)						
F			<b>493-2406</b>	1	BRACKET						
F			<b>493-2407</b>	1	ADAPTER						
F			<b>493-2432</b>	1	SCREEN (AIR EXIT)						
F			<b>493-2433</b>	1	BRACKET						
F			<b>493-2434</b>	1	PANEL-TERMINAL BOX						
F			<b>493-2435</b>	1	PANEL-TERMINAL BOX						
F			<b>493-2436</b>	1	COVER						
F			<b>493-2437</b>	1	SCREEN (AIR INLET)						
F			<b>493-2439</b>	1	CAP-BEARING						
F			<b>493-2440</b>	1	STATOR-EXCITER						
F			<b>493-2441</b>	1	ROTOR-EXCITER						
F			<b>493-2442</b>	1	PLATE						
F			<b>493-2444</b>	1	TERMINAL (NEUTRAL)						
F			<b>241-4616</b>	1	DISC						
F			<b>493-2831</b>	1	PANEL-TERMINAL BOX						
F			<b>497-9900</b>	1	PANEL-TERMINAL BOX						

F - NOT SHOWN

# GENERATORS

565-2325 GENERATOR GP (contd.)

107833184



GRAPHIC #1

<END>

g06451764

# GENERATORS

## 565-2327 GENERATOR GP

S/N: S341-UP

50/60-HERTZ, 1500/1800-RPM. RANDOM WOUND, 1-BEARING

PART OF 565-2326 GENERATOR AR

AN ATTACHMENT

SMCS-4450

i07833175

NOTE	REF NO	GRAPHIC REF	PART NUMBER	QTY	PART NAME						SEE PAGE
					1	2	3	4	5	6 (PRODUCT LEVEL)	
F			241-4597	5	RING						
F			241-4606	1	SUPPORT-DIODE						
F			241-4614	1	HUB						
F			241-4619	1	DIODE AS						
F			241-4620	1	VARISTOR						
F			241-4622	5	SEAL-O-RING						
F			243-5220	1	BEARING						
F			493-2401	1	FAN (15-BLADE)						
F			493-2406	1	BRACKET						
F			493-2407	1	ADAPTER						
F			493-2432	1	SCREEN (AIR EXIT)						
F			493-2433	1	BRACKET						
F			493-2434	1	PANEL-TERMINAL BOX (TERMINAL BOX)						
F			493-2435	1	PANEL-TERMINAL BOX (TERMINAL BOX)						
F			493-2436	1	COVER (TERMINAL BOX)						
F			493-2437	1	SCREEN (AIR INLET)						
F			493-2439	1	CAP-BEARING						
F			493-2440	1	STATOR-EXCITER						
F			493-2441	1	ROTOR-EXCITER						
F			493-2442	1	PLATE (TERMINAL)						
F			493-2444	1	TERMINAL (NEUTRAL)						
F			493-2446	1	DISC-COUPLING						
F			493-2831	1	PANEL-TERMINAL BOX (TERMINAL BOX)						
F			497-9900	1	PANEL-TERMINAL BOX (TERMINAL BOX)						

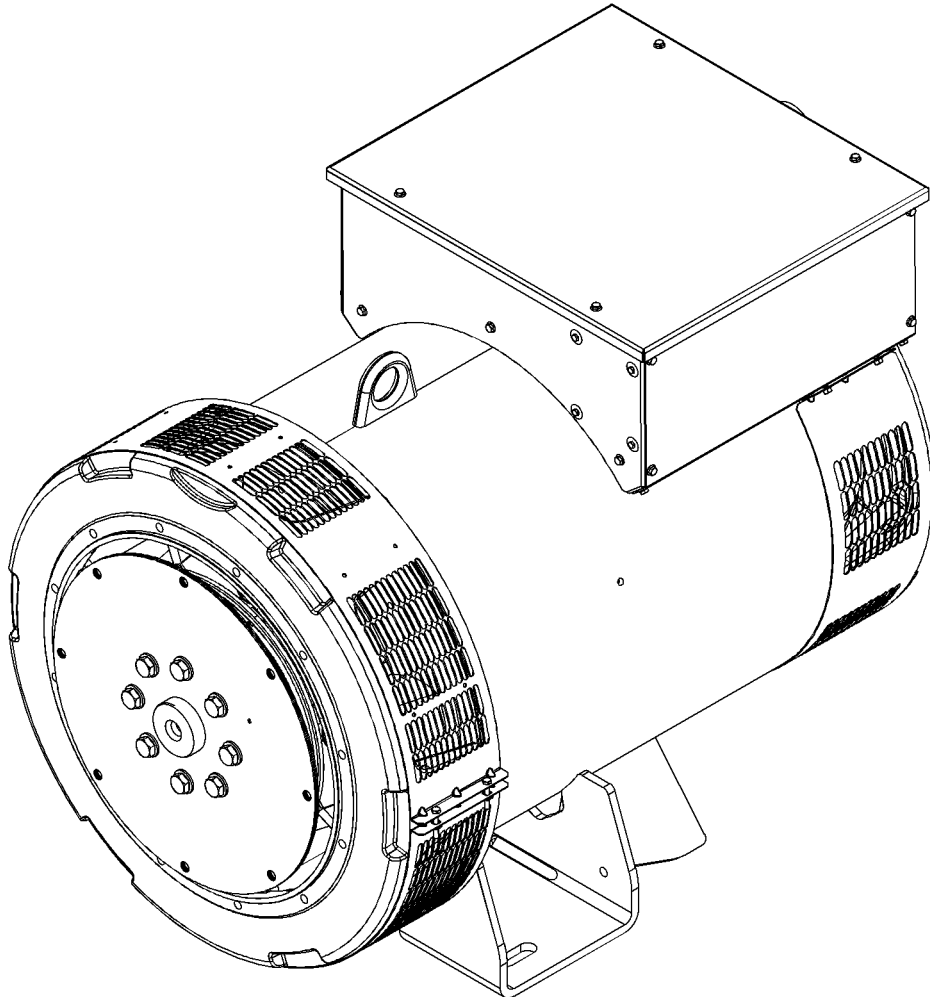
F - NOT SHOWN



# GENERATORS

565-2327 GENERATOR GP (contd.)

107833175



GRAPHIC #1

<END>

g06451898

# GENERATORS

## 569-3843 GENERATOR GP

S/N: S341-UP

50/60-HERTZ, 1500/1800-RPM. RANDOM WOUND, 1-BEARING

PART OF 570-8333 GENERATOR AR

AN ATTACHMENT

SMCS-4450

i07832650

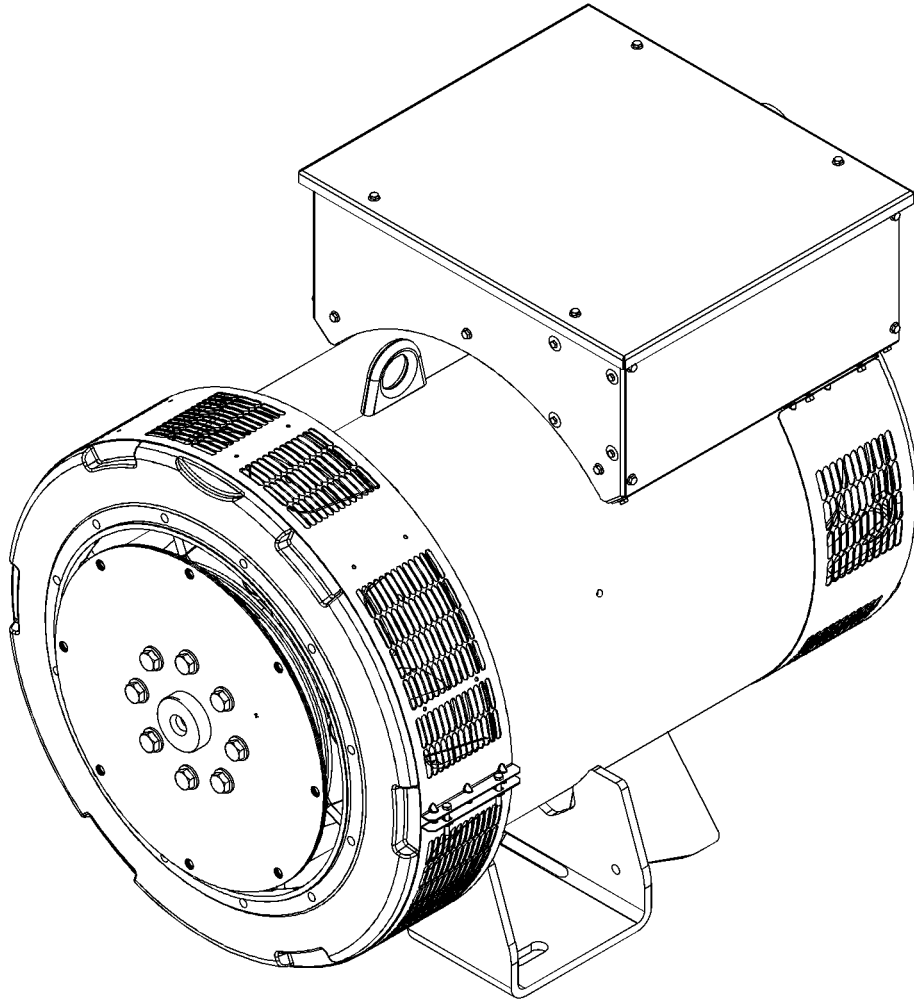
NOTE	REF NO	GRAPHIC REF	PART NUMBER	QTY	PART NAME						SEE PAGE
					1	2	3	4	5	6 (PRODUCT LEVEL)	
F			241-4597	5	RING						
F			241-4606	1	SUPPORT-DIODE						
F			241-4614	1	HUB						
F			241-4619	1	DIODE AS						
F			241-4620	1	VARISTOR						
F			241-4622	5	SEAL-O-RING						
F			243-5220	1	BEARING						
F			493-2401	1	FAN (15-BLADE)						
F			493-2406	1	BRACKET						
F			493-2407	1	ADAPTER						
F			493-2432	1	SCREEN (AIR EXIT)						
F			493-2433	1	BRACKET						
F			493-2434	1	PANEL-TERMINAL BOX						
F			493-2435	1	PANEL-TERMINAL BOX						
F			493-2436	1	COVER						
F			493-2437	1	SCREEN (AIR INLET)						
F			493-2439	1	CAP-BEARING						
F			493-2440	1	STATOR-EXCITER						
F			493-2441	1	ROTOR-EXCITER						
F			493-2442	1	PLATE						
F			493-2444	1	TERMINAL (NEUTRAL)						
F			493-2446	1	DISC-COUPLING						
F			493-2831	1	PANEL-TERMINAL BOX						
F			497-9900	1	PANEL-TERMINAL BOX						

F - NOT SHOWN

# GENERATORS

569-3843 GENERATOR GP (contd.)

107832650



GRAPHIC #1

<END>

g06451764

# GENERATORS

## 569-3844 GENERATOR GP

S/N: S341-UP

50/60-HERTZ, 1500/1800-RPM. RANDOM WOUND, 1-BEARING  
PART OF 570-8334 GENERATOR AR  
AN ATTACHMENT

SMCS-4450

i07833083

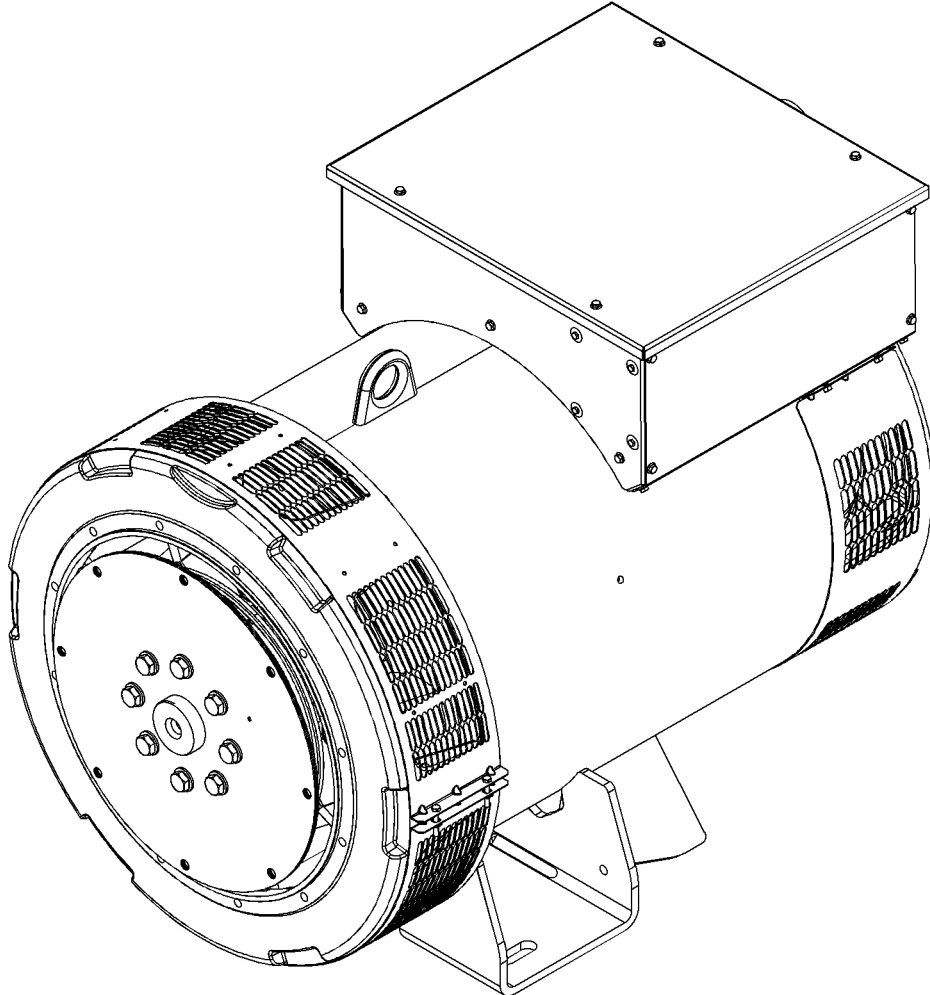
NOTE	REF NO	GRAPHIC REF	PART NUMBER	QTY	PART NAME						SEE PAGE
					1	2	3	4	5	6 (PRODUCT LEVEL)	
F			241-4597	5	RING						
F			241-4606	1	SUPPORT-DIODE						
F			241-4614	1	HUB						
F			241-4619	1	DIODE AS						
F			241-4620	1	VARISTOR						
F			241-4622	5	SEAL-O-RING						
F			243-5220	1	BEARING						
F			493-2401	1	FAN (15-BLADE)						
F			493-2406	1	BRACKET						
F			493-2407	1	ADAPTER						
F			493-2432	1	SCREEN (AIR EXIT)						
F			493-2433	1	BRACKET						
F			493-2434	1	PANEL-TERMINAL BOX (TERMINAL BOX)						
F			493-2435	1	PANEL-TERMINAL BOX (TERMINAL BOX)						
F			493-2436	1	COVER (TERMINAL BOX)						
F			493-2437	1	SCREEN (AIR INLET)						
F			493-2439	1	CAP-BEARING						
F			493-2440	1	STATOR-EXCITER						
F			493-2441	1	ROTOR-EXCITER						
F			493-2442	1	PLATE (TERMINAL)						
F			493-2444	1	TERMINAL (NEUTRAL)						
F			493-2446	1	DISC-COUPLING						
F			493-2831	1	PANEL-TERMINAL BOX (TERMINAL BOX)						
F			497-9900	1	PANEL-TERMINAL BOX (TERMINAL BOX)						

F - NOT SHOWN

# GENERATORS

569-3844 GENERATOR GP (contd.)

107833083



GRAPHIC #1

<END>

g06451894

# GENERATORS

## 565-2325 GENERATOR GP

S/N: MFE1-UP; MHE1-UP  
 50/60-HERTZ, 1500/1800-RPM. RANDOM WOUND, 1-BEARING  
 PART OF 565-2324 GENERATOR AR

SMCS-4450

i07916246

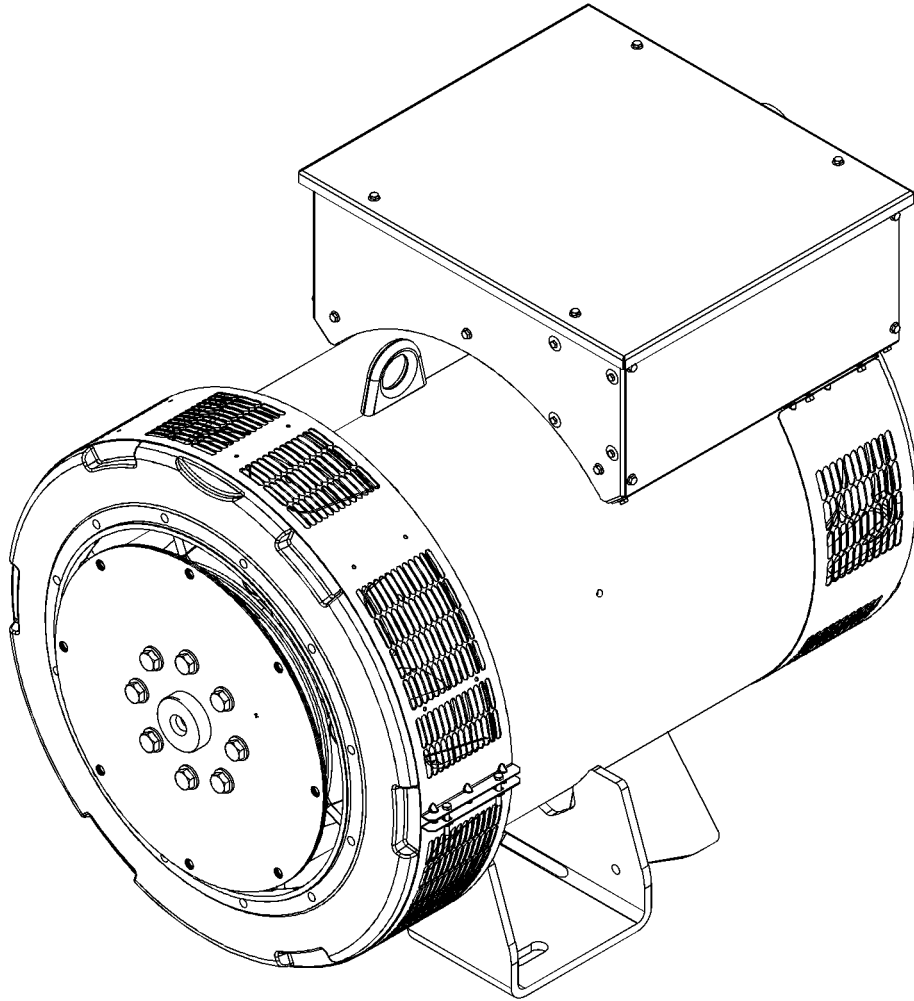
NOTE	REF NO	GRAPHIC REF	PART NUMBER	QTY	PART NAME						SEE PAGE
					1	2	3	4	5	6 (PRODUCT LEVEL)	
F			241-4597	5	RING						
F			241-4606	1	SUPPORT-DIODE						
F			241-4614	1	HUB						
F			241-4619	1	DIODE AS						
F			241-4620	1	VARISTOR						
F			241-4622	5	SEAL-O-RING						
F			243-5220	1	BEARING						
F			493-2401	1	FAN (15-BLADE)						
F			493-2406	1	BRACKET						
F			493-2407	1	ADAPTER						
F			493-2432	1	SCREEN (AIR EXIT)						
F			493-2433	1	BRACKET						
F			493-2434	1	PANEL-TERMINAL BOX						
F			493-2435	1	PANEL-TERMINAL BOX						
F			493-2436	1	COVER						
F			493-2437	1	SCREEN (AIR INLET)						
F			493-2439	1	CAP-BEARING						
F			493-2440	1	STATOR-EXCITER						
F			493-2441	1	ROTOR-EXCITER						
F			493-2442	1	PLATE						
F			493-2444	1	TERMINAL (NEUTRAL)						
F			241-4616	1	DISC						
F			493-2831	1	PANEL-TERMINAL BOX						
F			497-9900	1	PANEL-TERMINAL BOX						

F - NOT SHOWN

# GENERATORS

565 - 2325 GENERATOR GP (contd.)

107916246



GRAPHIC #1

<END>

g06451764

# GENERATORS

## 565-2327 GENERATOR GP

S/N: MFE1-UP; MHE1-UP  
 50/60-HERTZ, 1500/1800-RPM. RANDOM WOUND, 1-BEARING  
 PART OF 565-2326 GENERATOR AR

SMCS-4450

i07916248

NOTE	REF NO	GRAPHIC REF	PART NUMBER	QTY	PART NAME						SEE PAGE
					1	2	3	4	5	6 (PRODUCT LEVEL)	
F			241-4597	5	RING						
F			241-4606	1	SUPPORT-DIODE						
F			241-4614	1	HUB						
F			241-4619	1	DIODE AS						
F			241-4620	1	VARISTOR						
F			241-4622	5	SEAL-O-RING						
F			243-5220	1	BEARING						
F			493-2401	1	FAN (15-BLADE)						
F			493-2406	1	BRACKET						
F			493-2407	1	ADAPTER						
F			493-2432	1	SCREEN (AIR EXIT)						
F			493-2433	1	BRACKET						
F			493-2434	1	PANEL-TERMINAL BOX (TERMINAL BOX)						
F			493-2435	1	PANEL-TERMINAL BOX (TERMINAL BOX)						
F			493-2436	1	COVER (TERMINAL BOX)						
F			493-2437	1	SCREEN (AIR INLET)						
F			493-2439	1	CAP-BEARING						
F			493-2440	1	STATOR-EXCITER						
F			493-2441	1	ROTOR-EXCITER						
F			493-2442	1	PLATE (TERMINAL)						
F			493-2444	1	TERMINAL (NEUTRAL)						
F			493-2446	1	DISC-COUPLING						
F			493-2831	1	PANEL-TERMINAL BOX (TERMINAL BOX)						
F			497-9900	1	PANEL-TERMINAL BOX (TERMINAL BOX)						

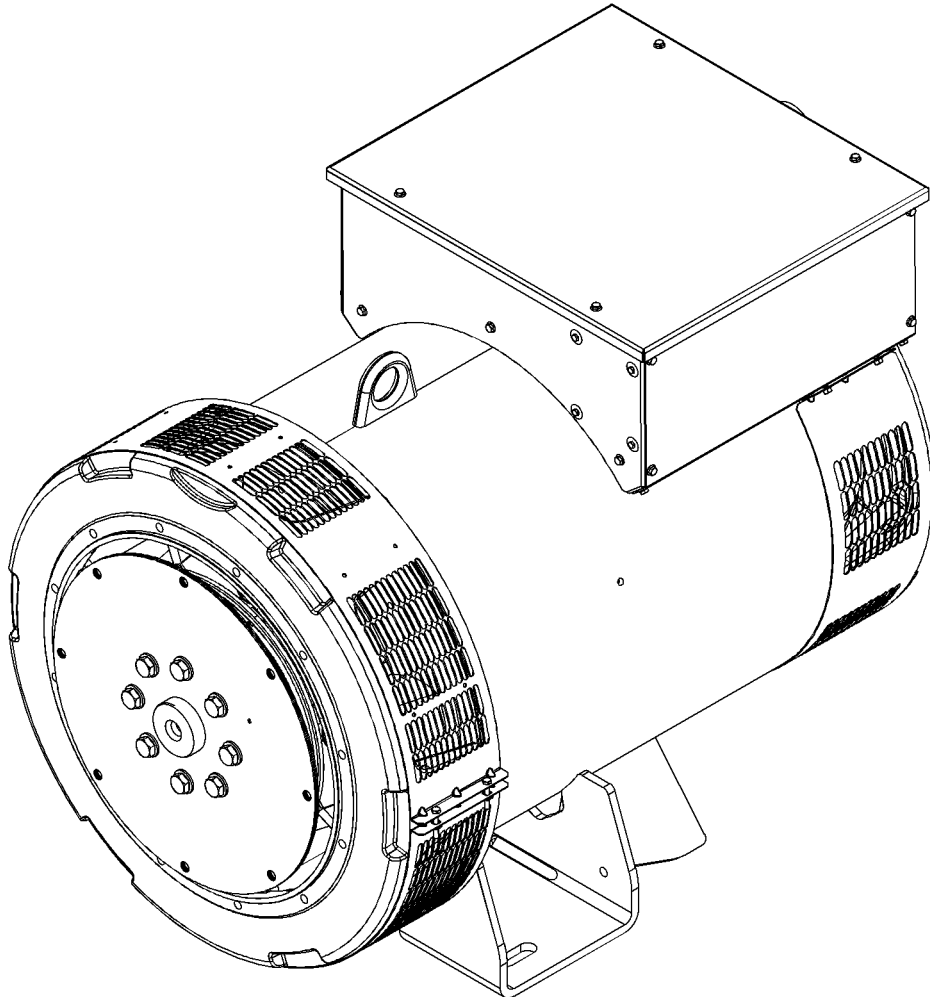
F - NOT SHOWN



# GENERATORS

565-2327 GENERATOR GP (contd.)

107916248



GRAPHIC #1

<END>

g06451898

# GENERATORS

## 565-2330 GENERATOR GP

S/N: MFE1-UP; MHE1-UP  
 50/60-HERTZ, 1500/1800-RPM. RANDOM WOUND, 1-BEARING  
 PART OF 565-2329 GENERATOR AR

SMCS-4450

i07916254

NOTE	REF NO	GRAPHIC REF	PART NUMBER	QTY	PART NAME						SEE PAGE
					1	2	3	4	5	6 (PRODUCT LEVEL)	
F			241-4597	5	RING						
F			241-4606	1	SUPPORT-DIODE						
F			241-4614	1	HUB						
F			241-4619	1	DIODE AS						
F			241-4620	1	VARISTOR						
F			241-4622	5	SEAL-O-RING						
F			243-5220	1	BEARING						
F			493-2401	1	FAN (15-BLADE)						
F			493-2406	1	BRACKET						
F			493-2407	1	ADAPTER						
F			493-2432	1	SCREEN (AIR EXIT)						
F			493-2433	1	BRACKET						
F			493-2434	1	PANEL-TERMINAL BOX (TERMINAL BOX)						
F			493-2435	1	PANEL-TERMINAL BOX (TERMINAL BOX)						
F			493-2436	1	COVER (TERMINAL BOX)						
F			493-2437	1	SCREEN (AIR INLET)						
F			493-2439	1	CAP-BEARING						
F			493-2440	1	STATOR-EXCITER						
F			493-2441	1	ROTOR-EXCITER						
F			493-2442	1	PLATE (TERMINAL)						
F			493-2444	1	TERMINAL (NEUTRAL)						
F			493-2446	1	DISC-COUPLING						
F			493-2831	1	PANEL-TERMINAL BOX (TERMINAL BOX)						
F			497-9900	1	PANEL-TERMINAL BOX (TERMINAL BOX)						

F - NOT SHOWN